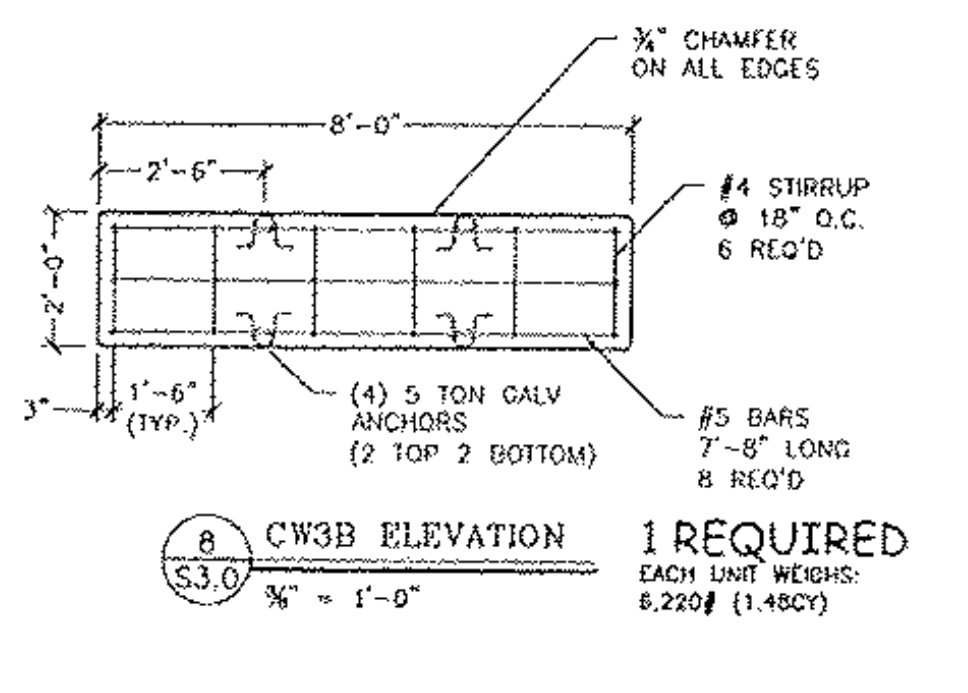
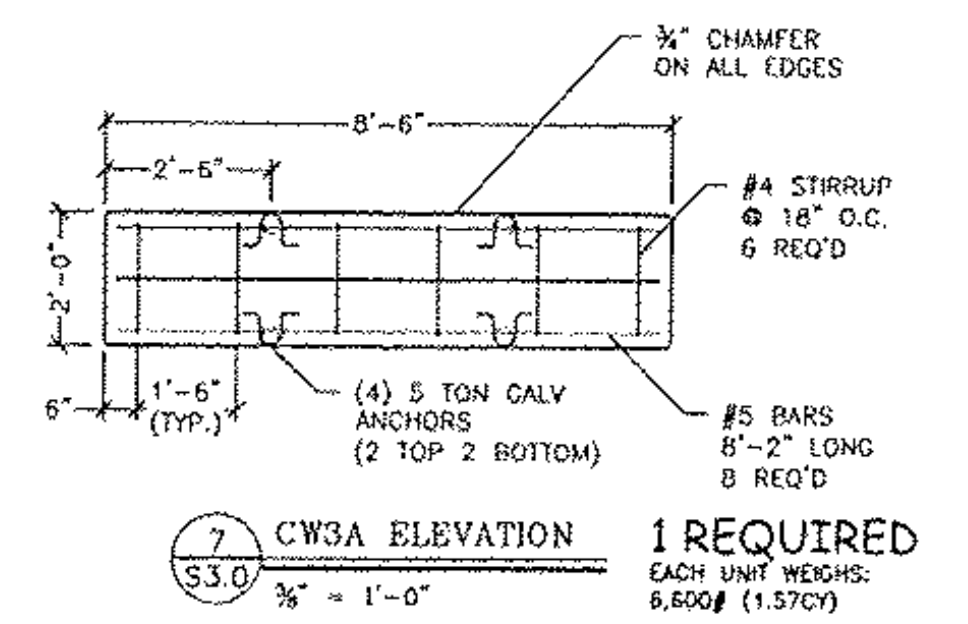
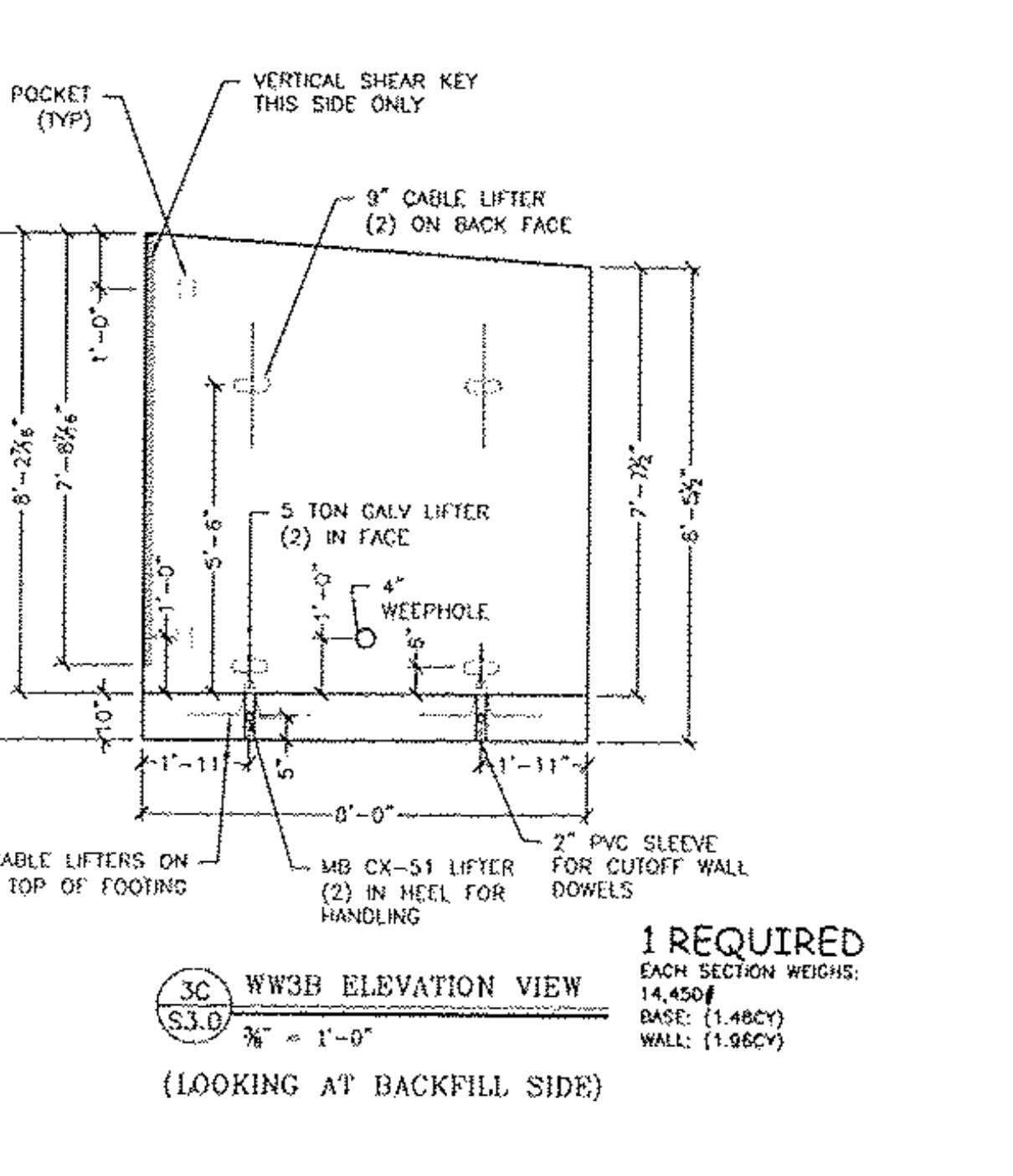
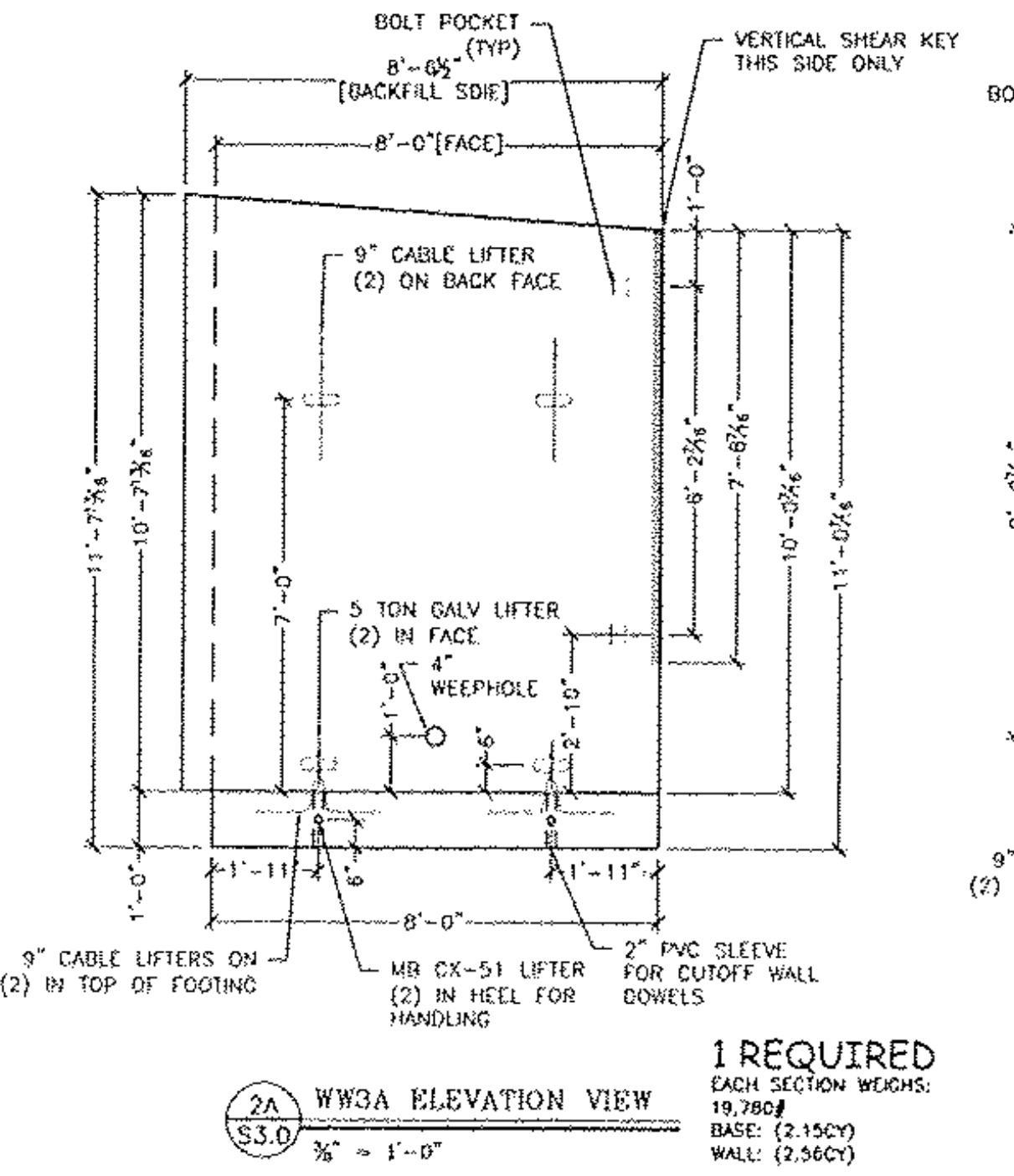
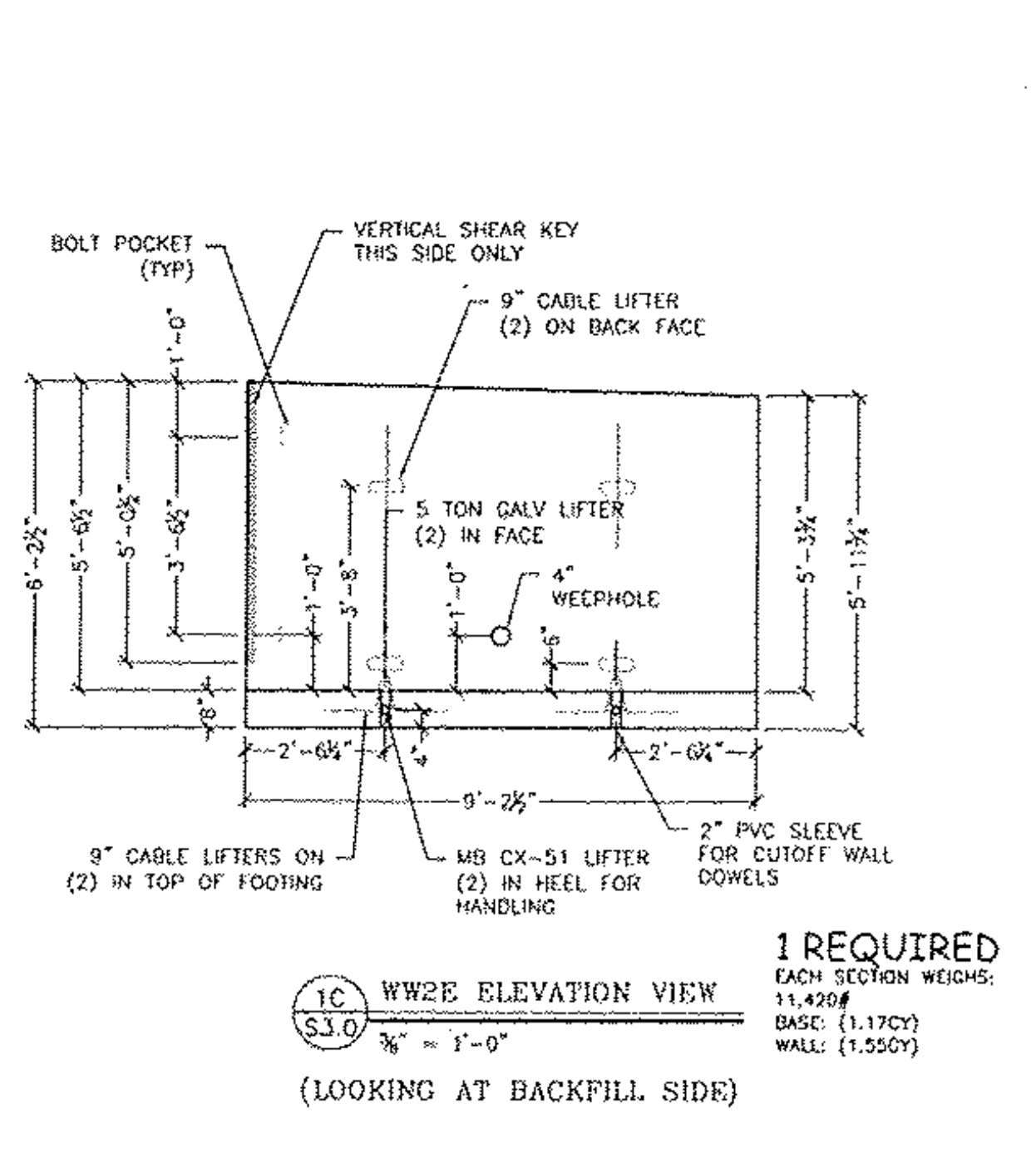
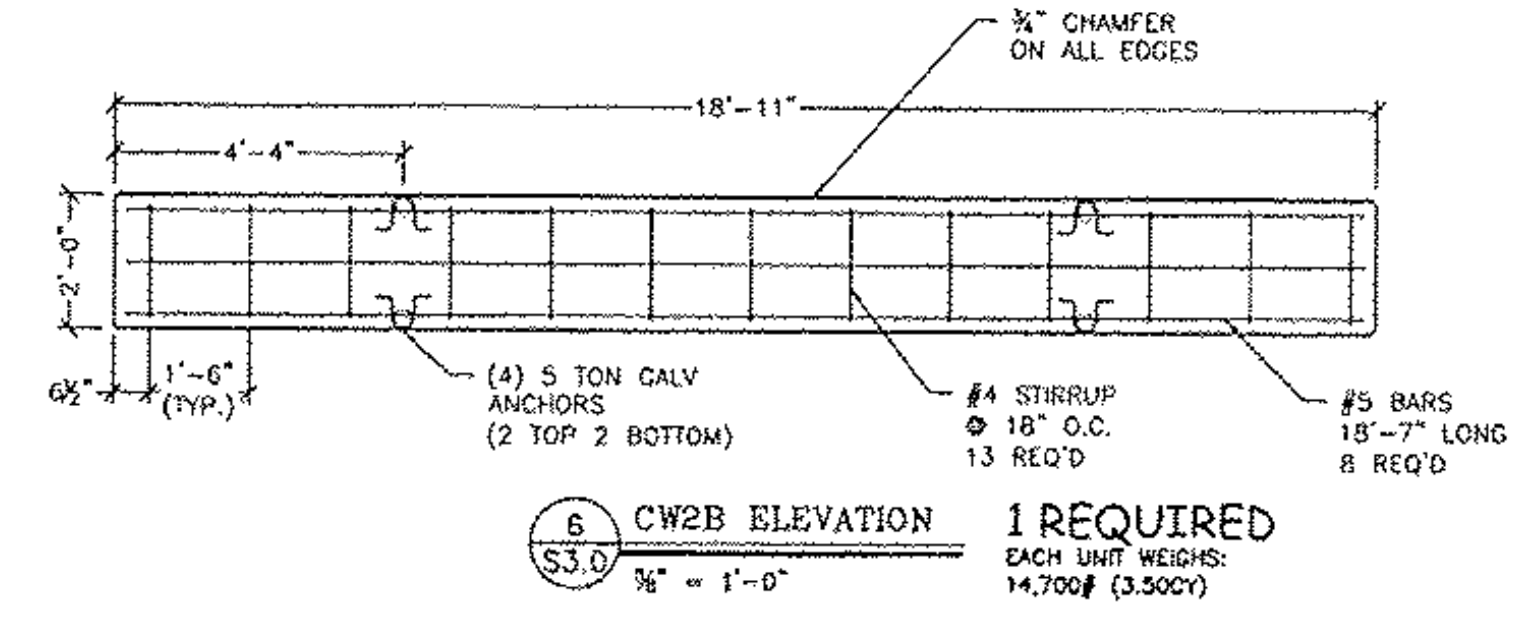
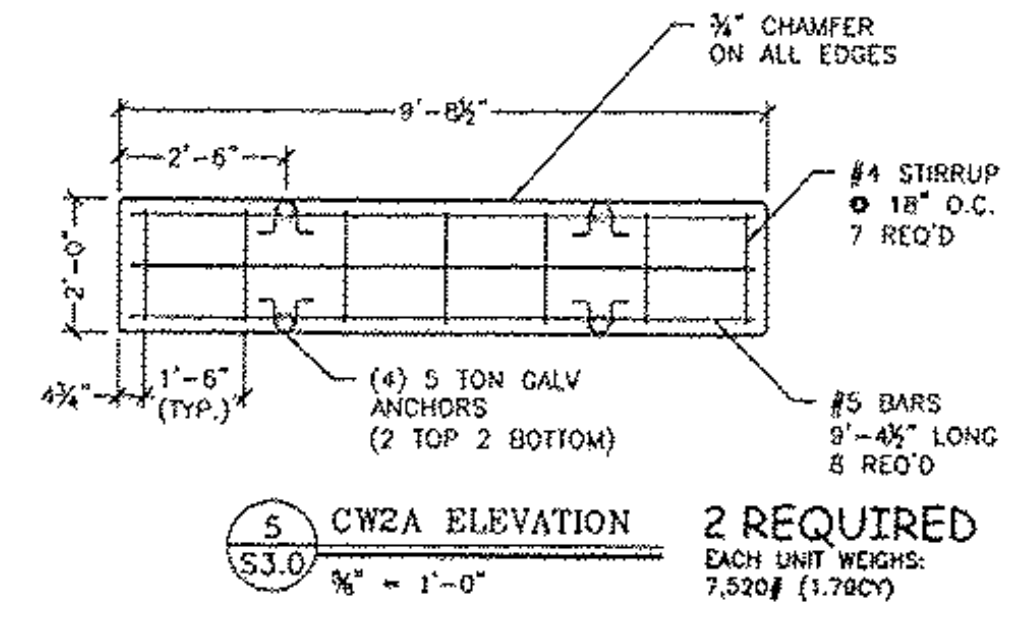
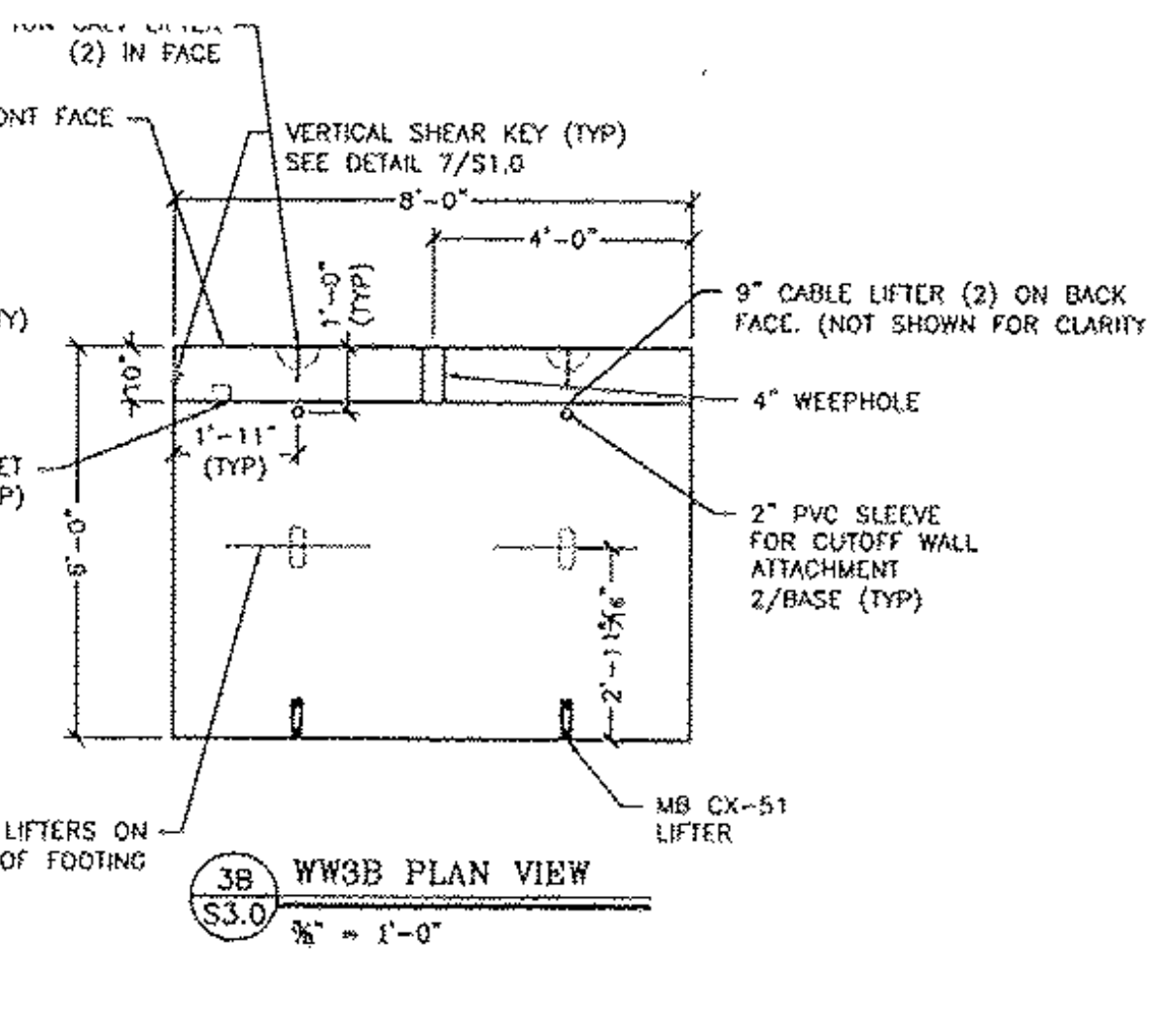
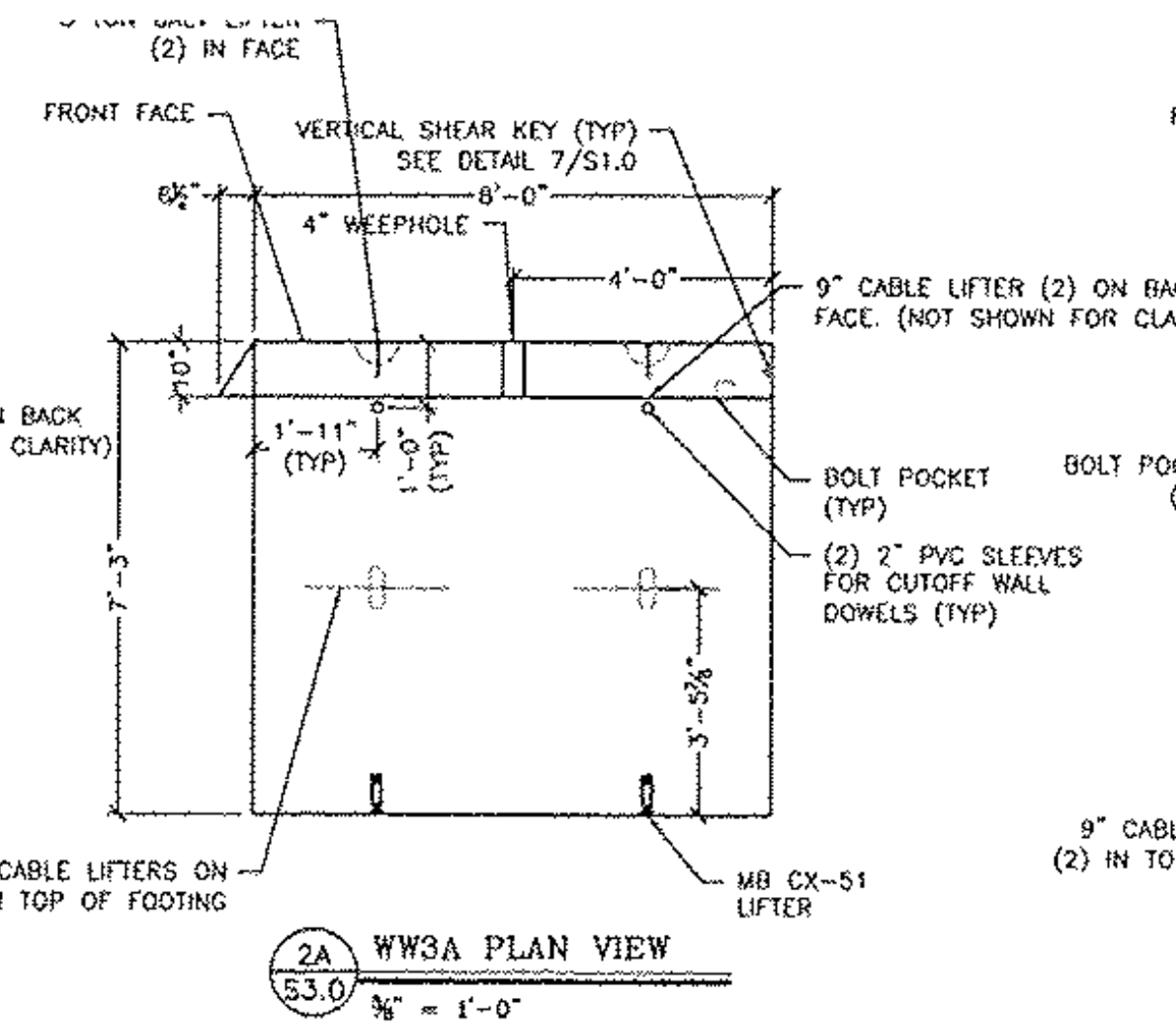
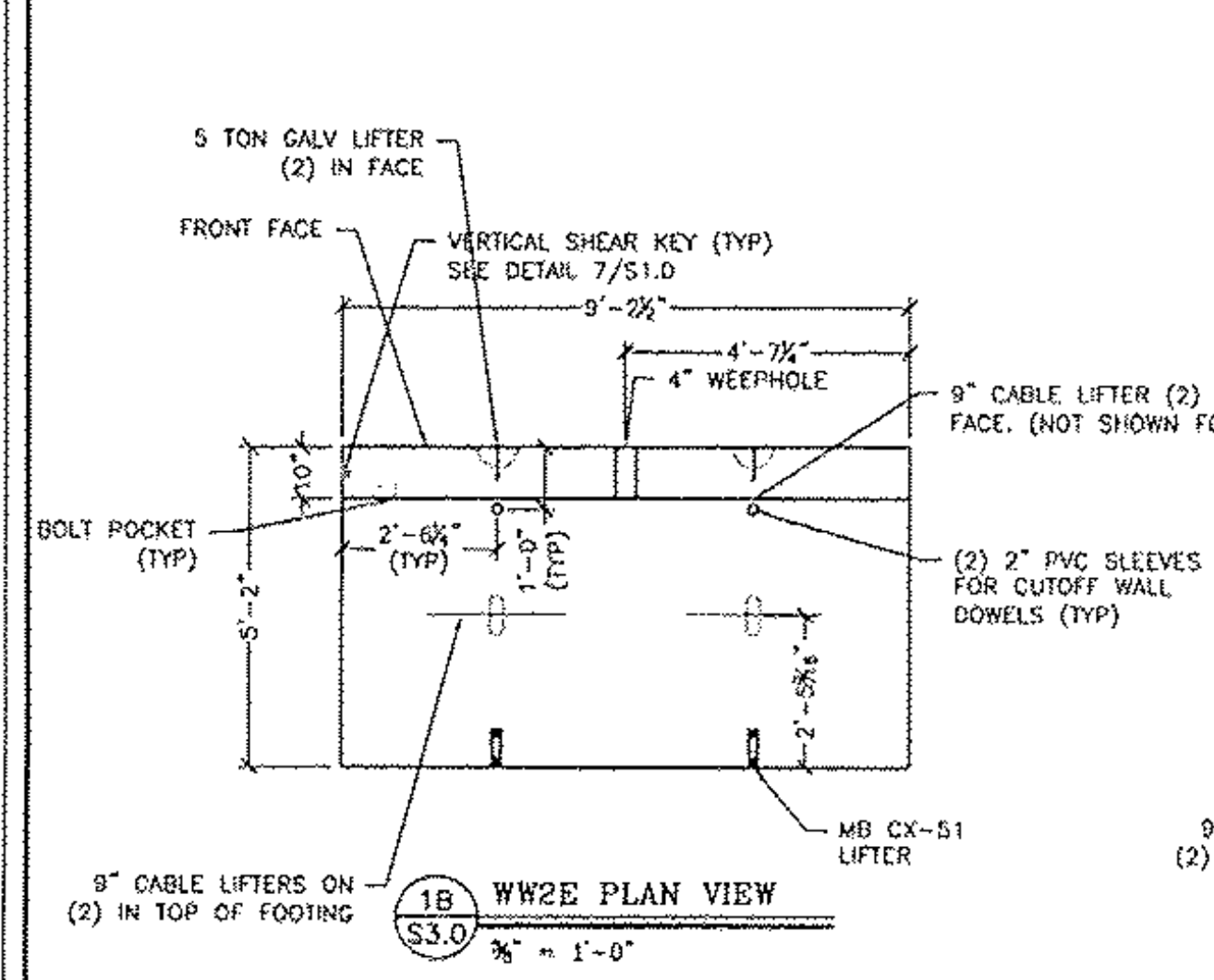
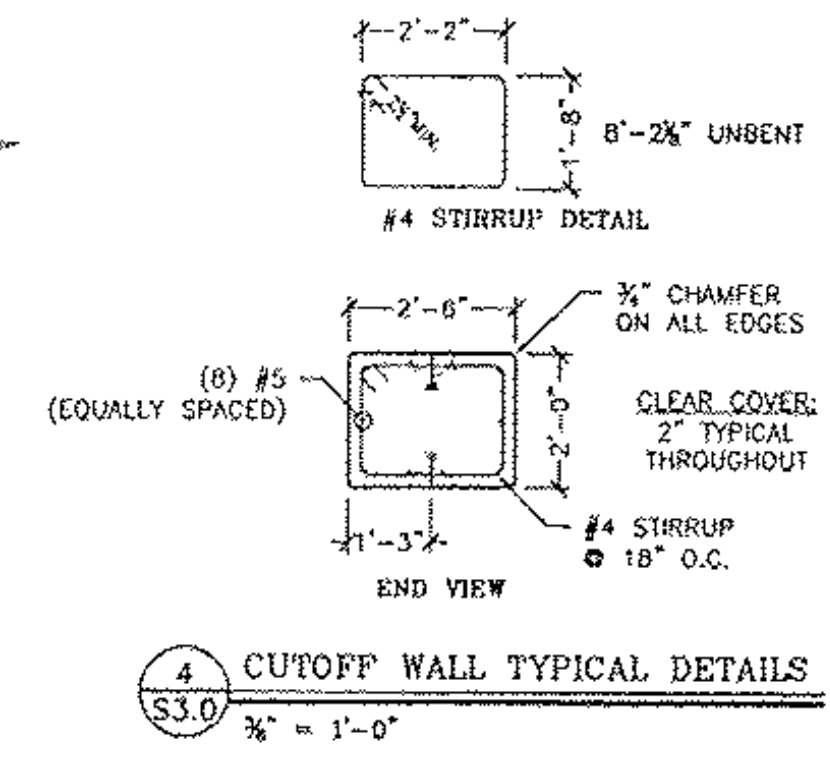
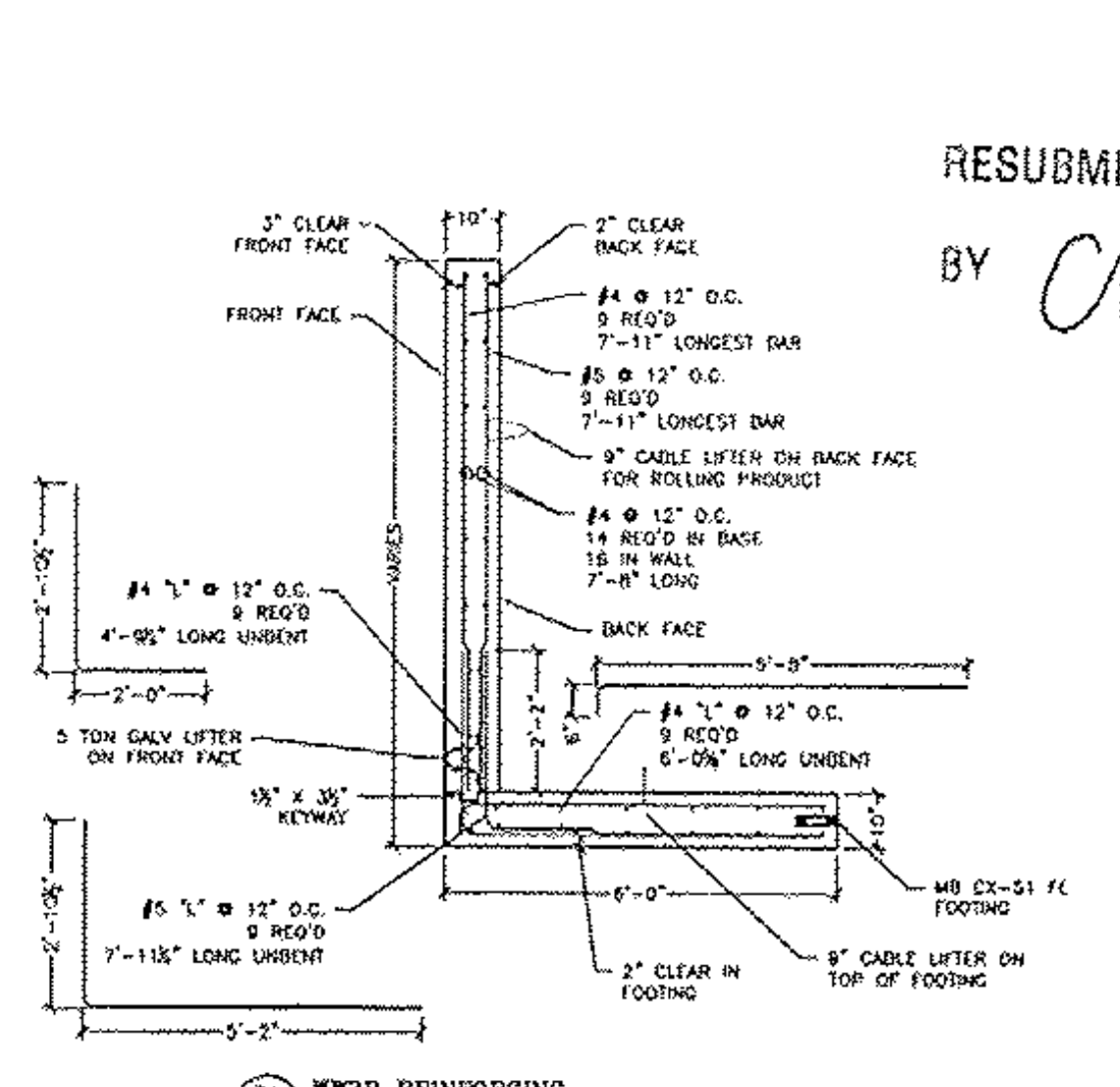
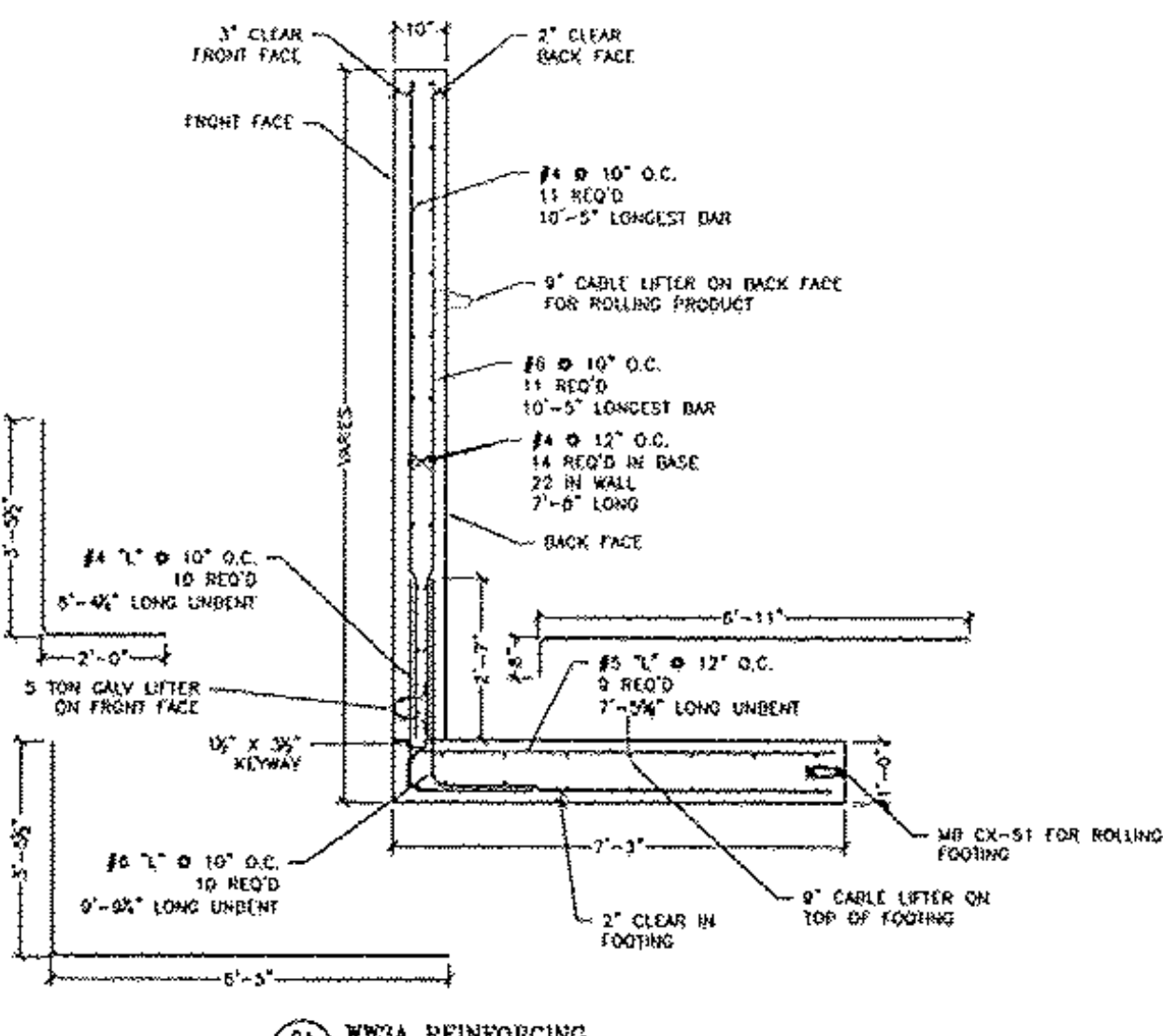
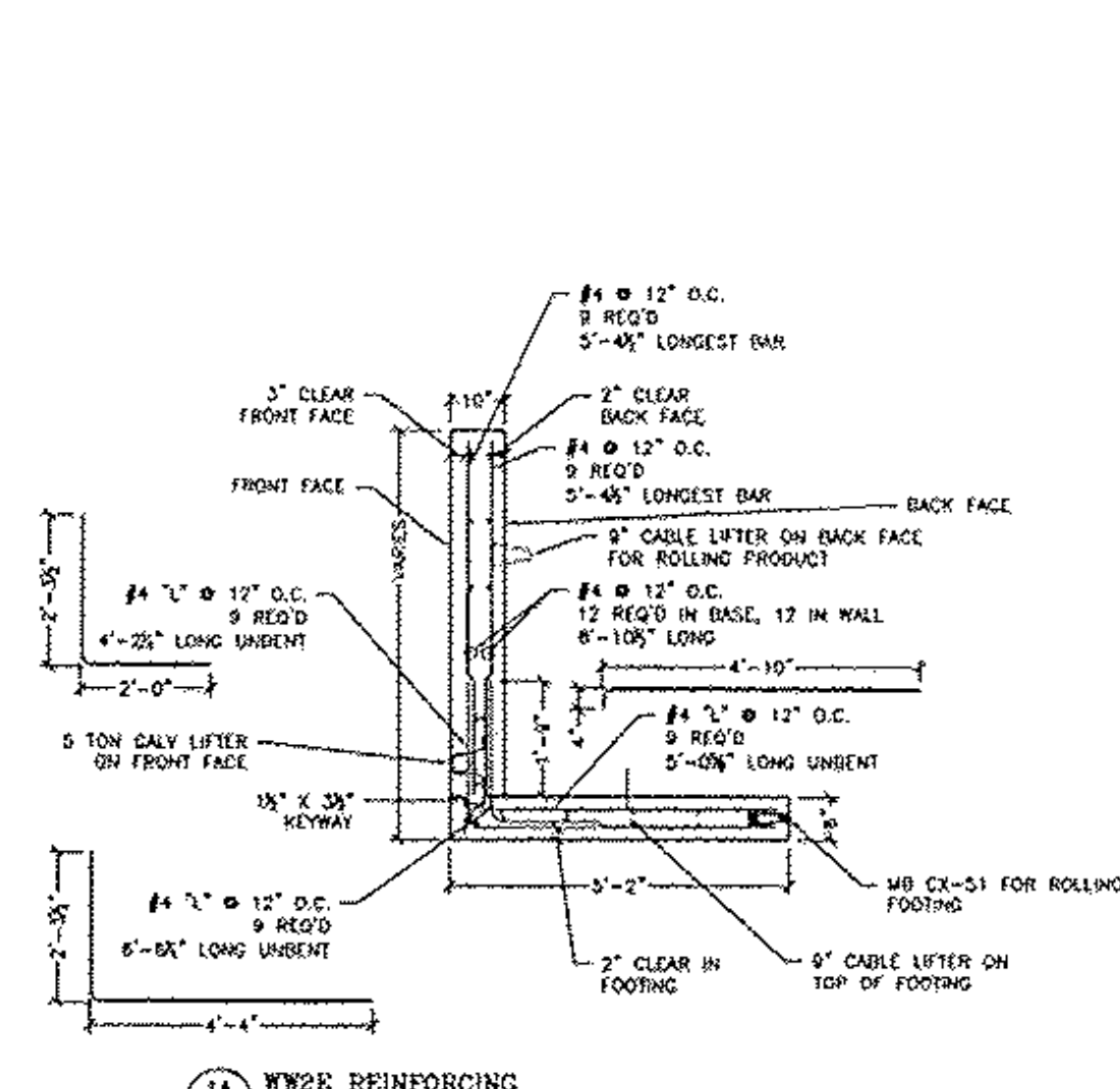


NOTE: 3/4" CHAMFER ON 4 SIDES OF TOP AND 4 VERTICALS OF WALL.

RECEIVED
 CK'D BY LSJ OK'D BY RSY
 MAR 23 2011
 RESUBMIT _____ APPROVED
 BY CPW DATE 3/30/11



Vermont Rte. 103 Bridge #9
 Chester, VT
 Wingwall & Cutoff Wall Details

Prepared for:
 Cold River Bridges, LLC
 187 Whitcomb Rd
 Walpole, NH 03068

DWG. NO.
 S3.0

REVISIONS	DATE	BY

Project No. 1240
 Date: 2/27/11
 Drawn by: PJB
 Checked by: TAF
 Designed by: JFL
 Scale: AS SHOWN