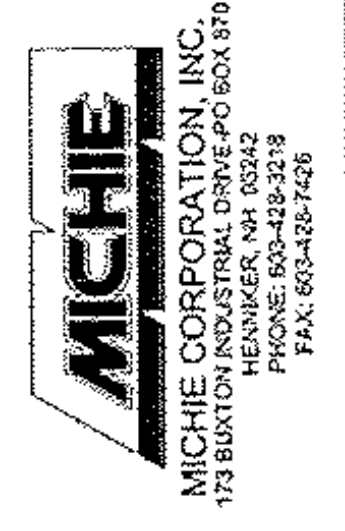
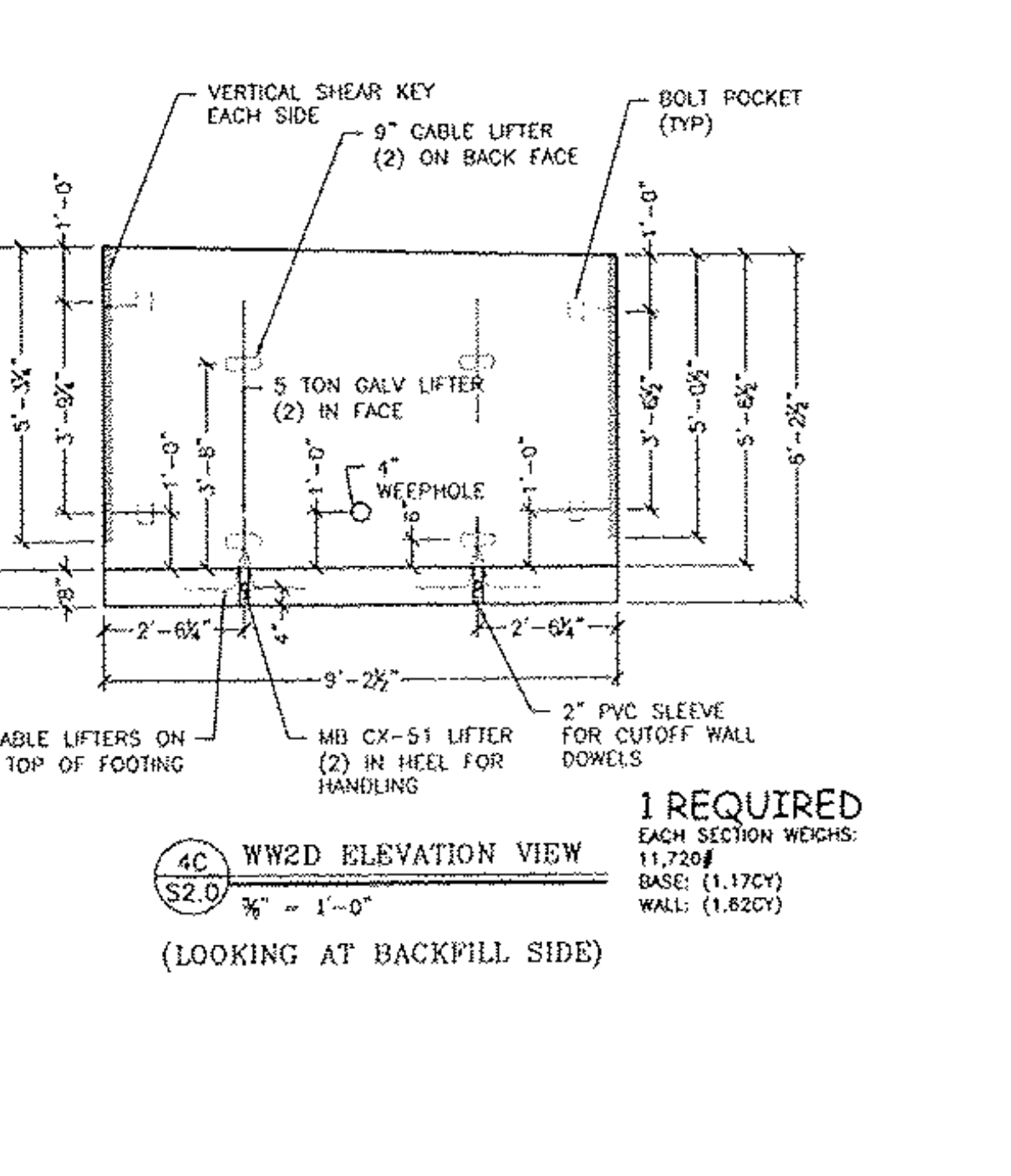
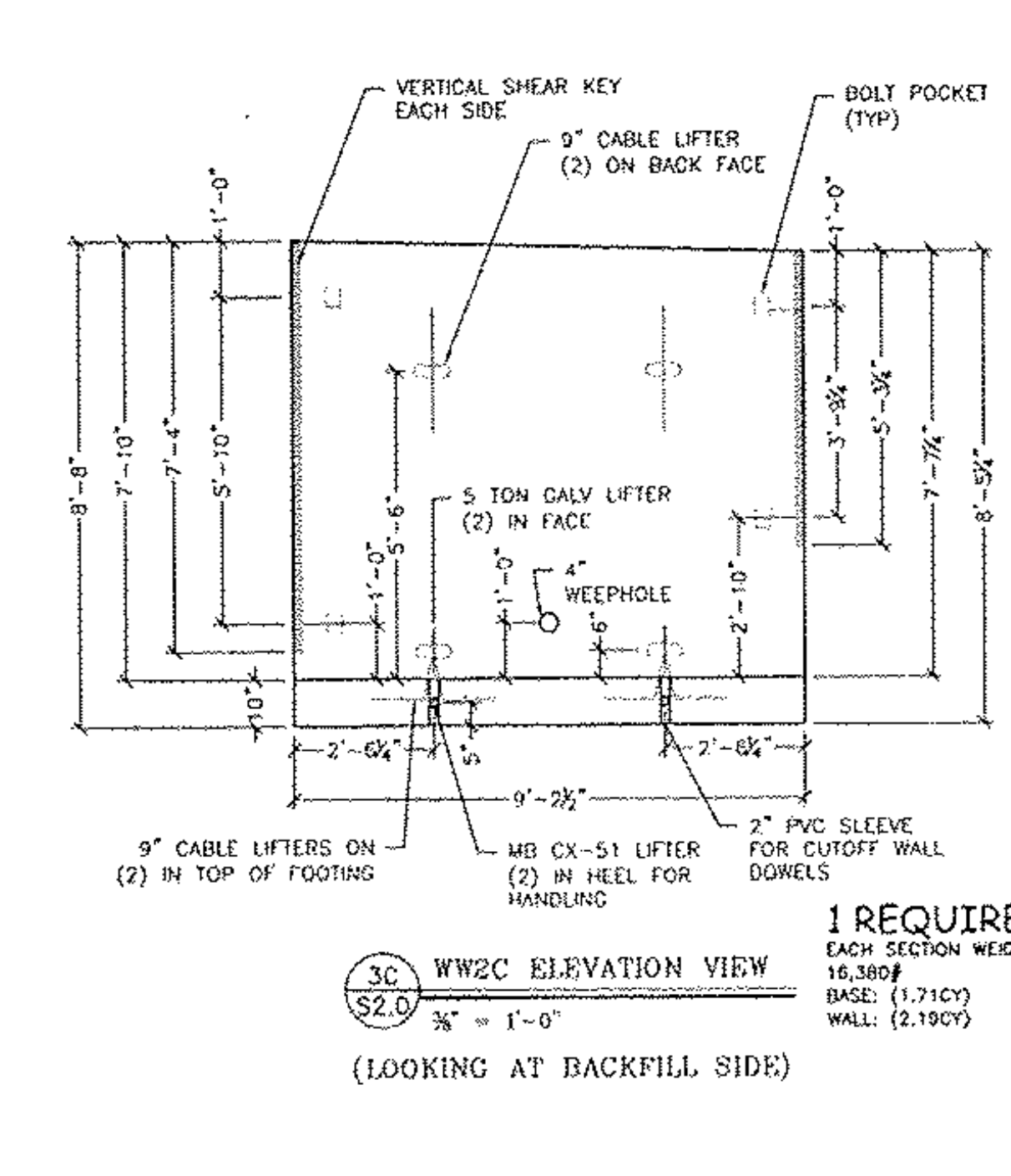
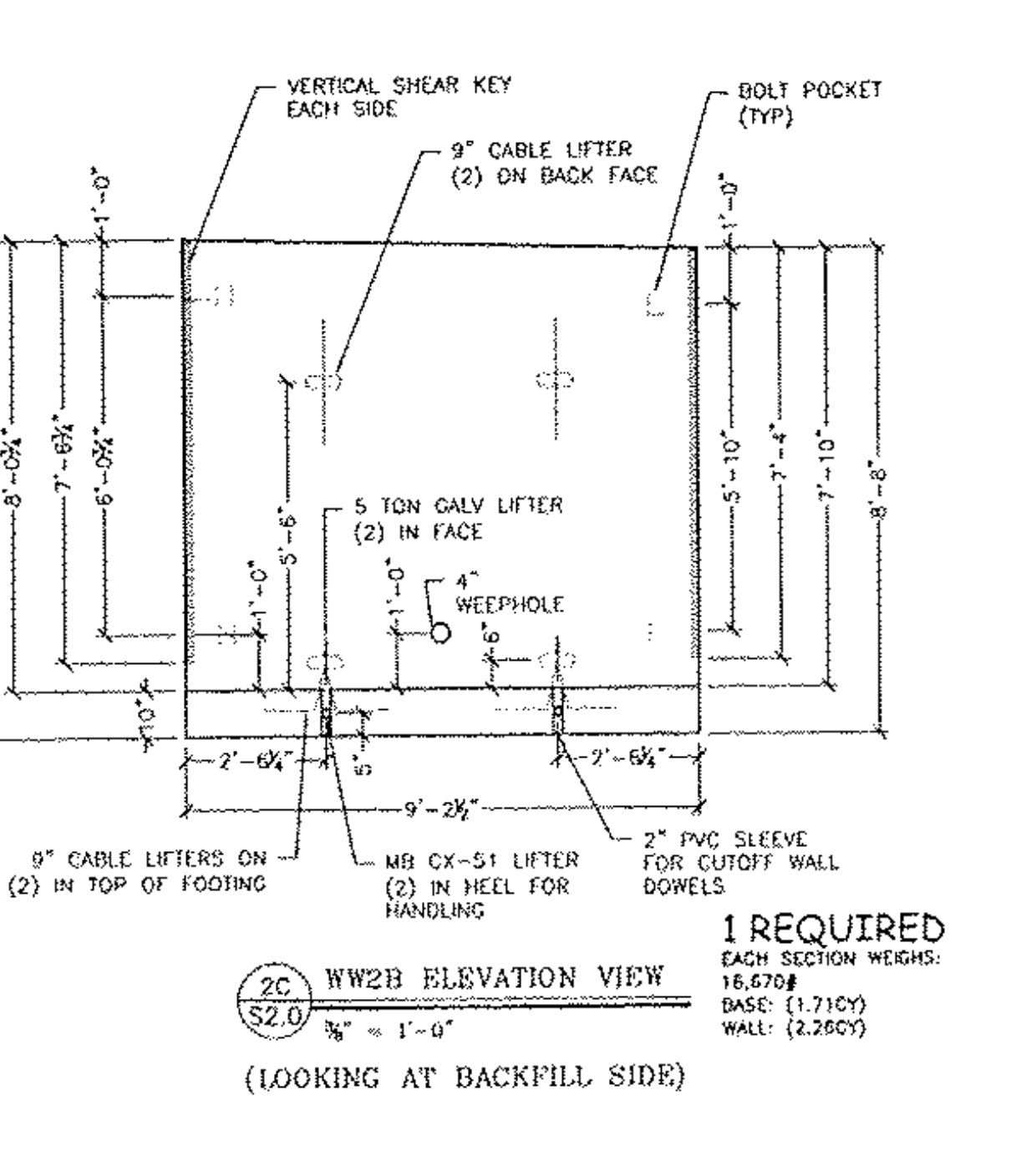
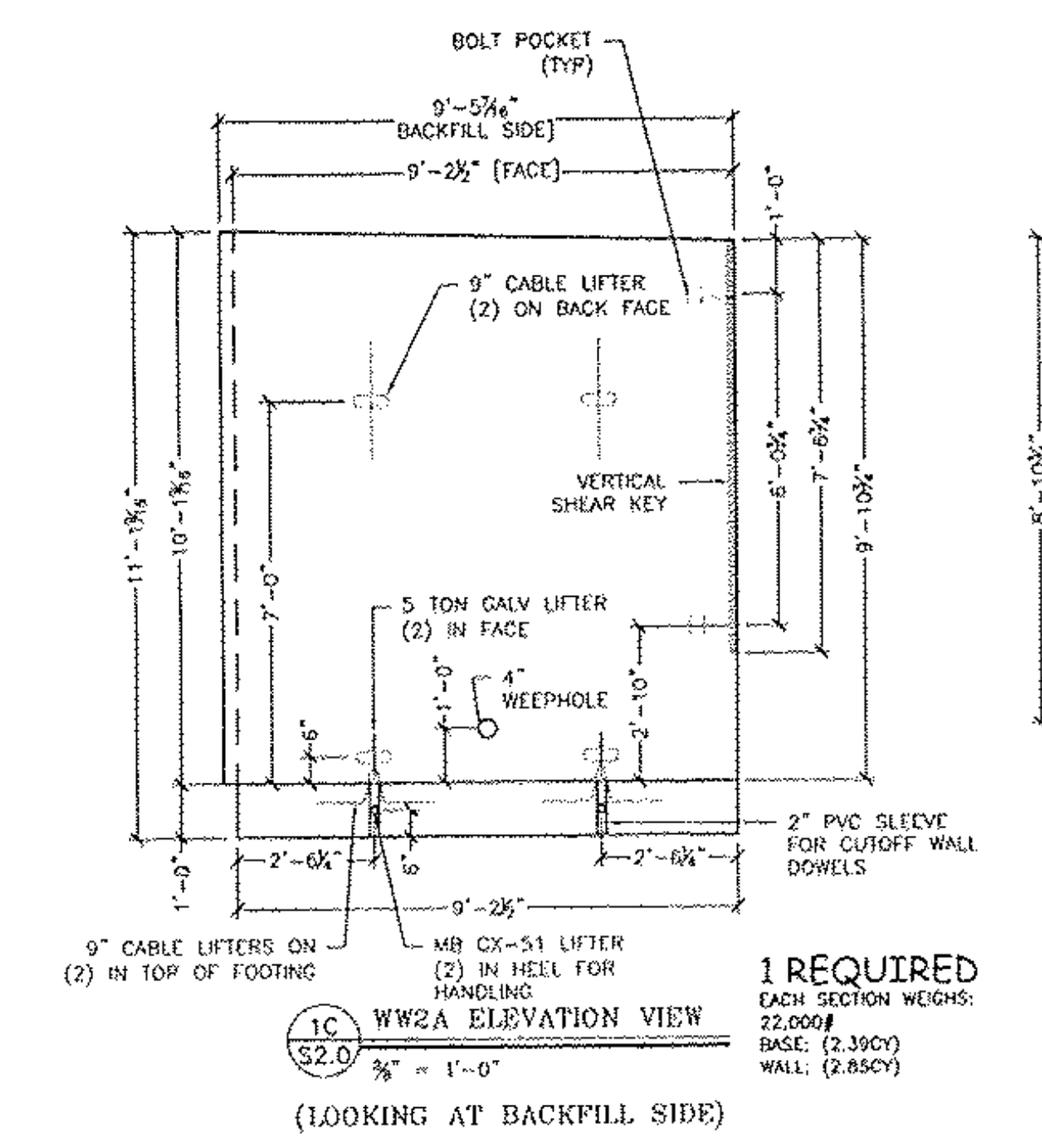
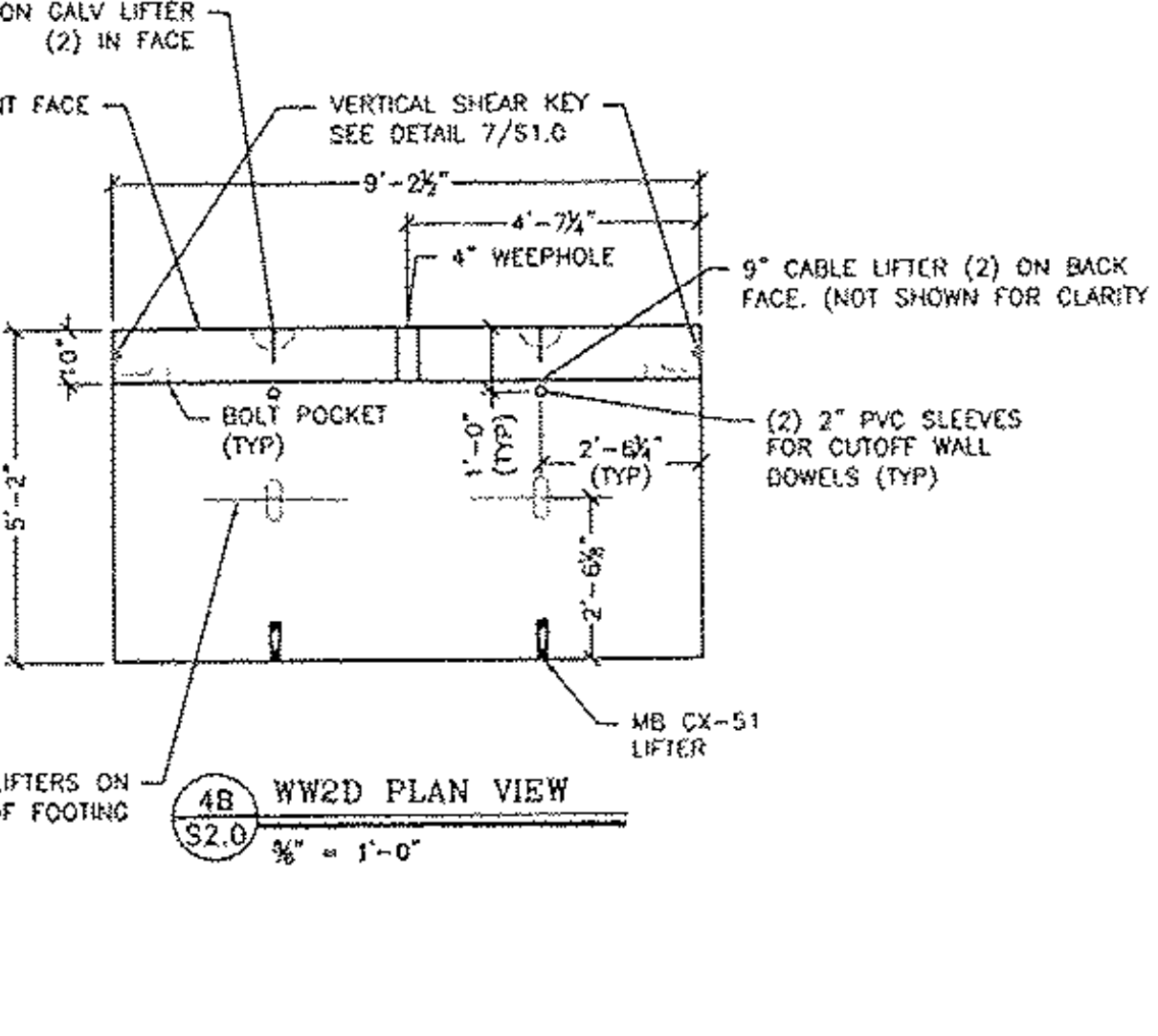
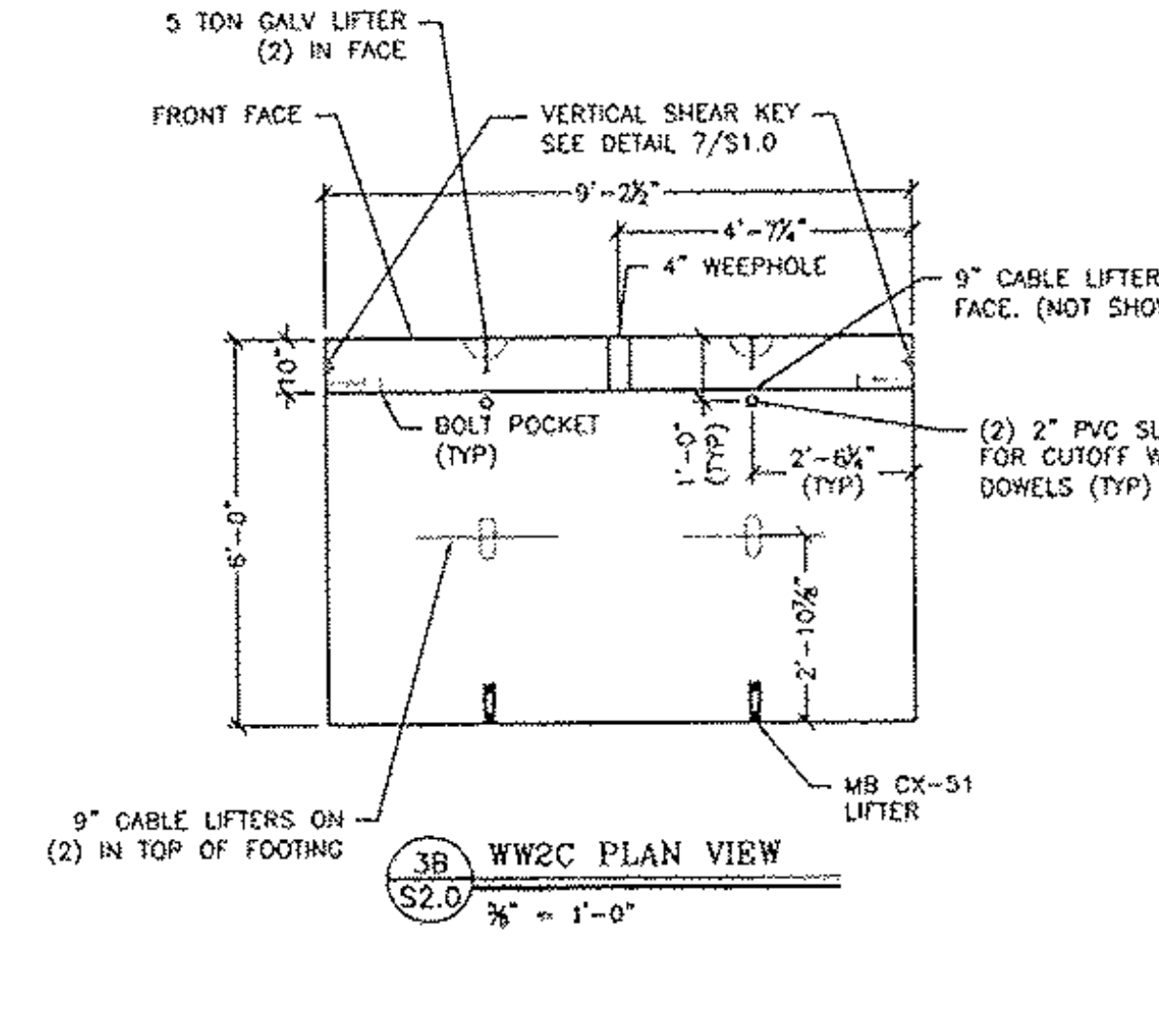
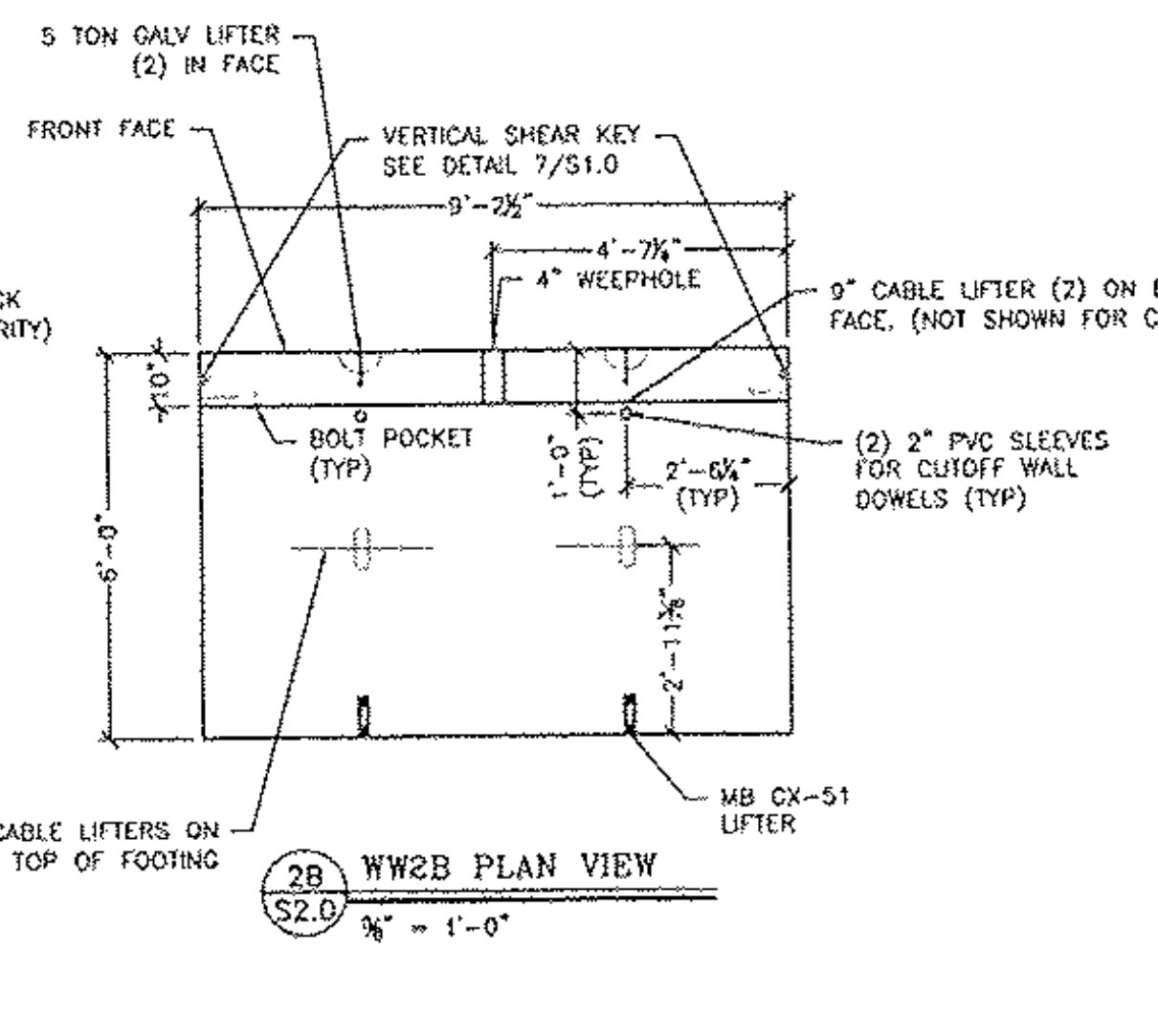
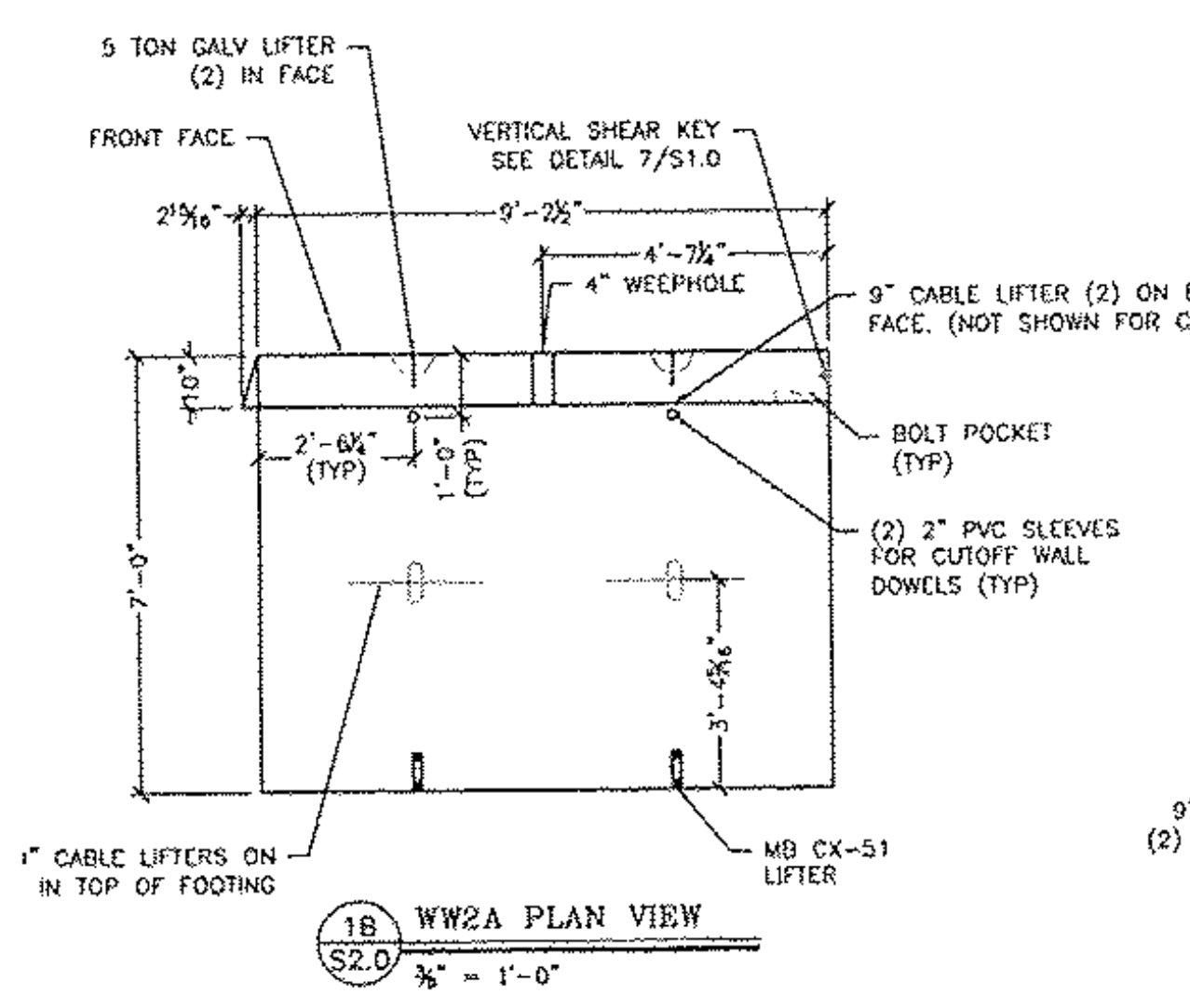
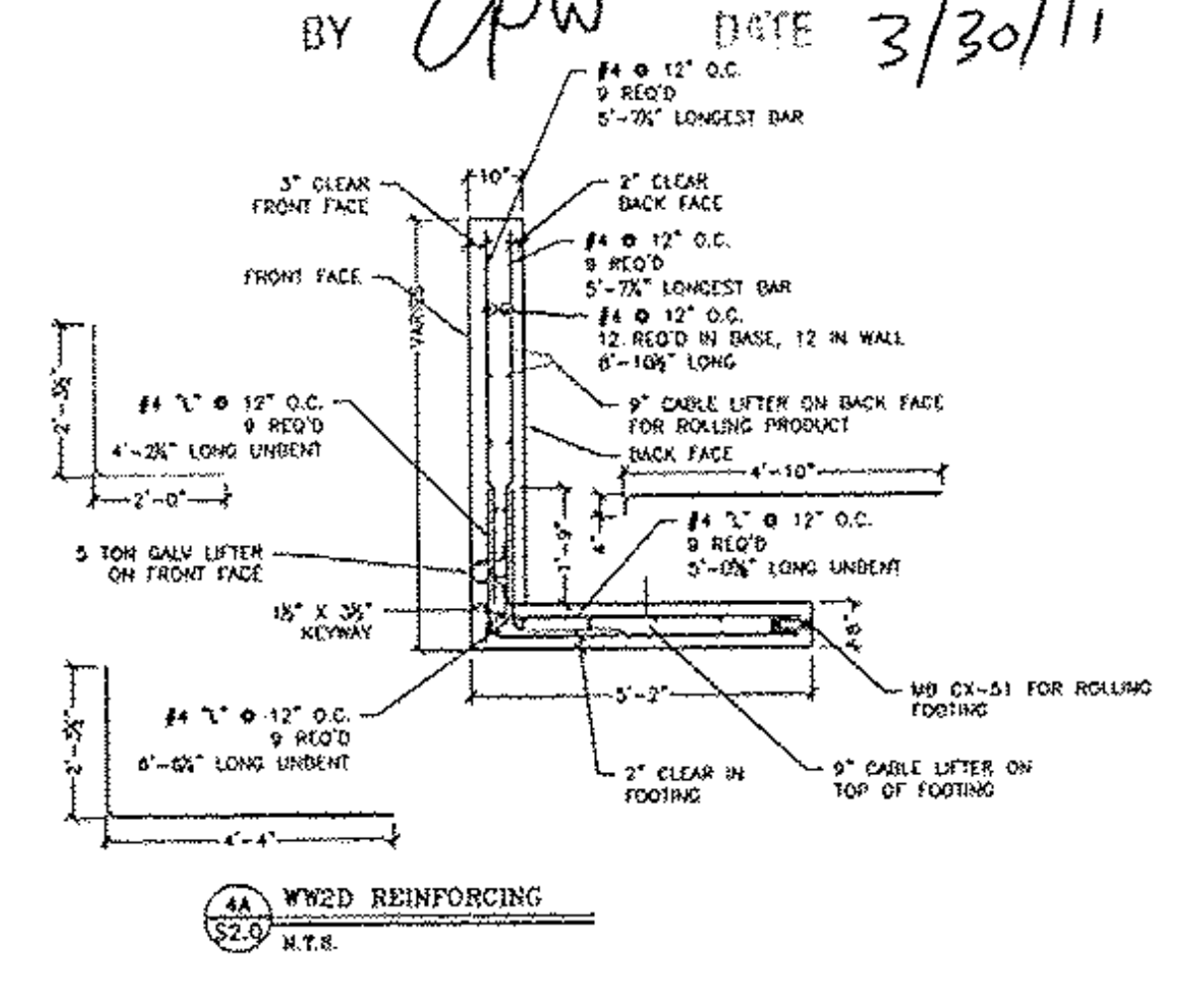
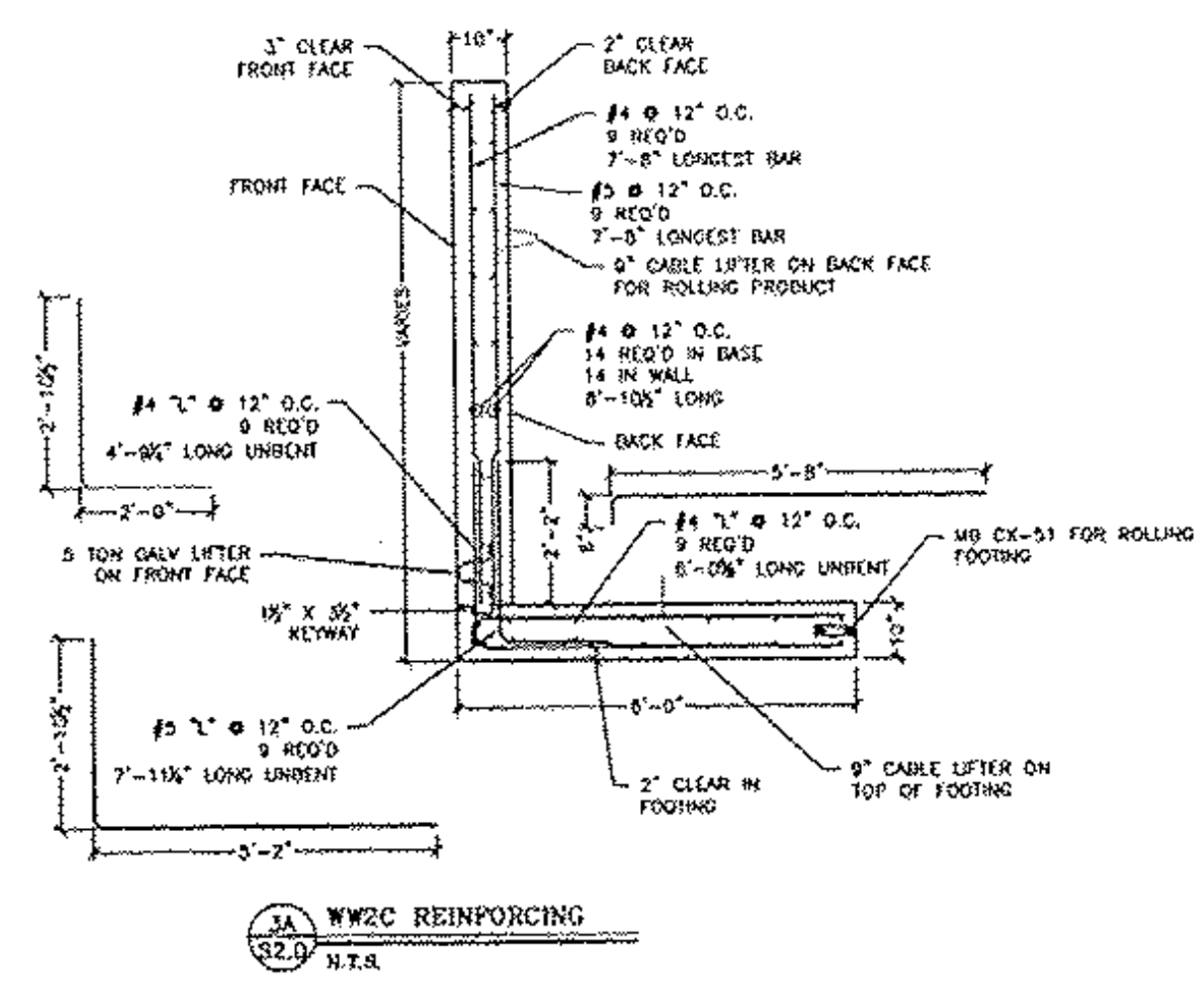
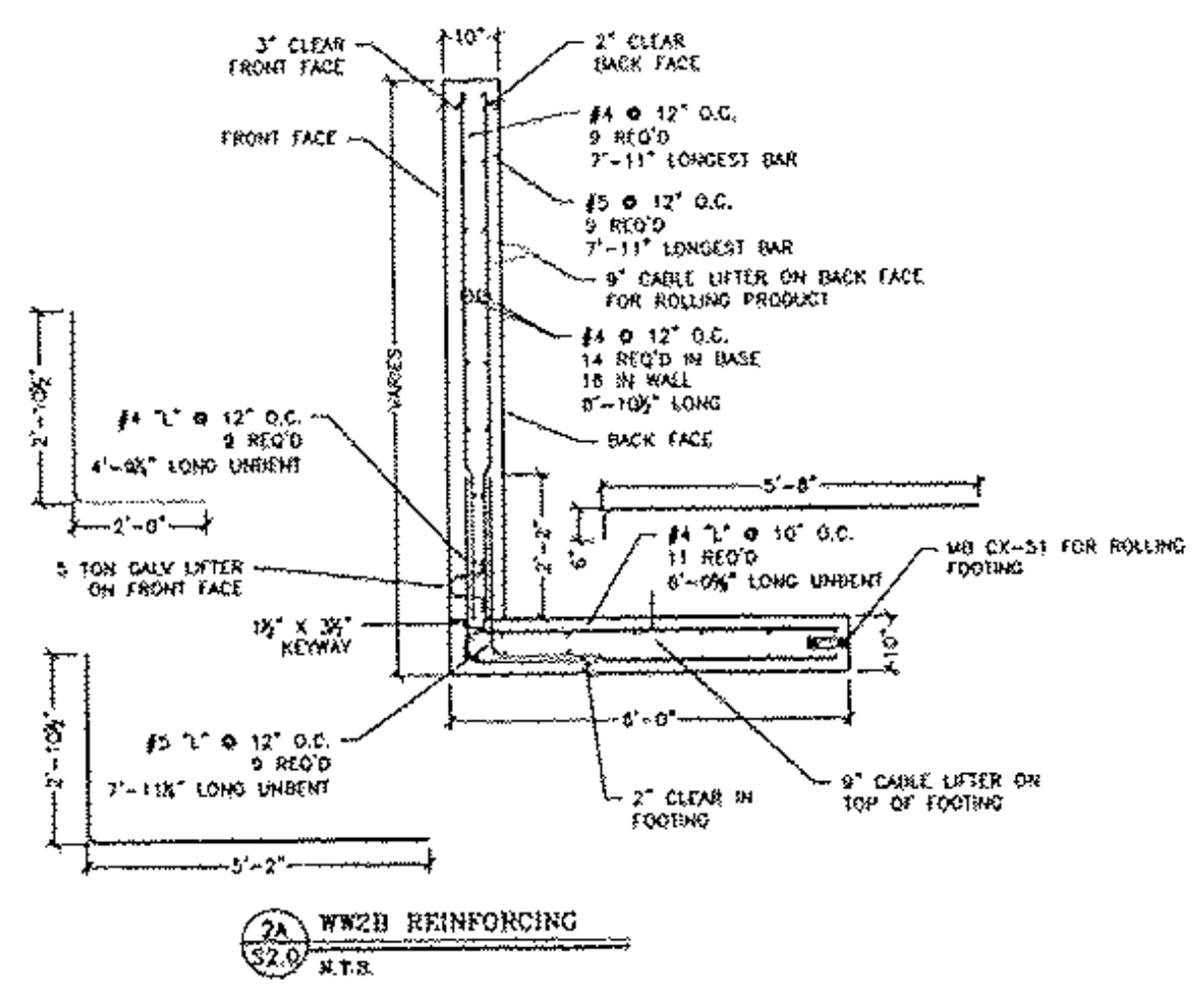
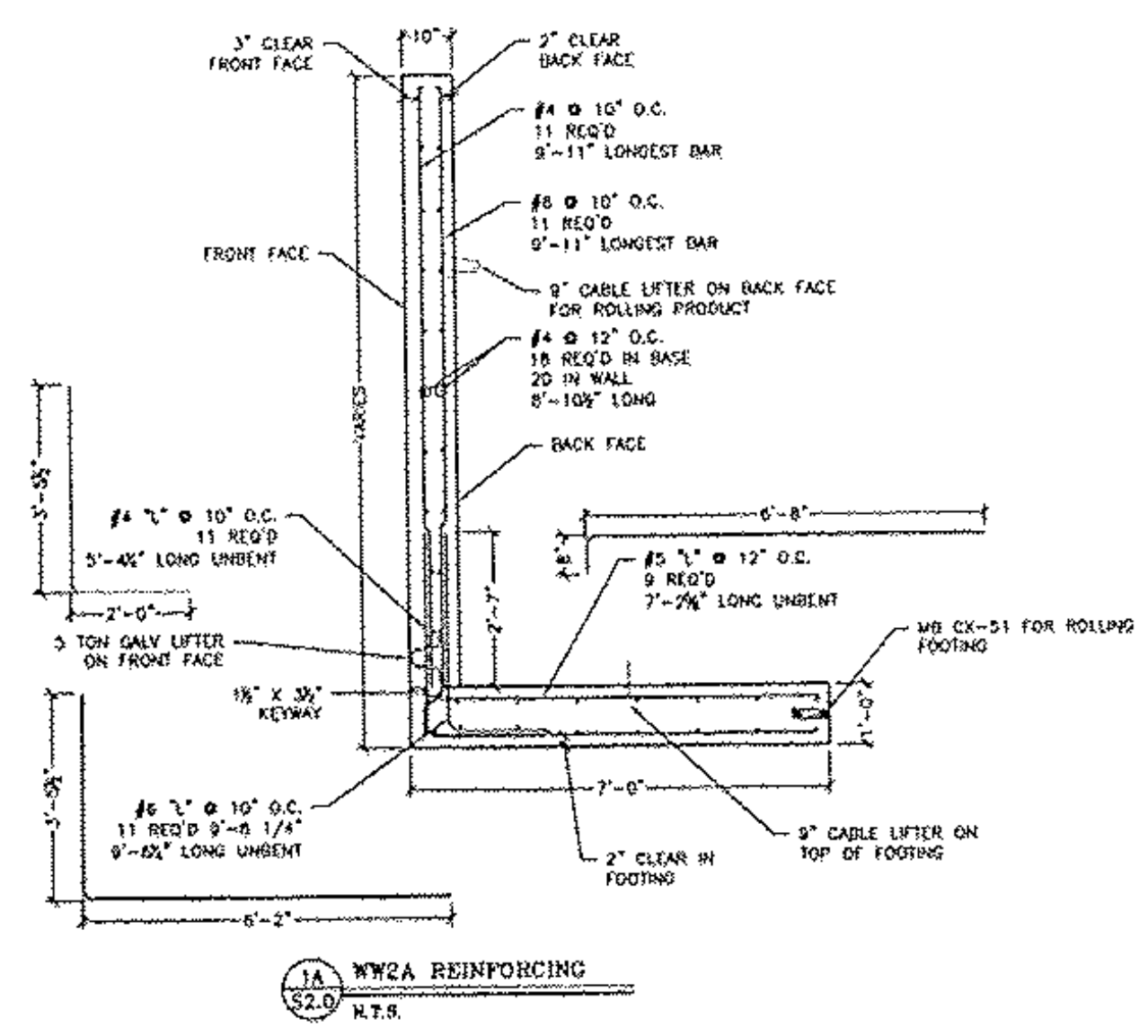


NOTE: 3/4" CHAMFER ON 4 SIDES OF TOP AND 4 VERTICALS OF WALL.

RECEIVED
 OK'D BY LSS OK'D BY RSY
 MAR 23 2011
 RESUBMIT APPROVED ✓
 BY CPW DATE 3/30/11



Vermont Rte. 103 Bridge #9
 Chester, VT
 Wingwall Details

Prepared for:
 Cold River Bridges, LLC
 187 Whitcomb Rd
 Walpole, NH 03068

DWG No
 S2.0

PROJECT: Vermont Rte. 103 Bridge #9, Chester, VT
 DATE: 3/30/11