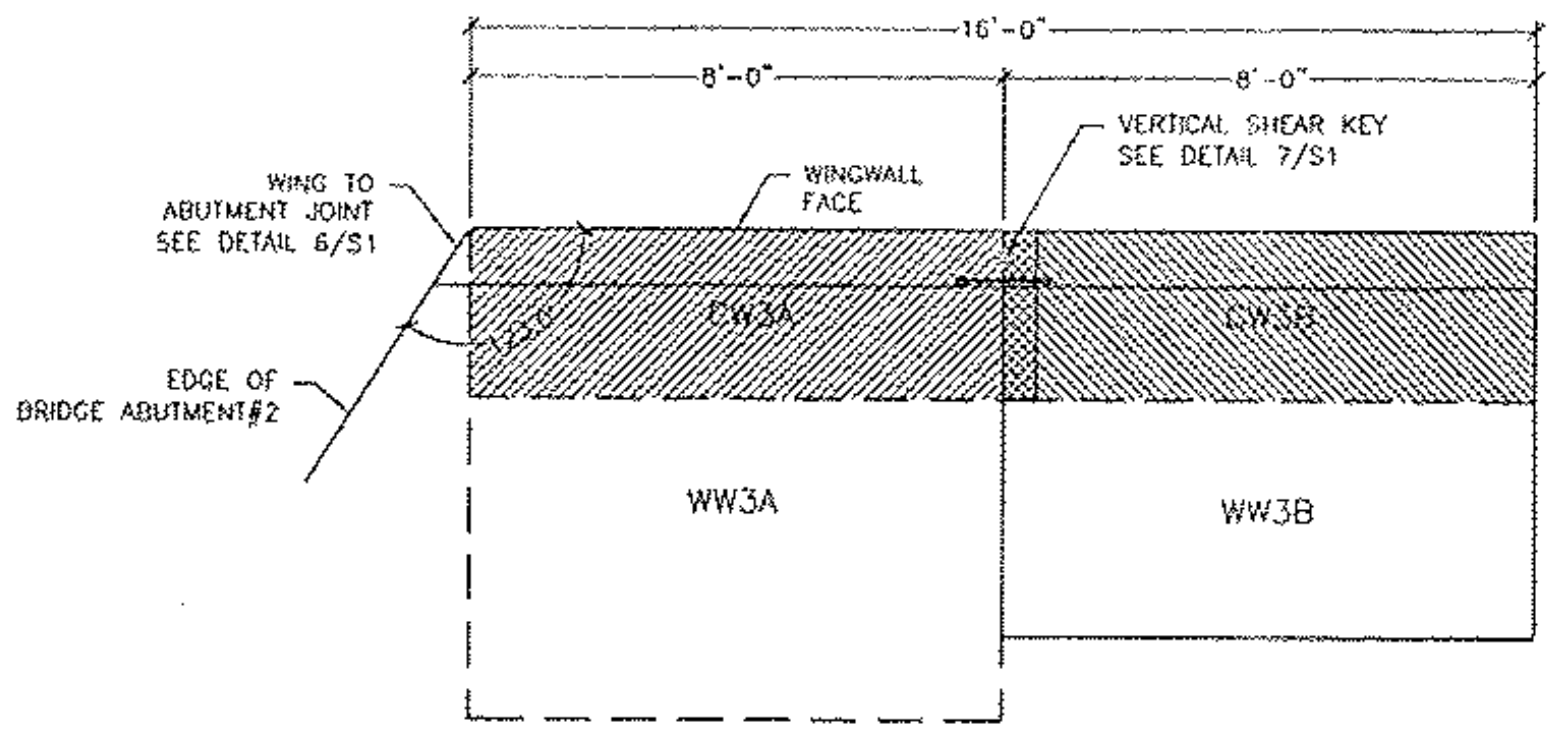
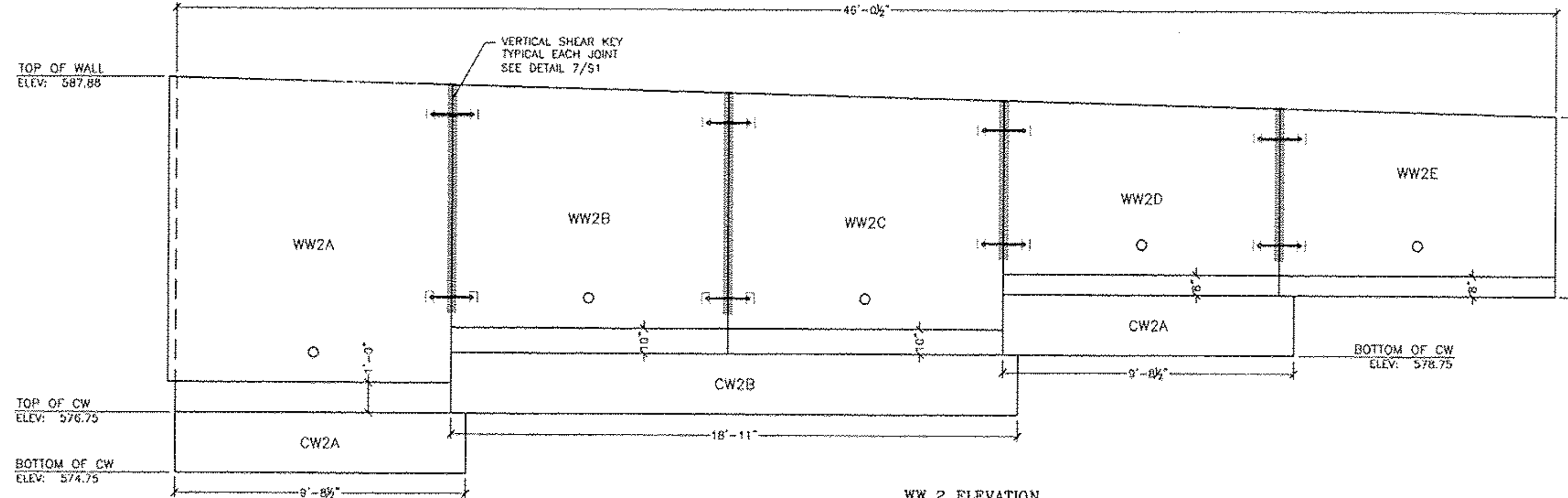


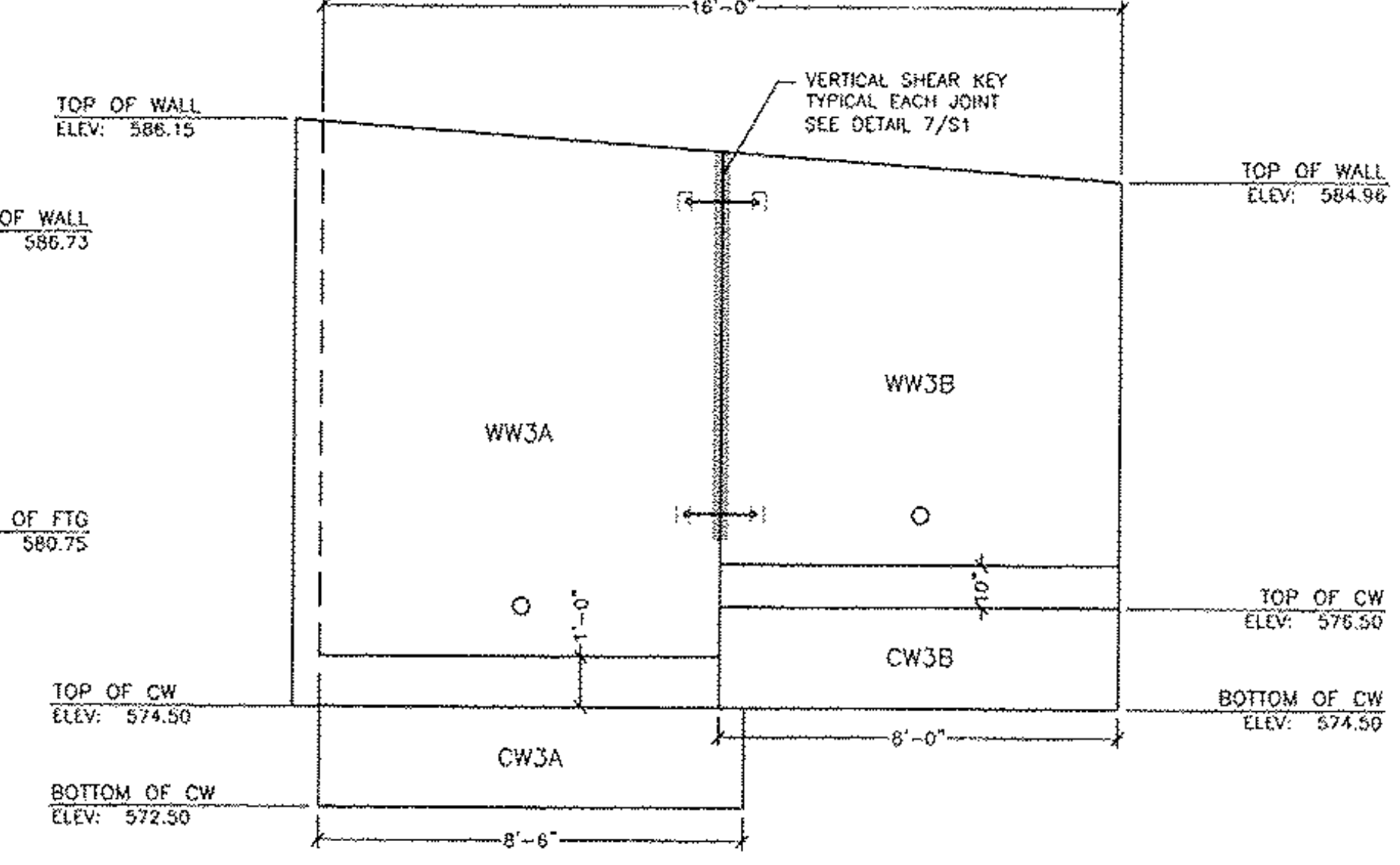
1 WW 2 PLAN VIEW  
S1.0 3/4" = 1'-0"



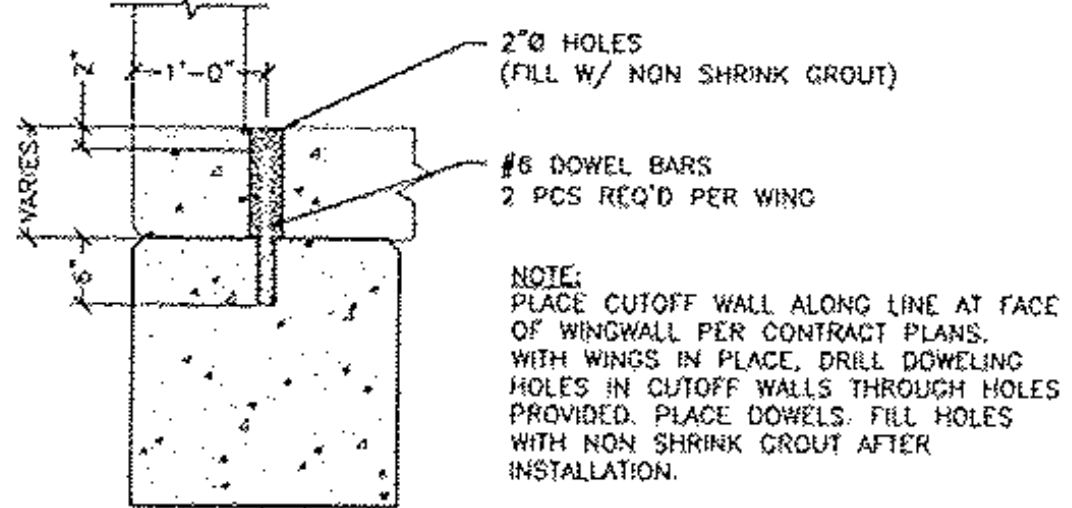
3 WW 3 PLAN VIEW  
S1.0 3/4" = 1'-0"



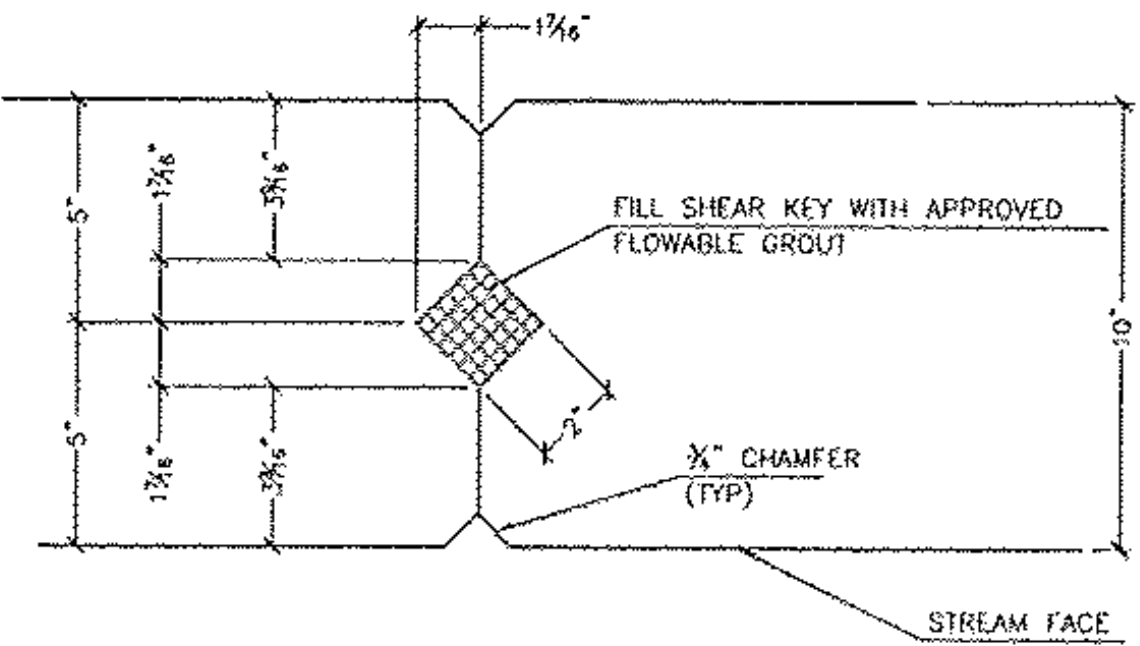
2 WW 2 ELEVATION  
(LOOKING AT BACKFILL SIDE)  
S1.0 3/4" = 1'-0"



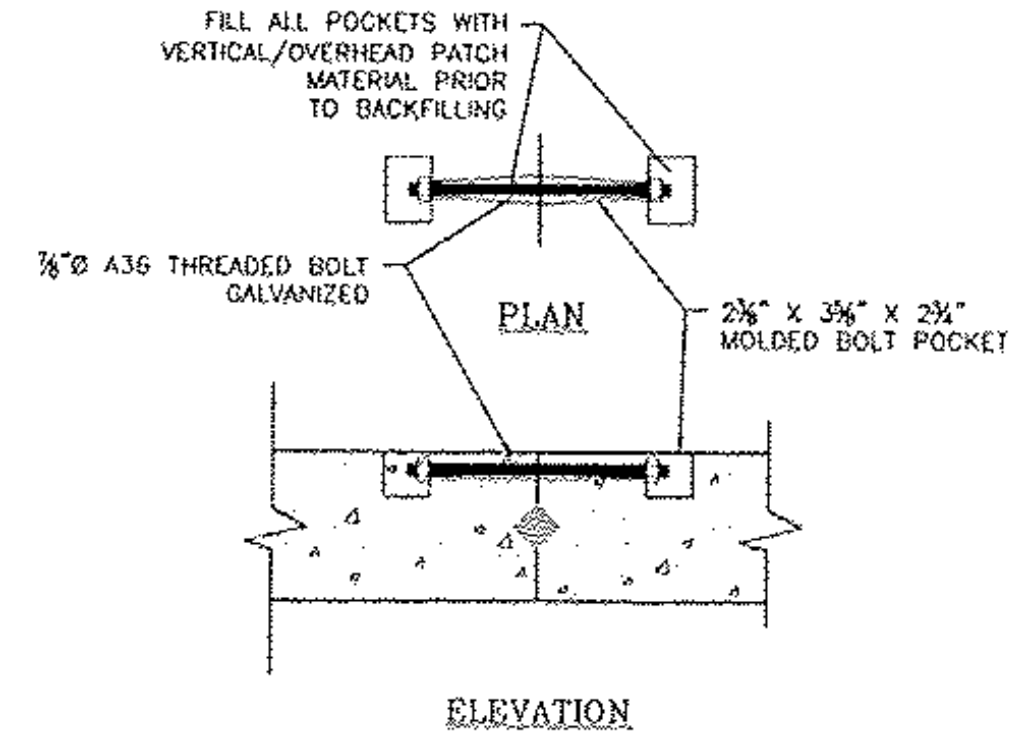
4 WW 3 ELEVATION  
(LOOKING AT BACKFILL SIDE)  
S1.0 3/4" = 1'-0"



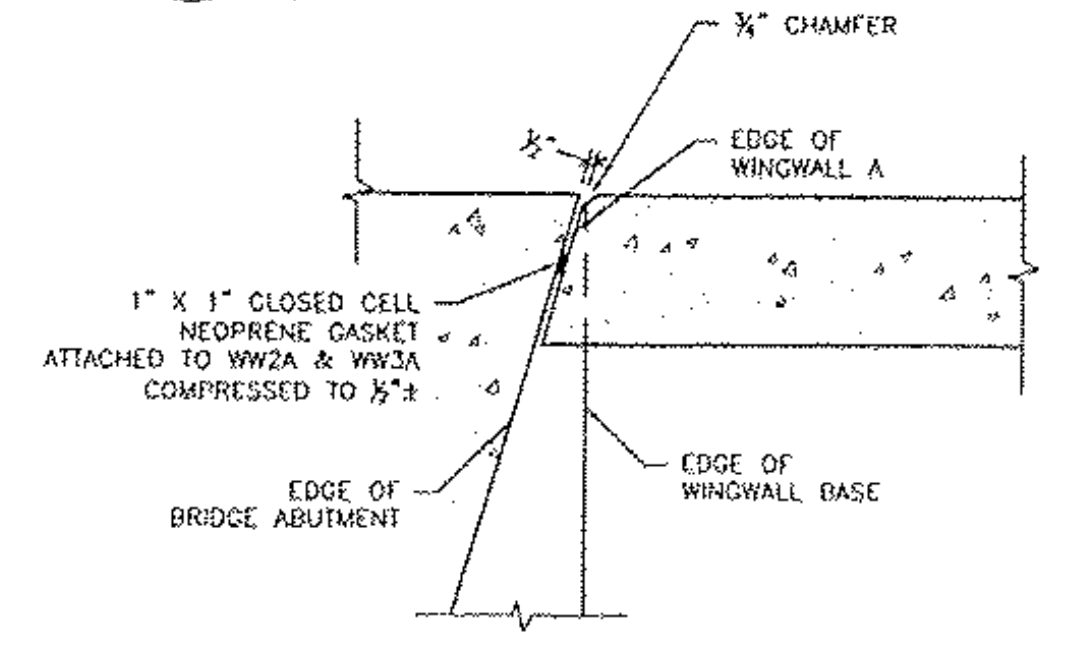
5 CUTOFF WALL CONNECTION  
S1.0 3/4" = 1'



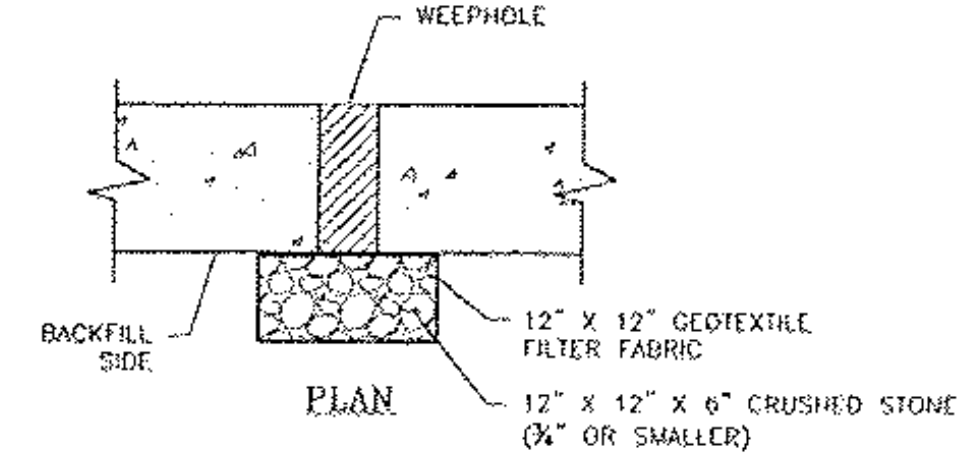
7 VERTICAL SHEAR KEY DETAIL  
S1.0 SCALE 3\"/>



9 BOLT POCKET CONNECTION DETAILS  
S1.0 1\"/>



6 WING TO ABUTMENT PLACEMENT DETAIL  
S1.0 1\"/>



8 WEEPHOLE BACKFILL DETAIL  
S1.0 1\"/>



Vermont Rte. 103 Bridge #9  
Chester, VT  
Wingwalls  
Plan, Elevation, & Connection Details  
Designed by: JPL  
Drawn by: RPH  
Scale: AS SHOWN  
Checked by: TCM

Prepared for:  
Cold River Bridges, LLC  
187 Whitcomb Rd  
Walpole, NH 03068

RECEIVED  
CK'D BY LJS OK'D BY RSY  
MAR 23 2011  
RESUBMIT \_\_\_\_\_ APPROVED \_\_\_\_\_  
BY OPW DATE 3/30/11

DWG. NO.  
S1.0