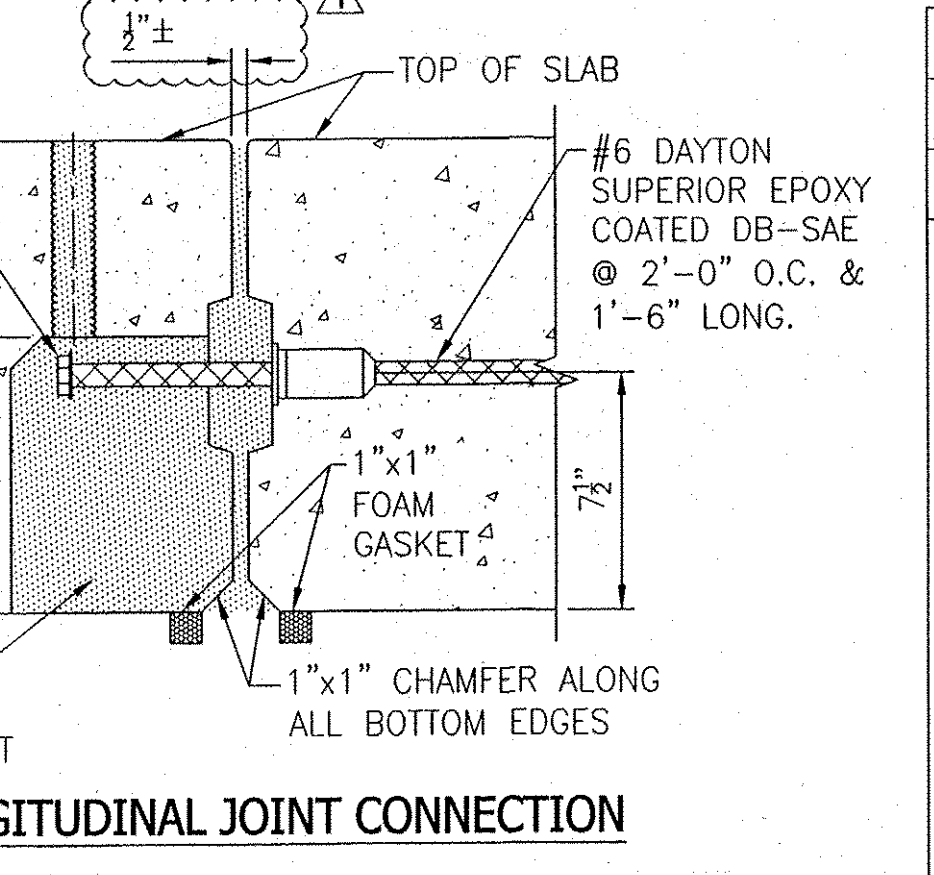
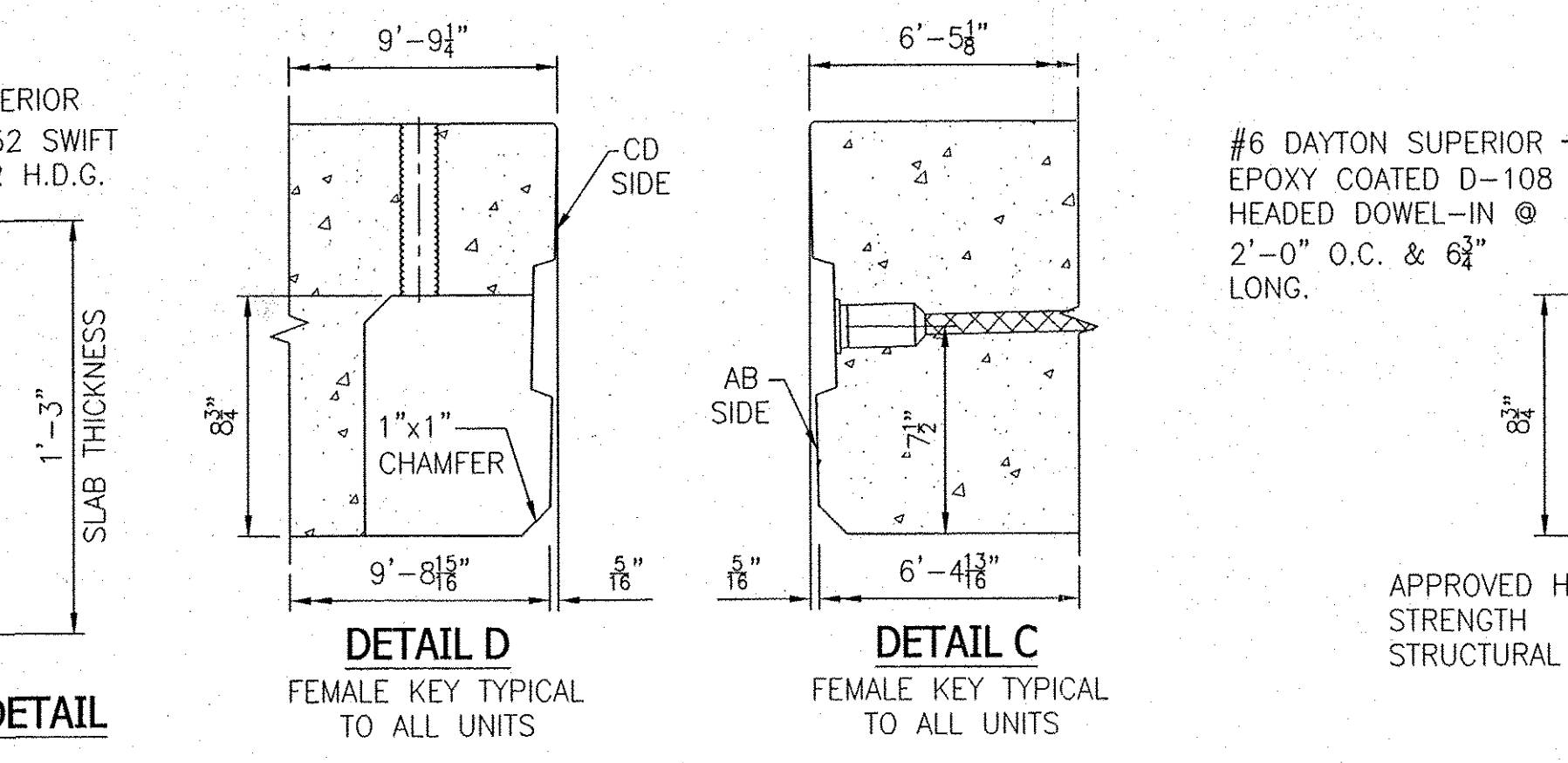
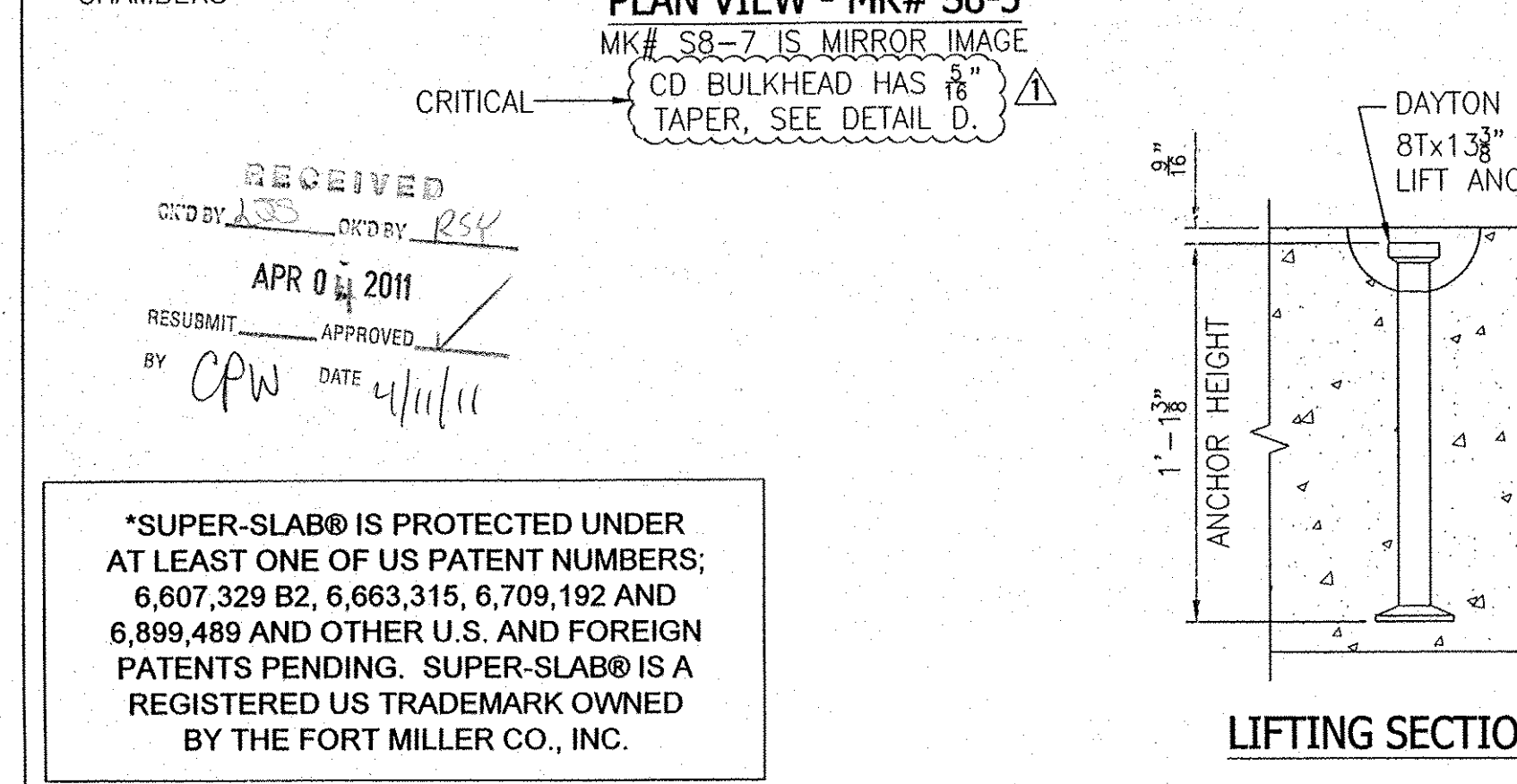


	E901		E502		E403		E404	
	QTY	LENGTH	QTY	LENGTH	QTY	LENGTH	QTY	LENGTH
S8-1	9	19' 6 1/2"	21	6' 1"	8	19' 6 1/2"	21	6' 1"
S8-2	9	19' 6 1/2"	21	6' 5"	8	19' 6 1/2"	21	6' 5"
S8-3	13	19' 6 1/2"	21	9' 5 1/4"	11	19' 6 1/2"	21	9' 5 1/4"
S8-4	12	19' 6 1/2"	21	8' 7"	10	19' 6 1/2"	21	8' 7"
S8-5	9	19' 6 1/2"	21	6' 1"	8	19' 6 1/2"	21	6' 1"
S8-6	9	19' 6 1/2"	21	6' 5"	8	19' 6 1/2"	21	6' 5"
S8-7	13	19' 6 1/2"	21	9' 5 1/4"	11	19' 6 1/2"	21	9' 5 1/4"
S8-8	12	19' 6 1/2"	21	8' 7"	10	19' 6 1/2"	21	8' 7"

ALL REINFORCEMENT IS EPOXY COATED.



RECEIVED
APR 04 2011
BY CPW

*SUPER-SLAB® IS PROTECTED UNDER AT LEAST ONE OF US PATENT NUMBERS; 6,607,329 B2, 6,663,315, 6,709,192 AND 6,899,489 AND OTHER U.S. AND FOREIGN PATENTS PENDING. SUPER-SLAB® IS A REGISTERED US TRADEMARK OWNED BY THE FORT MILLER CO., INC.

NO.	DATE	BY	PER ENG. COMMENTS, ADDED NOTES
			REVISIONS
THE FORT MILLER Co., Inc. P.O. BOX 98 SCHULERVILLE, NY 12871 (518) 695-5000 (518) 695-4970 FAX WWW.FORTMILLER.COM			F.M. JOB NO. 12511
PROJECT LOCATION: TOWN OF CHESTER - ROUTE 103			DATE: 2-21-11
PROJECT: BR# 025-1(28) - BRIDGE #8			DRN. BY: TDS
SUBJECT: UNIT PLAN, REINFORCEMENT & SECTION DETAILS			CHK. BY: SDH
CONTRACTOR: COLD RIVER BRIDGES, LLC.			SCALE: NONE
CONTRACTOR ADDRESS: PO BOX 1076 WALPOLE, NH 03608			SHEET NO. 3 OF 3
ENGINEER/ARCHITECT VAOT			DWG. NO.

S3