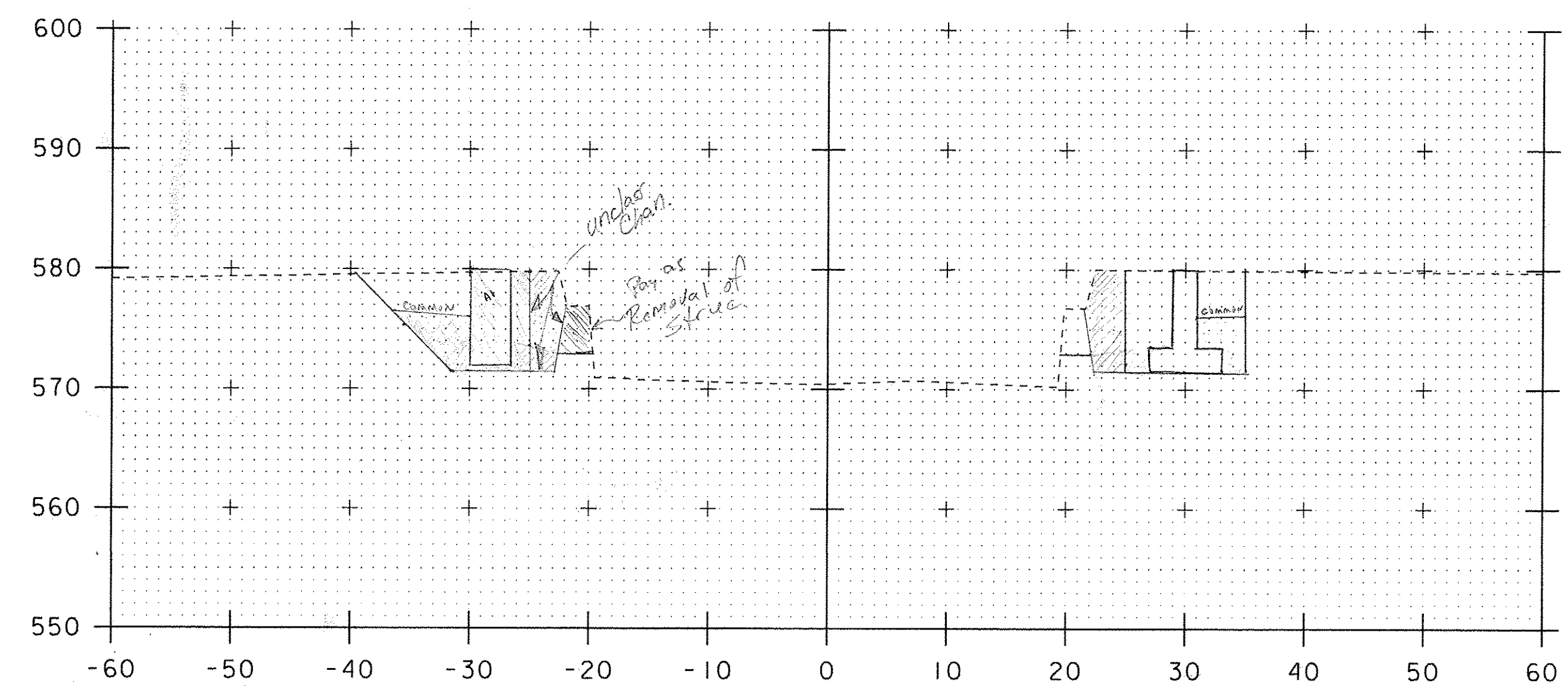


10+40



10+70

GRANULAR BACKFILL INCLUDES FF BETWEEN OLD ABUT. & NEW

RT @ 10+70 = $2.2 + 2.5 \cdot 4 = 14$ ✓ 25

LT @ 10+70 = $4.5 \cdot 4.2 = 18.9$ ✓ 26

STRUCTURE EXC.

RT @ 10+70 = $8.5 \cdot 10 - 8.5 = 86.5 - 8.5 = 78$ ✓ 23

LT @ 10+70 = $7.5 \cdot 5 = 37.5$ ✓ 21

$1.5 \cdot 8.5 = 12.75$ ✓

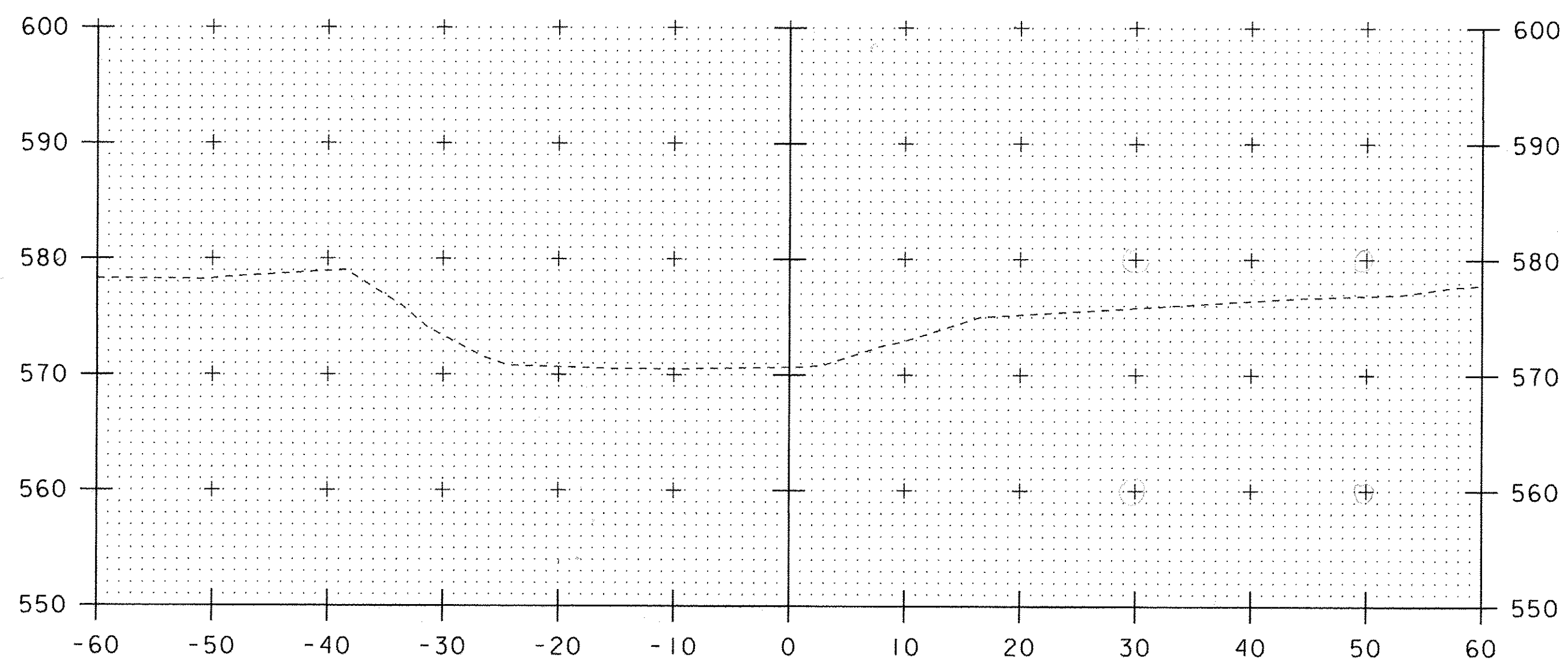
$216 \cdot 4.5 = 972$ ✓

$\frac{972}{2} = 486$ ✓ 32.5

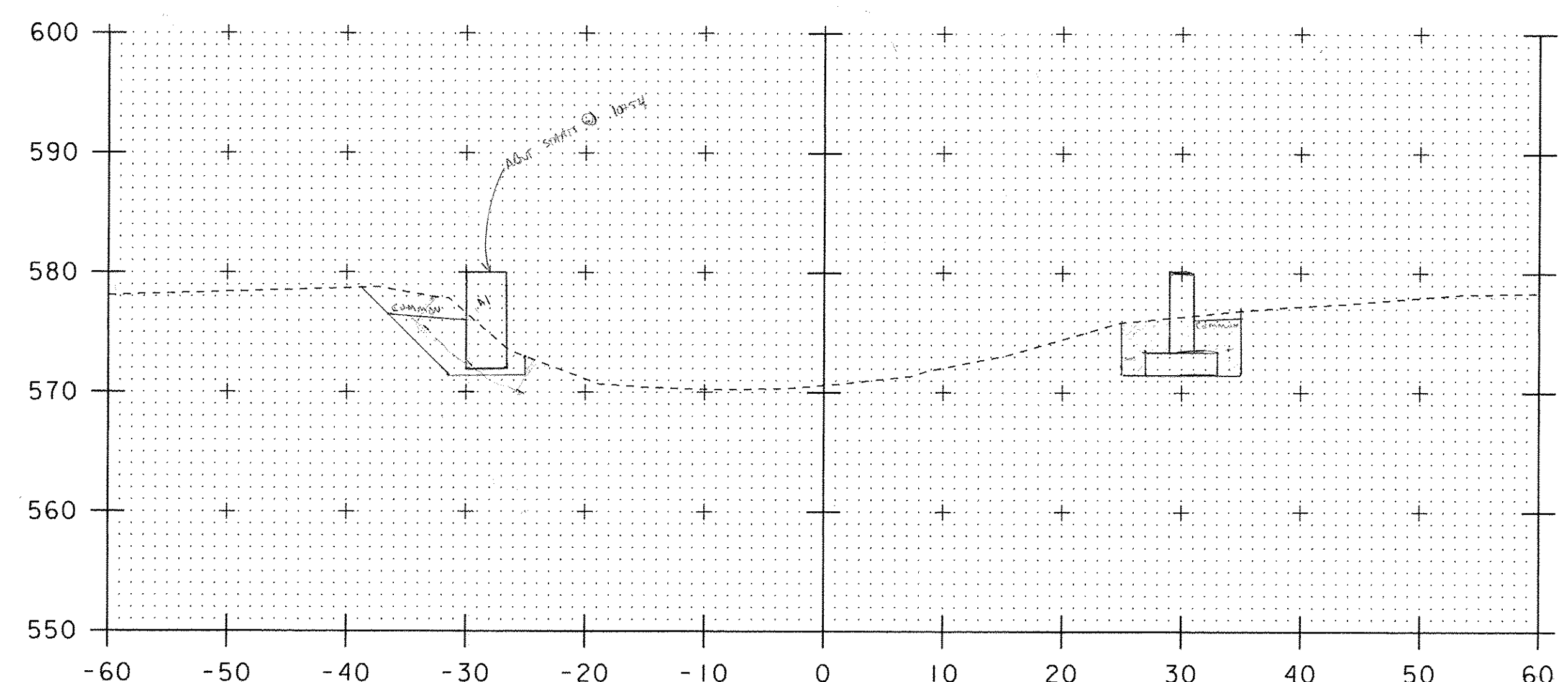
UNCLASSIFIED CHANNEL

RT @ 10+70 = $8.5 \cdot 3 = 25.5$ ✓ 24

LT @ 10+70 = $27.5 \cdot 8.5 = 233.75$ ✓ 22



10+30



10+50 10+54

GRANULAR BACKFILL

RT @ 10+52 = $4.5 \cdot 10 = 45$ ✓ 43

RT @ 10+54 = $42.5 - (3.4) - (3.5) = 35.6$ ✓ 25.5

LT @ 10+52 = $4.5 \cdot 4.5 = 20.25$ ✓

$4.5 \cdot 6.5 = 29.25$ ✓

$\frac{29.25}{2} = 14.625$ ✓ 31.25

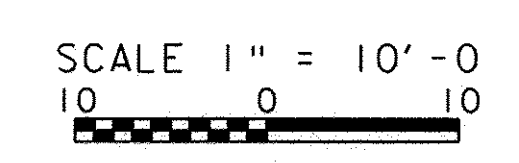
LT @ 10+54 = $31.25 - (4.2 \cdot 3.5) = 16.75$ ✓ 23

STRUCTURE EXC.

RT @ 10+52 = 42.5 ✓ 43

LT @ 10+52 = 31.25 ✓ 31

UNCLASSIFIED CHANNEL STARTS @ ZERO @ 10+54



PROJECT NAME: CHESTER
 PROJECT NUMBER: BRF 025-1(28)

FILE NAME: s84e06i/Str/xsl.dgn
 PROJECT LEADER: C.P.WILLIAMS
 DESIGNED BY: R.S.YOUNG
 CONST BR 8 CHANNEL CROSS SECTIONS I

PLOT DATE: 23-JUN-2011
 DRAWN BY: D.D.BEARD
 CHECKED BY: R.S.YOUNG
 SHEET 1 OF 1

Checked by RSW

DAN LAMPA