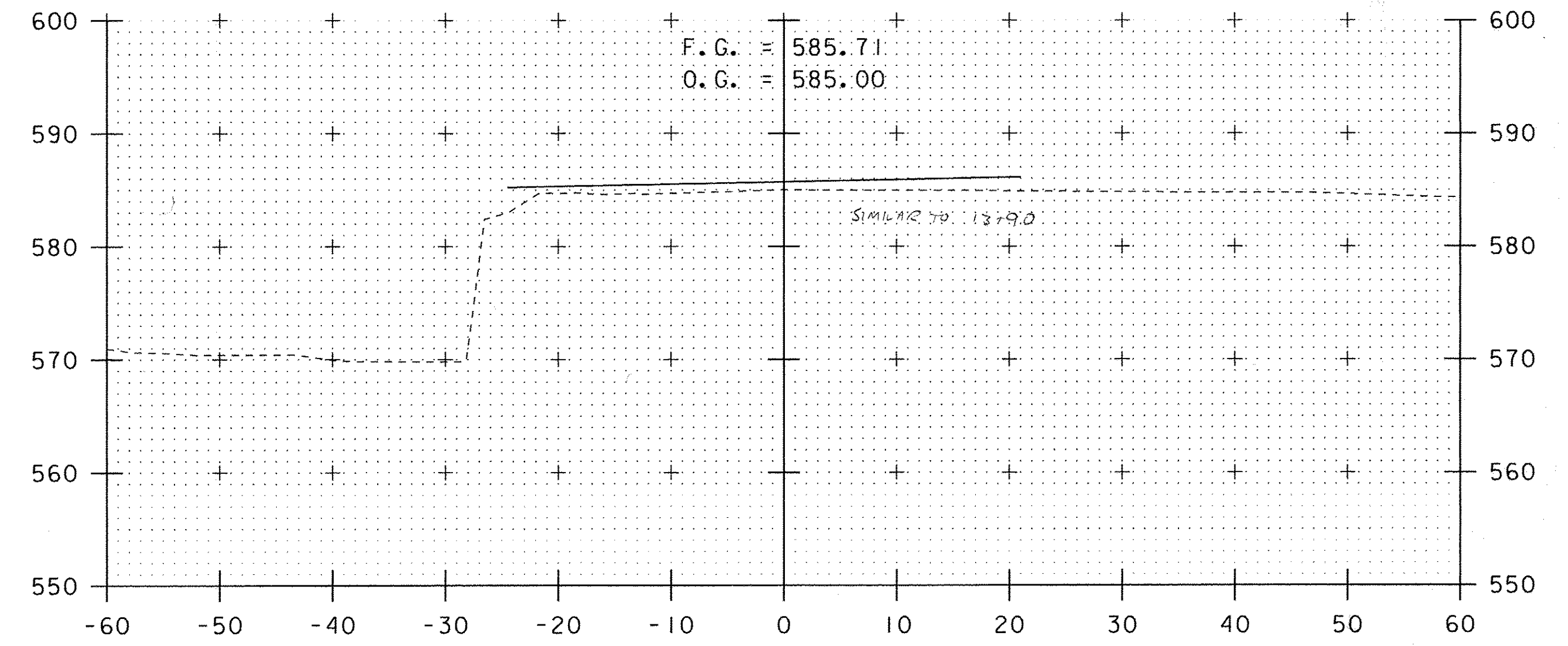


DENSE GRADED:
 ENDS @ 12+70
 $(41' \cdot 4') - (12 \cdot 3) = 14.8 \text{ SF}$
 $5.6' \cdot 4' \cdot \frac{1}{2} = 11 \text{ SF}$
130.8 SF

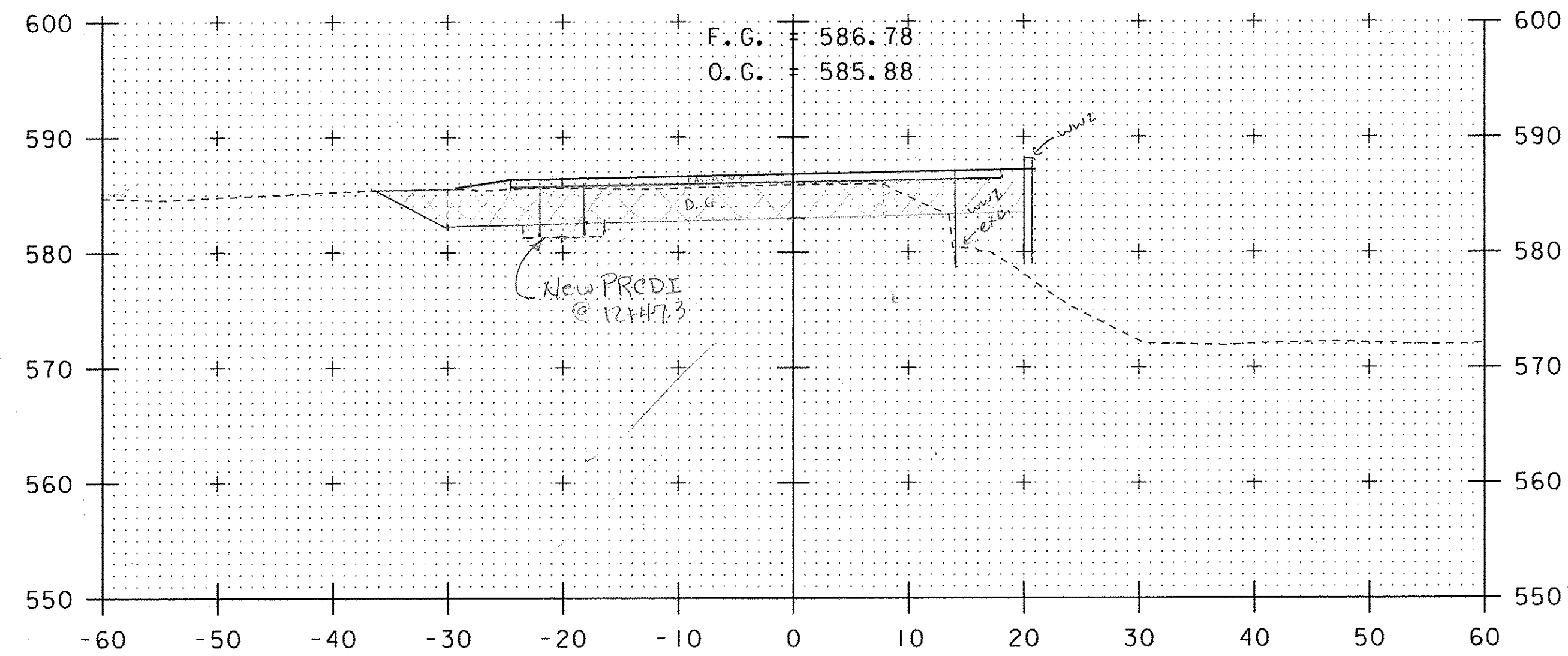
COMMON EXC:
 ENDS @ 12+70
 $36' \cdot 3' = 108 \text{ SF}$
 $3' \cdot 5' \cdot \frac{1}{2} = 7.5 \text{ SF}$
115.5 SF

12+75/12+70



F.G. = 585.71
 O.G. = 585.00

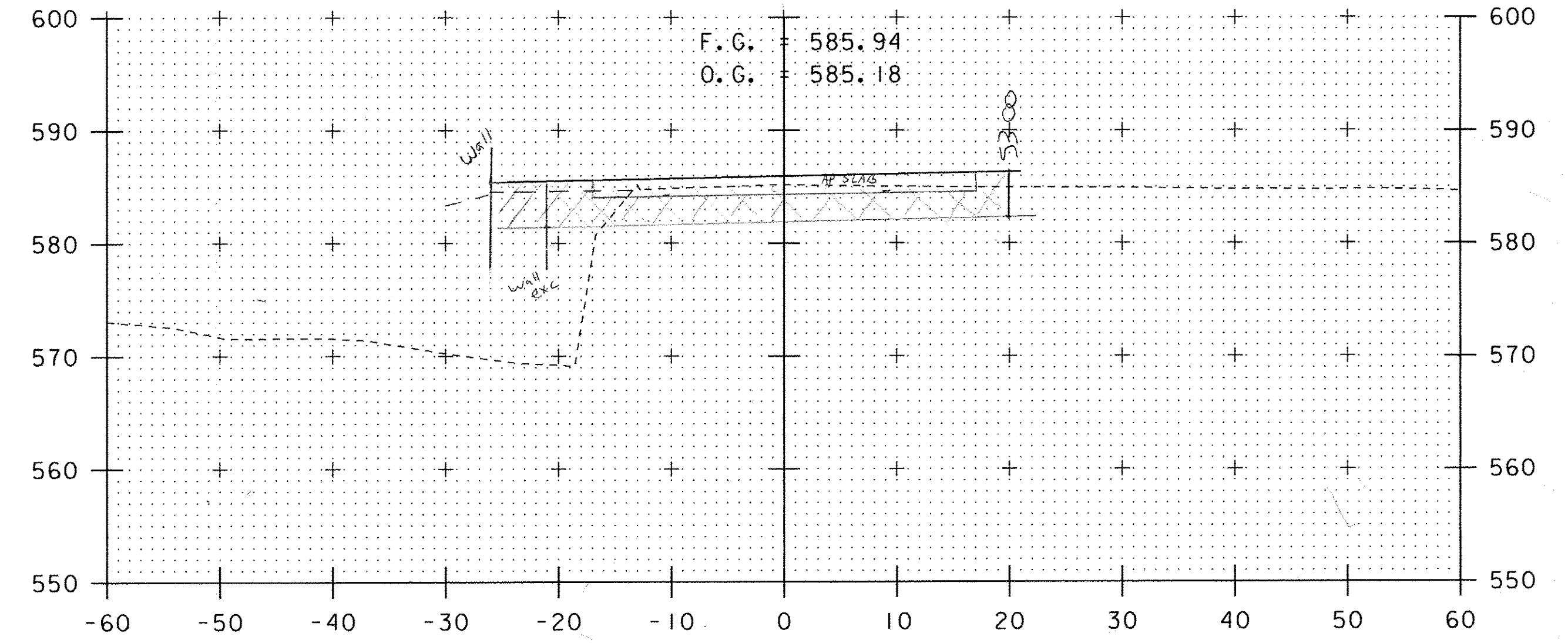
14+00



DENSE GRADED:
 $50' \cdot 2' = 100 \text{ SF}$
 $4.5' \cdot 1' = 4.5 \text{ SF}$
 $1' \cdot 1' = 1 \text{ SF}$
 $5' \cdot 3' \cdot \frac{1}{2} = 7.5 \text{ SF}$
113.0 SF

COMMON EXC:
 $38' \cdot 3' = 114 \text{ SF}$
 $5' \cdot 3' = 15 \text{ SF}$
 $5' \cdot 3' \cdot \frac{1}{2} = 7.5 \text{ SF}$
136.5 SF

12+50

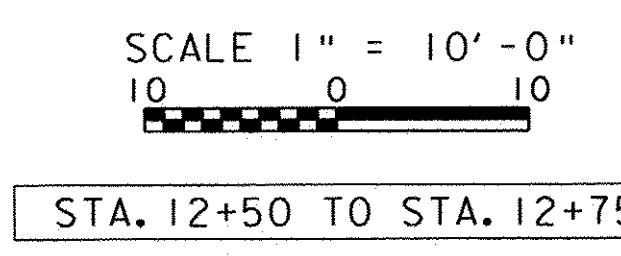


F.G. = 585.94
 O.G. = 585.18

13+90

DENSE GRADED:
 STARTS @ 13+90
 $46' \cdot 4' - (12 \cdot 2) = 115.8 \text{ SF}$
135.8 SF

COMMON EXC.
 STARTS @ 13+90
 $41' \cdot 2.5' = 102.5 \text{ SF}$



STA. 12+50 TO STA. 12+75

PROJECT NAME: CHESTER	PLOT DATE: 13-JUN-2011
PROJECT NUMBER: BRF 025-(137)	DRAWN BY: D.D.BEARD
FILE NAME: s95b168xst.dgn	CHECKED BY: -----
PROJECT LEADER: C.P.WILLIAMS	SHEET 1 OF 1
DESIGNED BY: R.S.YOUNG	
CONSTRUCTION CROSS SECTIONS	