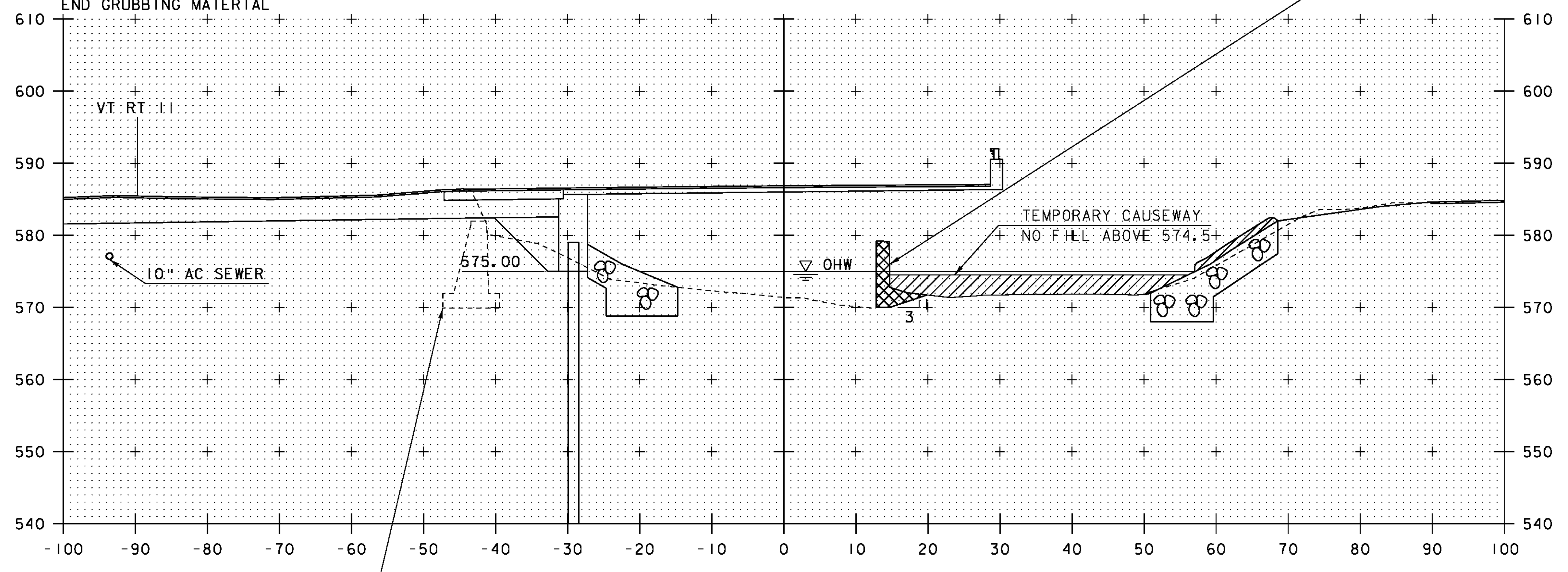


STA: 62+42.70 LT
 END UNCLASSIFIED CHANNEL EXCAVATION
 END GEOTEXTILE UNDER STONE FILL
 END STONE FILL, TYPE IV
 END GRUBBING MATERIAL

62+25

EXISTING ABUTMENT, REMOVE TO
 ELEVATION 574.00'. USE ITEM 529.15
 "REMOVAL OF STRUCTURE".

REMOVE EXISTING PIER & STREAMBED
 MATERIAL INSIDE CROSS-HATCHED
 AREA. USE ITEM 529.15 "REMOVAL
 OF STRUCTURE" FOR PIER REMOVAL,
 AND ITEM 203.27 "UNCLASSIFIED
 CHANNEL EXCAVATION" FOR REMOVAL
 OF STREAMBED MATERIAL.



EXISTING ABUTMENT, REMOVE TO
 ELEVATION 582.00'. USE ITEM 529.15
 "REMOVAL OF STRUCTURE".

62+00



STA. 62+00 TO STA. 62+25

PROJECT NAME: CHESTER	
PROJECT NUMBER: BRF 025-I(37) SC	
FILE NAME: s95b168xs3.dgn	PLOT DATE: 20-SEP-2010
PROJECT LEADER: C.P.WILLIAMS	DRAWN BY: D.D.BEARD
DESIGNED BY: R.S.YOUNG	CHECKED BY: R.S.YOUNG
BRIDGE 9 CHANNEL CROSS SECTIONS	SHEET 122 OF 124