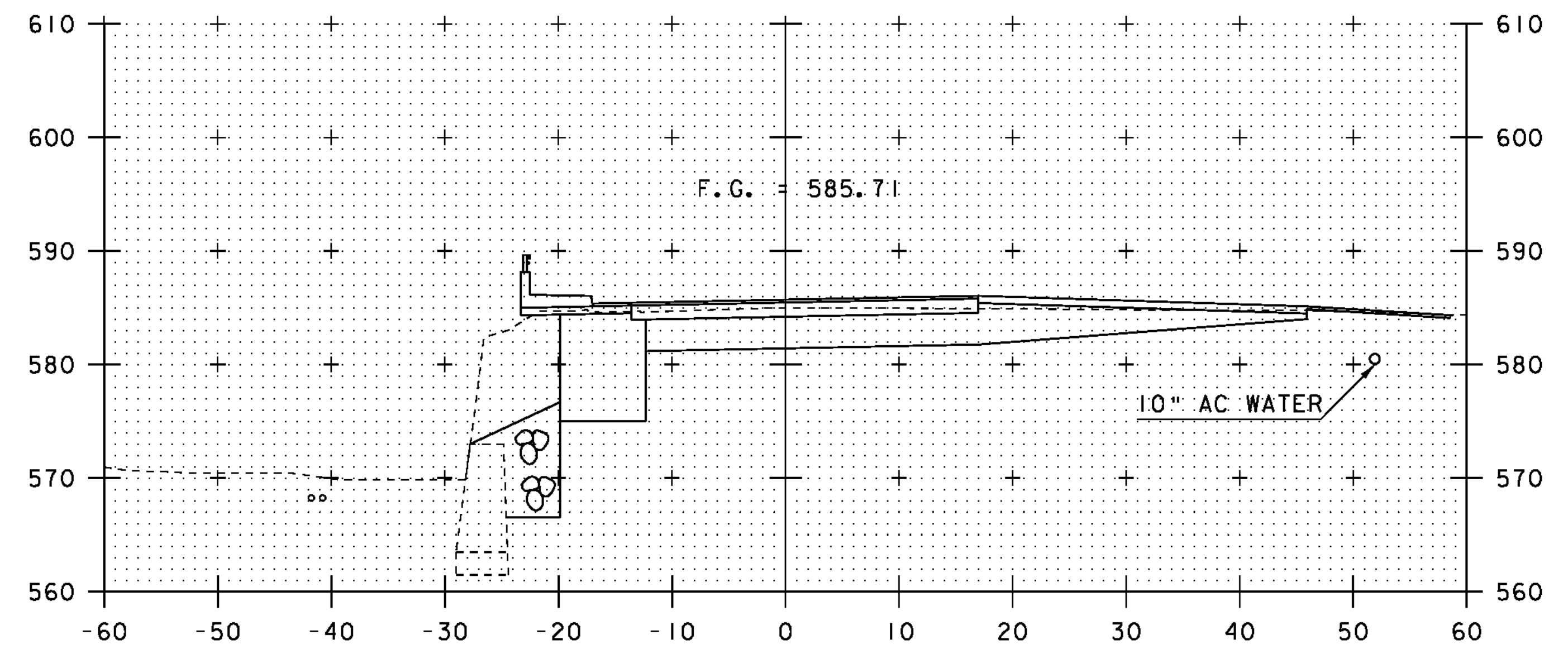


CL BEARING ABUTMENT #1
STATION 12+70.00

13+00

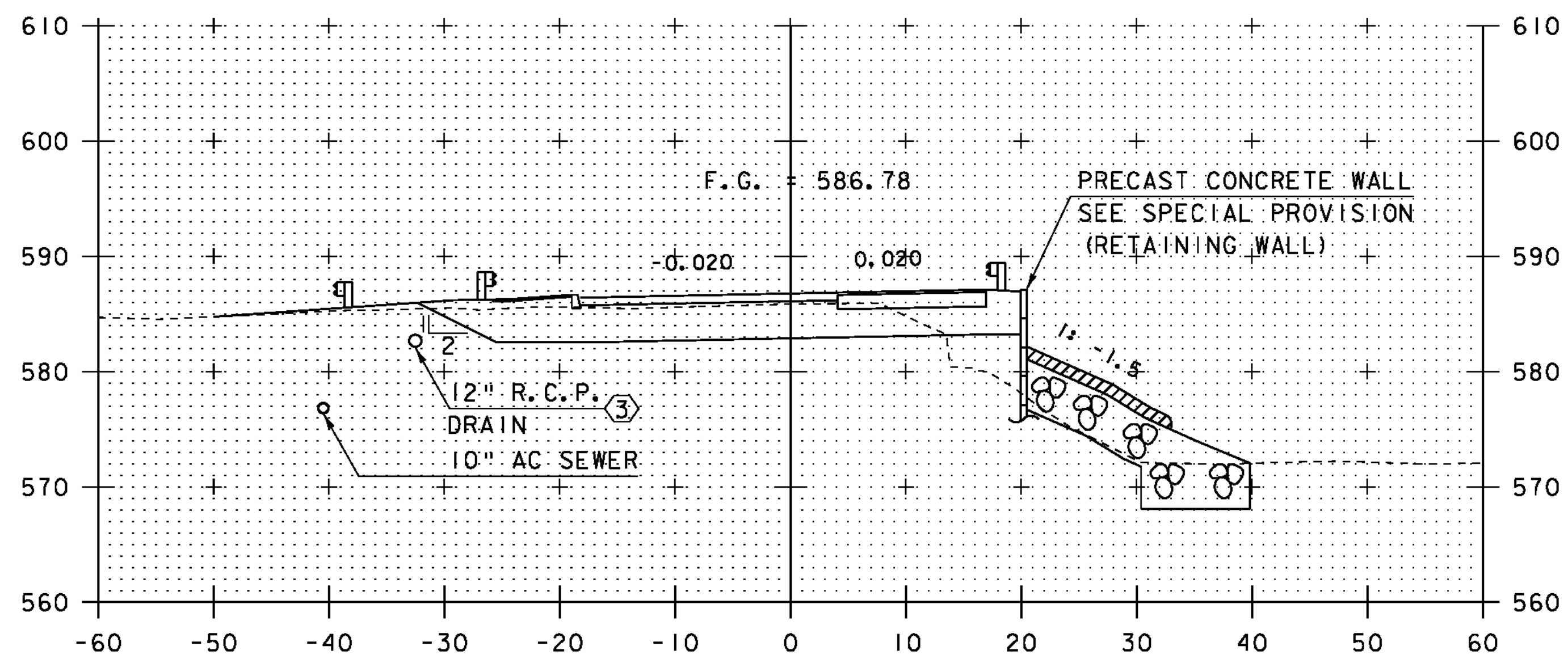
BEGIN BRIDGE
STATION 12+68.59



CL BEARING ABUTMENT #2
STATION 13+90.00

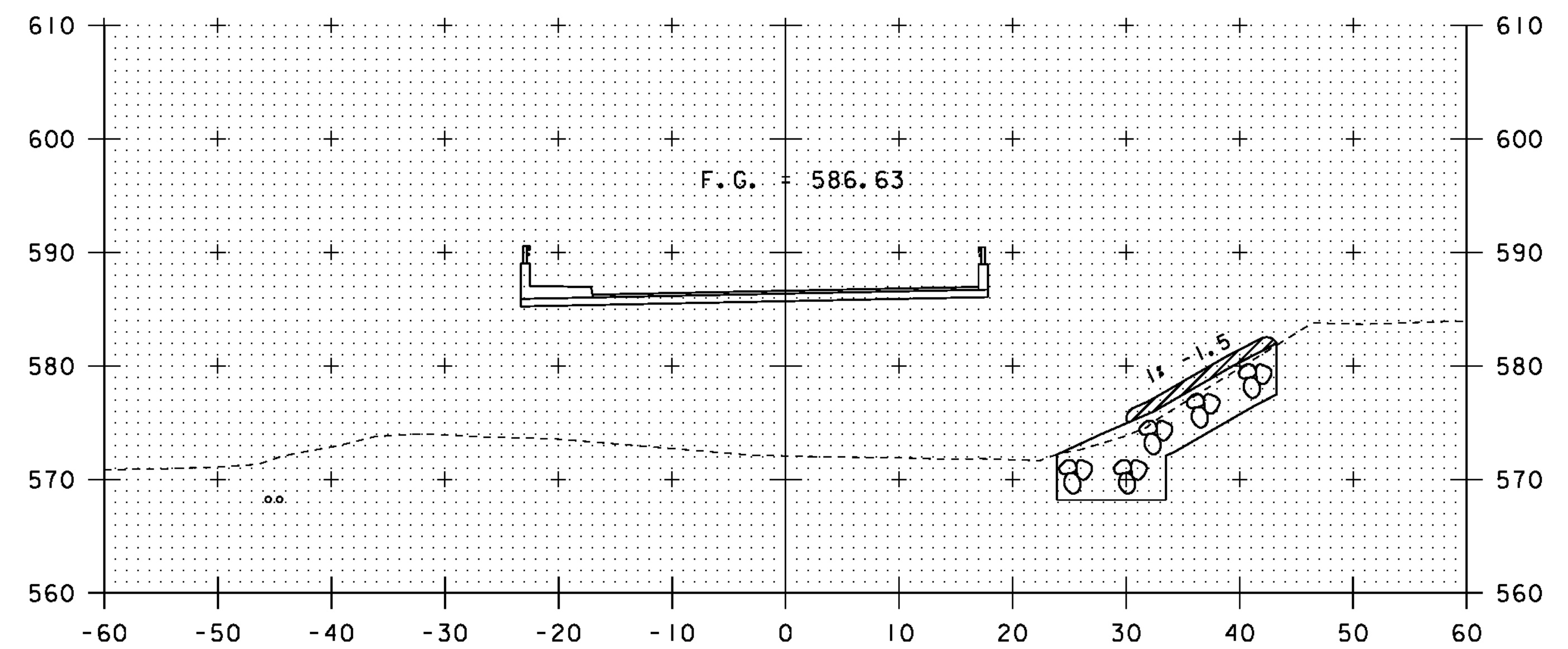
14+00

END BRIDGE
STATION 13+91.56

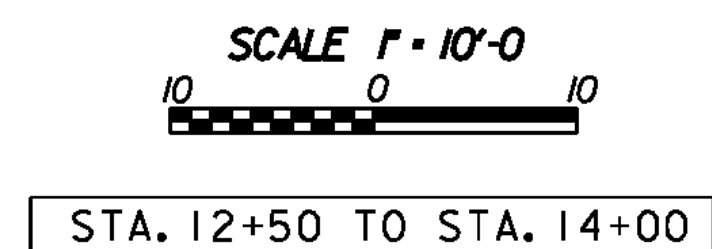


12+50

INLET ELEV = 581.66
OUTLET ELEV = 576.25 EST



13+50



PROJECT NAME: CHESTER	PLOT DATE: 20-SEP-2010
PROJECT NUMBER: BRF 025-(K37) SC	DRAWN BY: D.D.BEARD
FILE NAME: s95b168xsl.dgn	CHECKED BY: R.S.YOUNG
PROJECT LEADER: C.P.WILLIAMS	SHEET 116 OF 124
DESIGNED BY: R.S.YOUNG	
BRIDGE 9 MAINLINE CROSS SECTIONS	