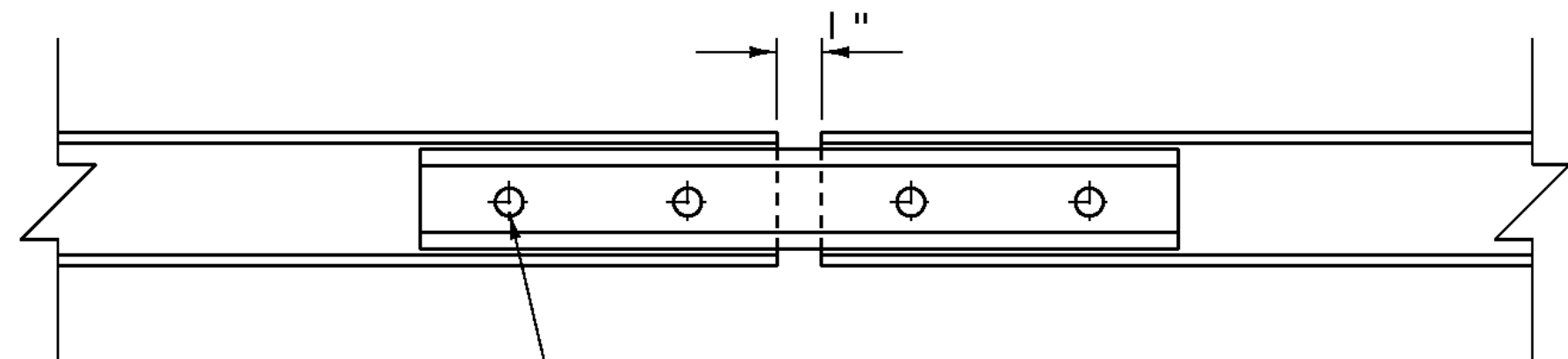
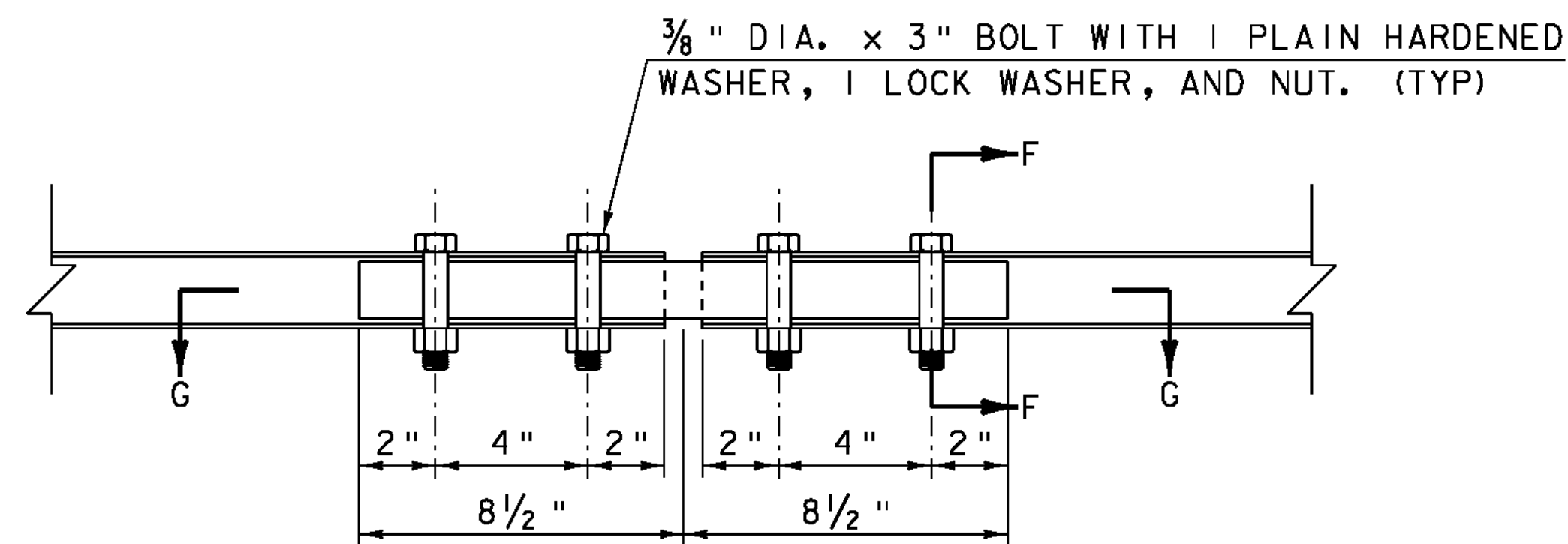


TOP RAIL SPLICE DETAIL

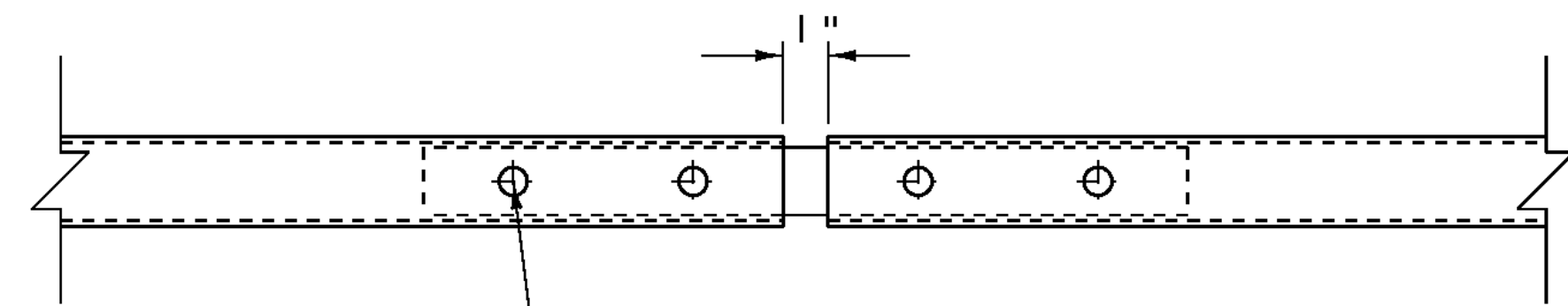


1/2" DIA. HOLE IN SPLICE ELEMENT AND HSS 4" x 3" x 1/4". (TYP)

SECTION E-E



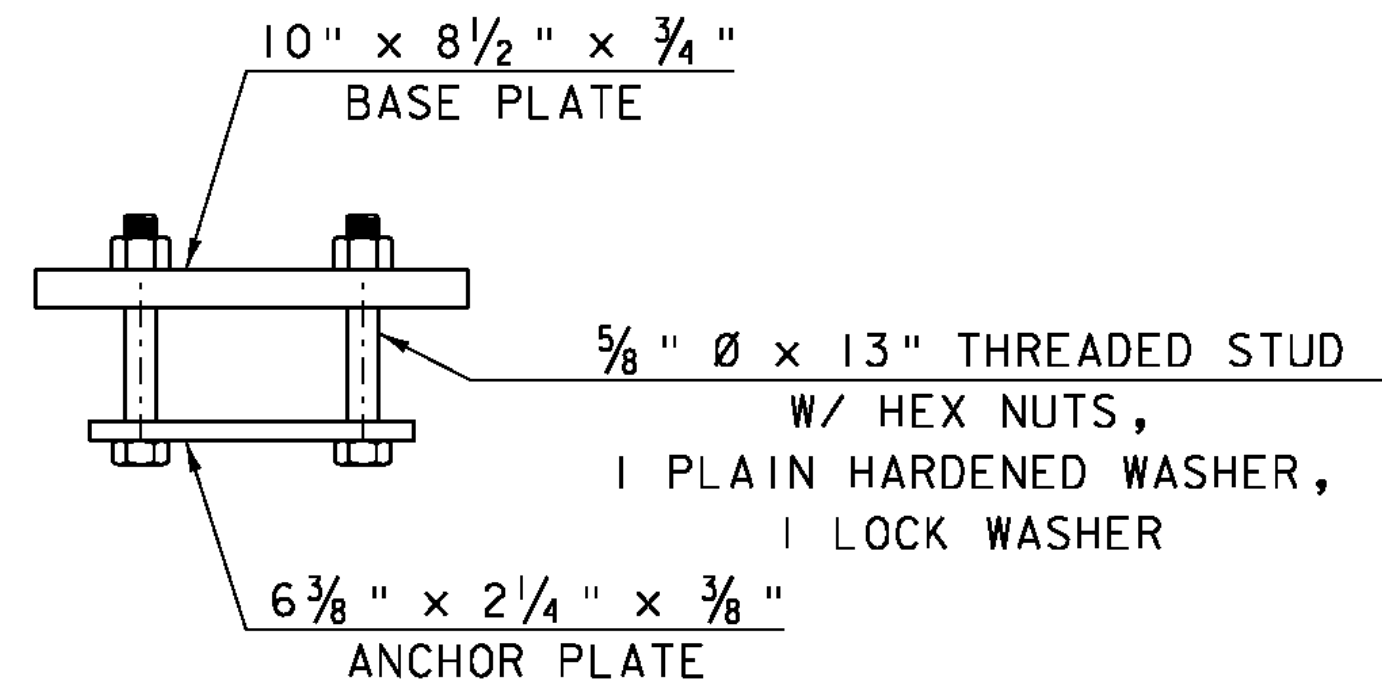
BOTTOM RAIL SPLICE DETAIL ELEVATION VIEW



1/2" DIA. HOLE IN SPLICE ELEMENT AND HSS 2" x 2" x 1/8". (TYP)

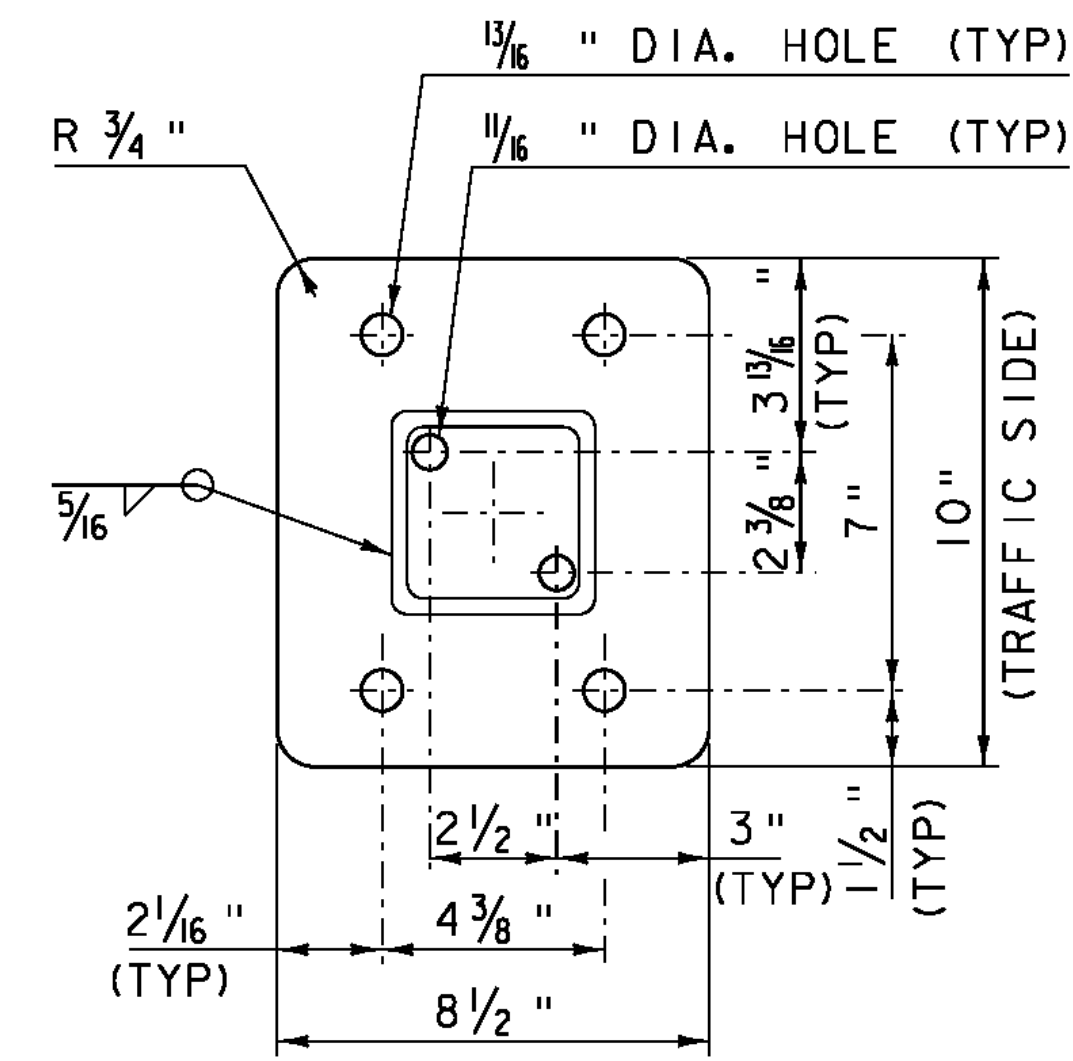
SECTION G-G

3/8" DIA. x 2" BOLT WITH 1 PLAIN HARDENED WASHER, AND LOCK NUT. WELD NUT TO INNER SLEEVE (TYP)



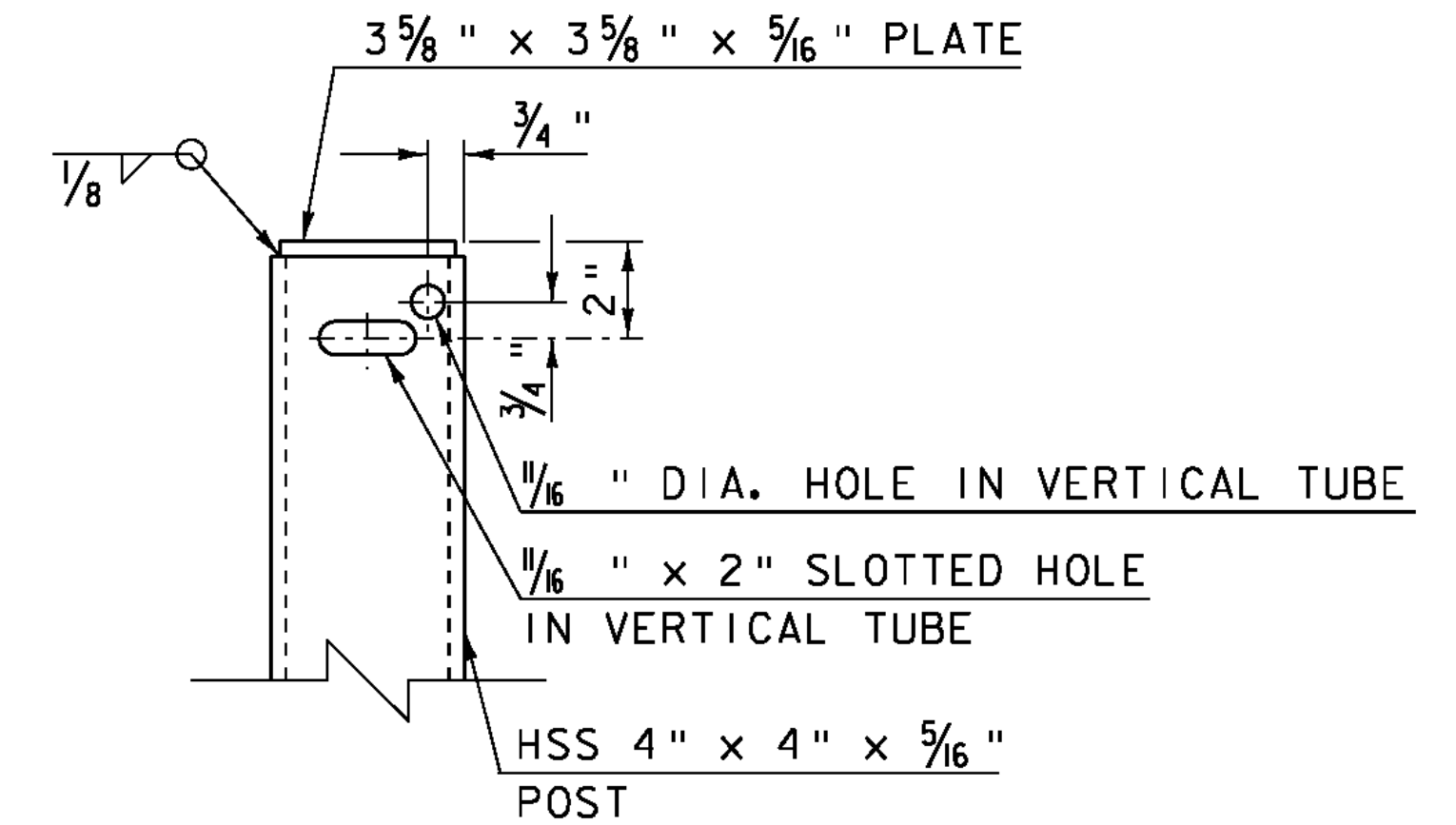
RAIL POST ANCHORAGE

N. T. S.



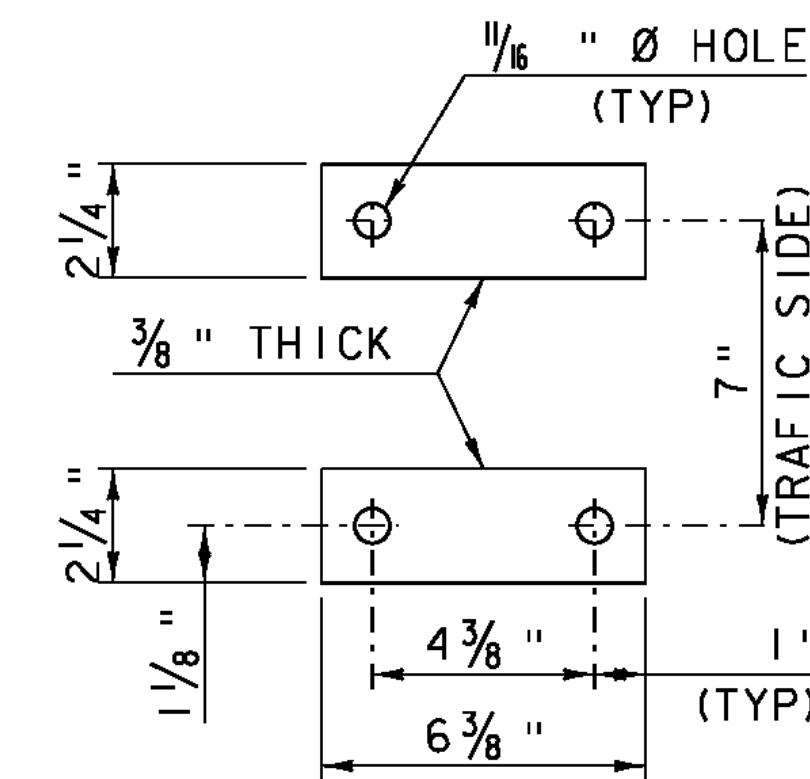
BASE PLATE

N. T. S.



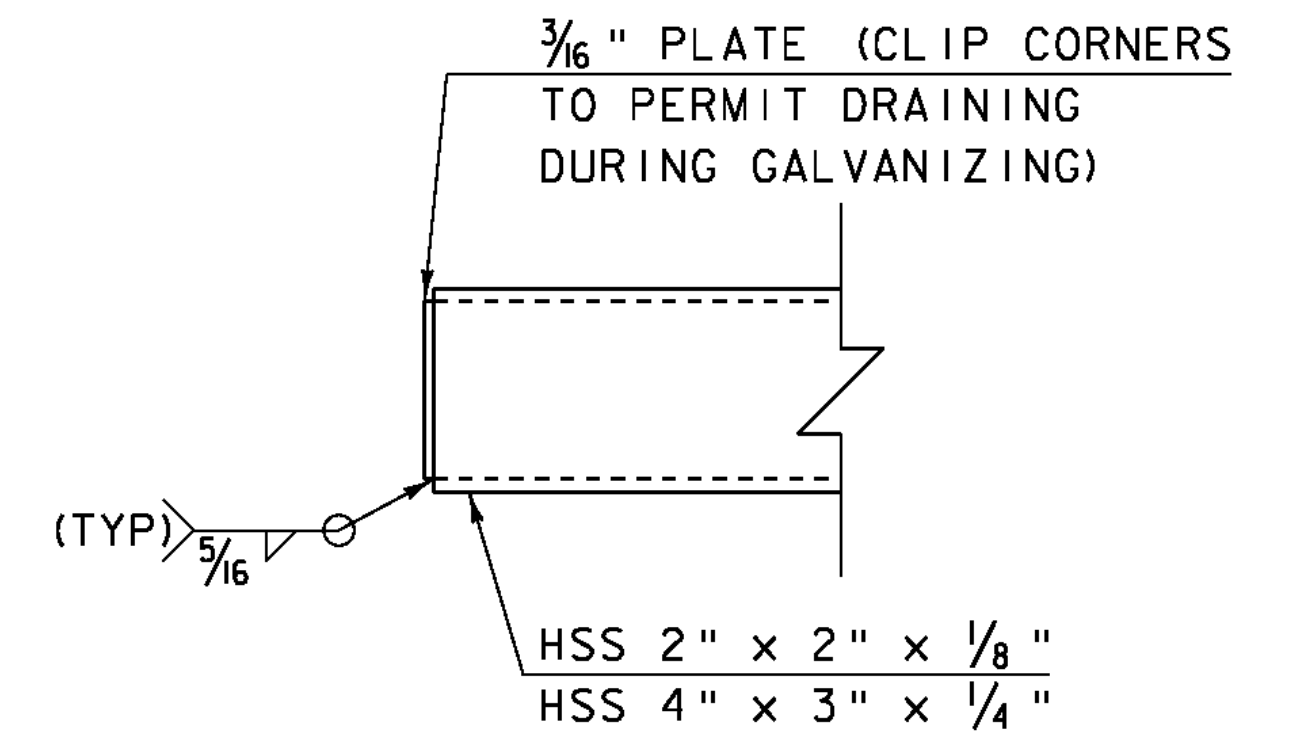
VERTICAL TUBE DETAIL (FRONT VIEW)

N. T. S.



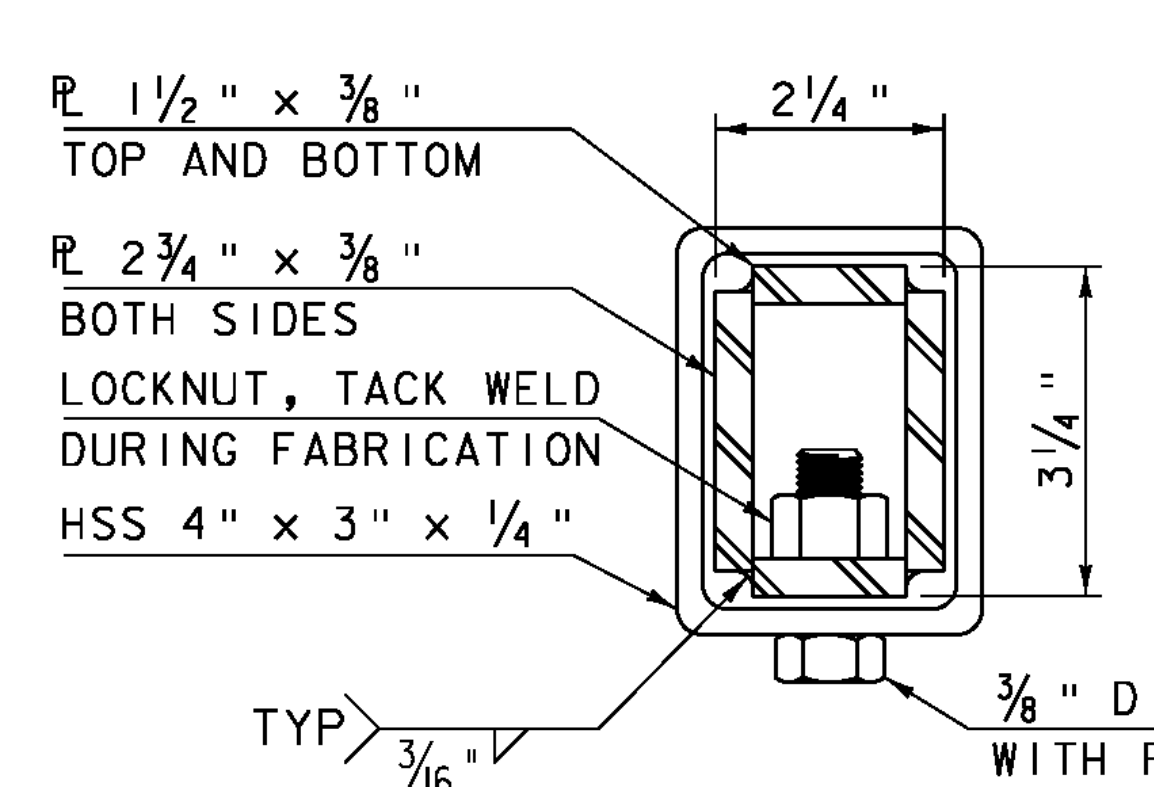
ANCHOR PLATES

N. T. S.



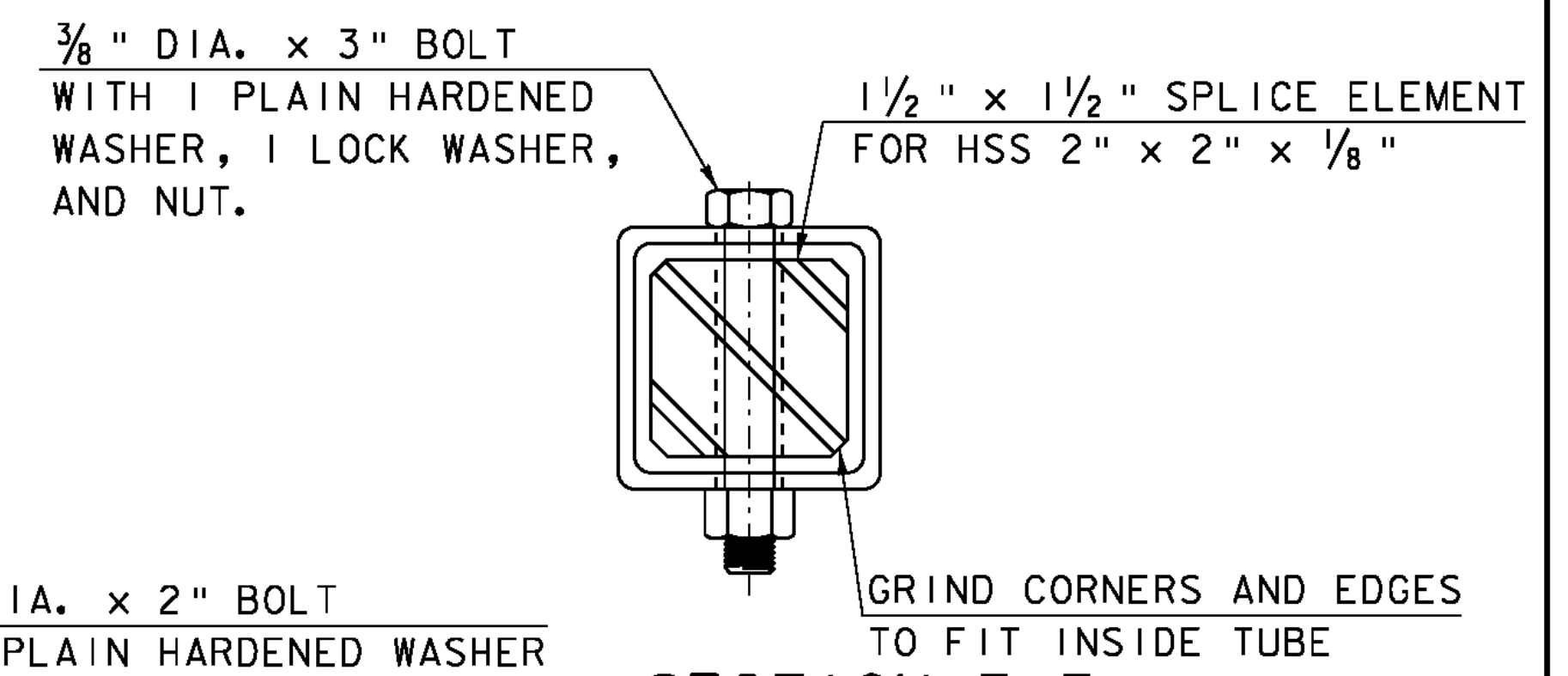
END OF RAIL DETAIL

N. T. S.



SECTION D-D (INNER SLEEVE)

N. T. S.



SECTION F-F

N. T. S.

PROJECT NAME: CHESTER
PROJECT NUMBER: BRF 025-1(37)

FILE NAME: s95b168r-01.dgn
PROJECT LEADER: C.P.WILLIAMS
DESIGNED BY: R.S.YOUNG
BRIDGE 9 BRIDGE RAIL DETAIL 2

PLOT DATE: 20-SEP-2010
DRAWN BY: D.D.BEARD
CHECKED BY: H.I.SALLS
SHEET 101 OF 124