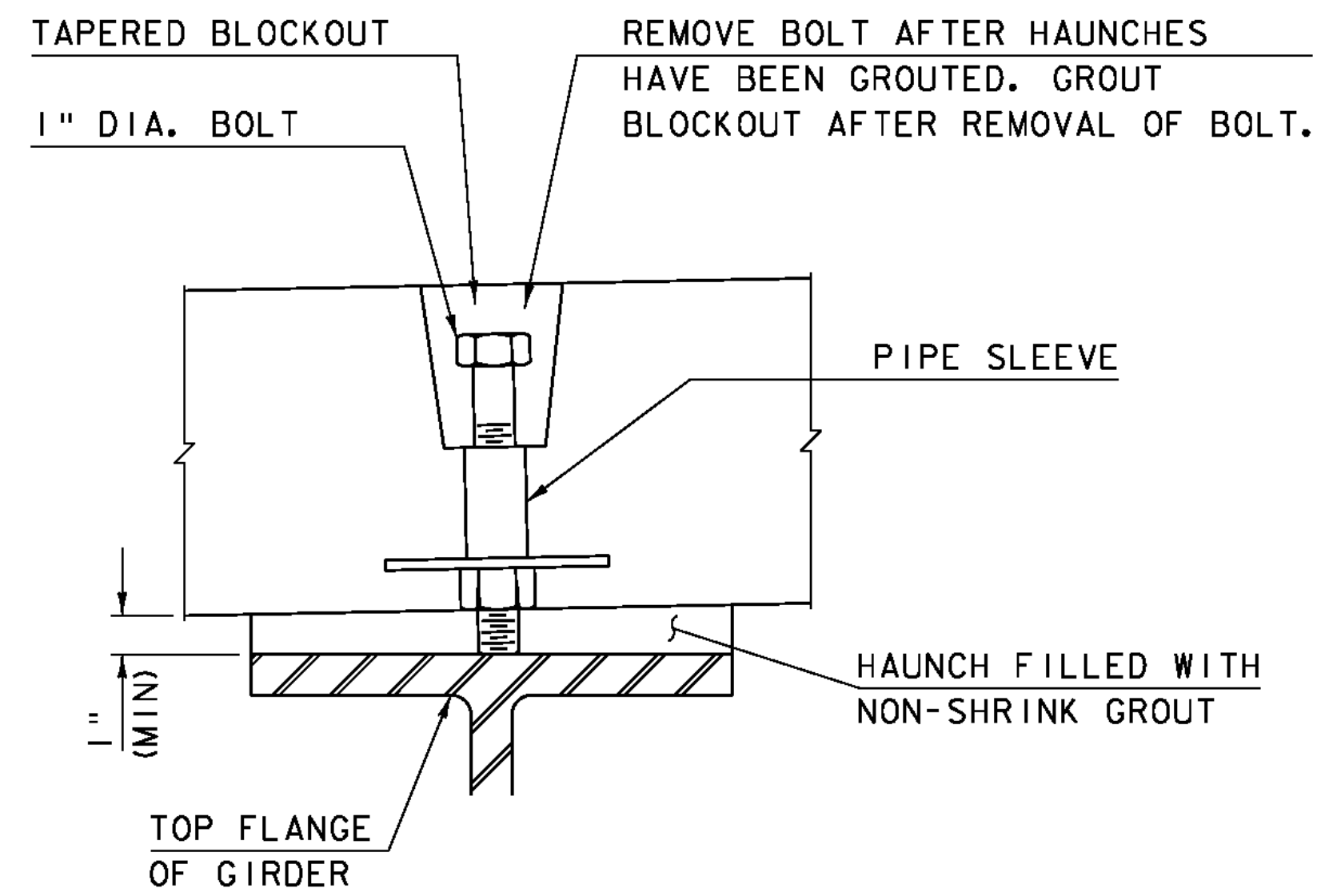


NOTE: ALTERNATE BLOCKOUTS MAY BE USED AS LONG AS THE NUMBER OF SHEAR STUDS PER GIRDER PER SLAB REMAINS THE SAME

SHEAR CONNECTOR BLOCKOUT DETAIL

SCALE 3" = 1'-0"



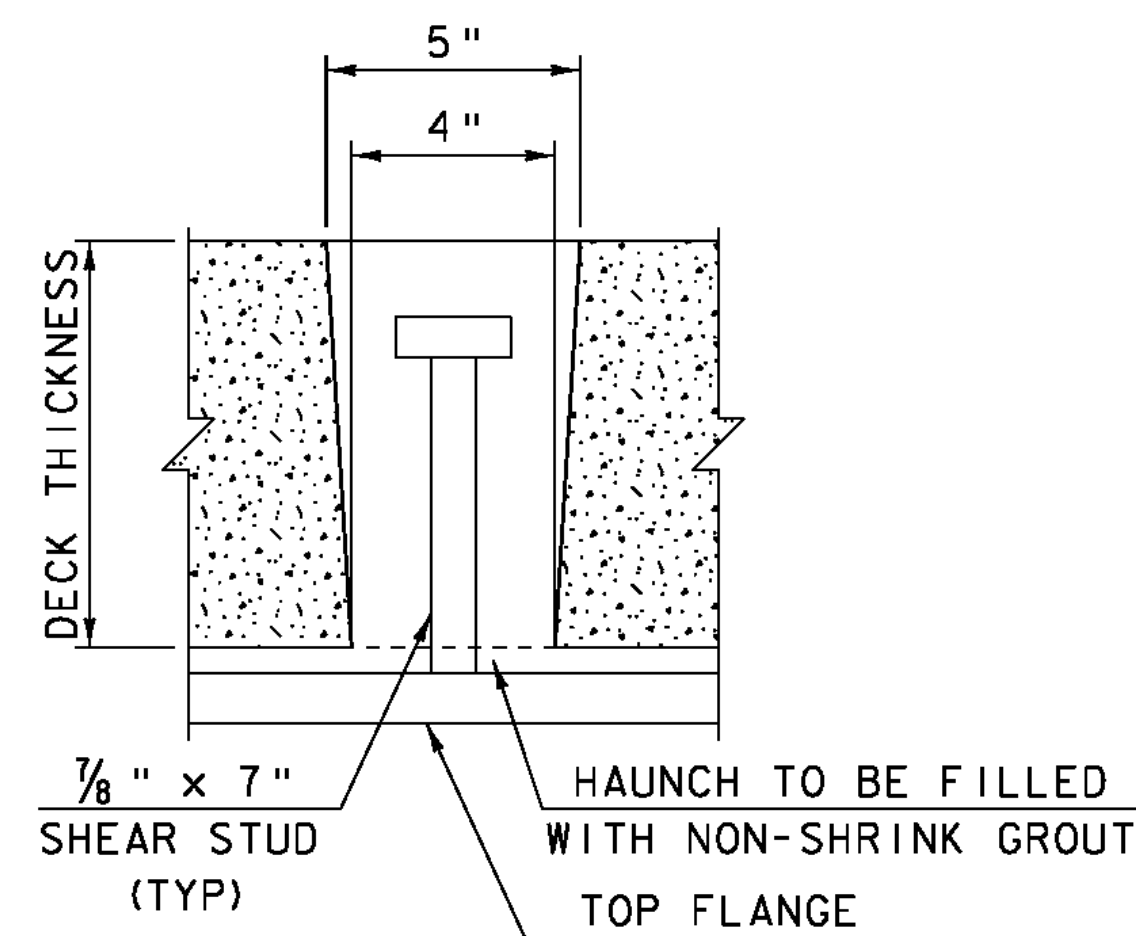
VERTICAL ADJUSTMENT DETAIL

SCALE 3" = 1'-0"

NOTES:

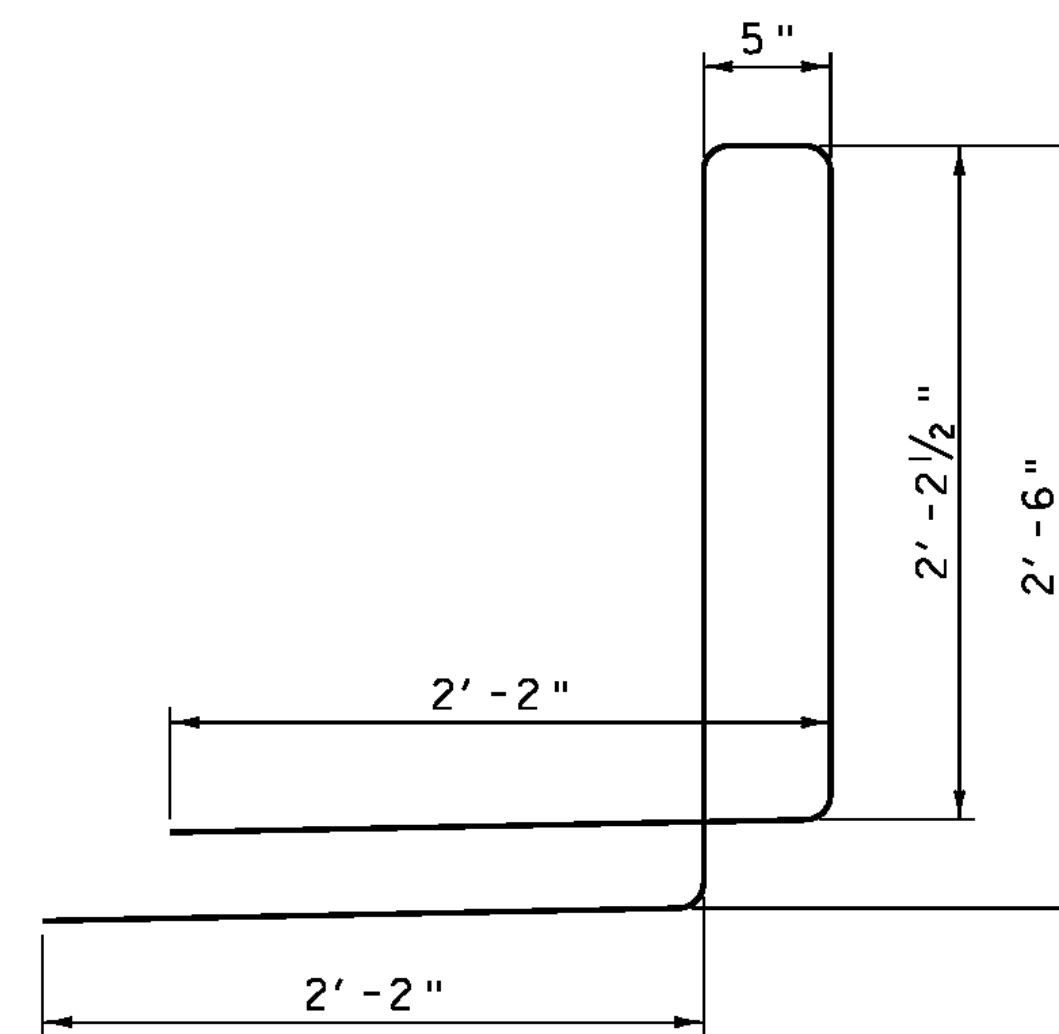
THE CONTRACTOR IS RESPONSIBLE FOR THE DESIGN OF THE LEVELING DEVICE BASED ON THE WEIGHT OF THE SLABS AND THE NUMBER OF DEVICES.

ALTERNATE DEVICES MAY BE SUBSTITUTED WITH APPROVAL FROM THE PROJECT MANAGER.



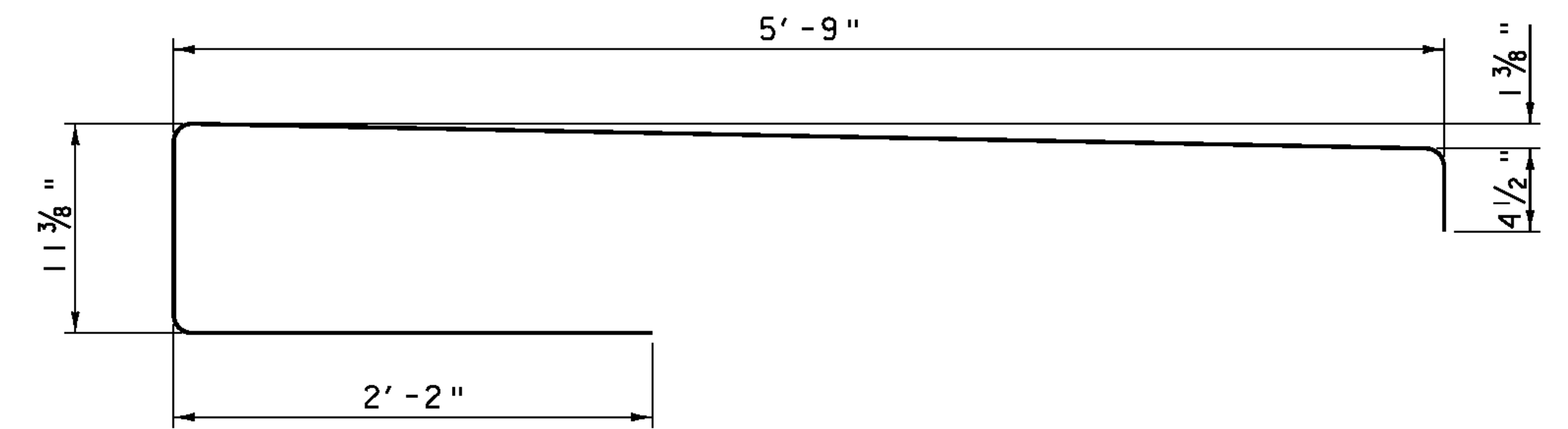
SHEAR CONNECTOR BLOCKOUT SECTION

SCALE 3" = 1'-0"



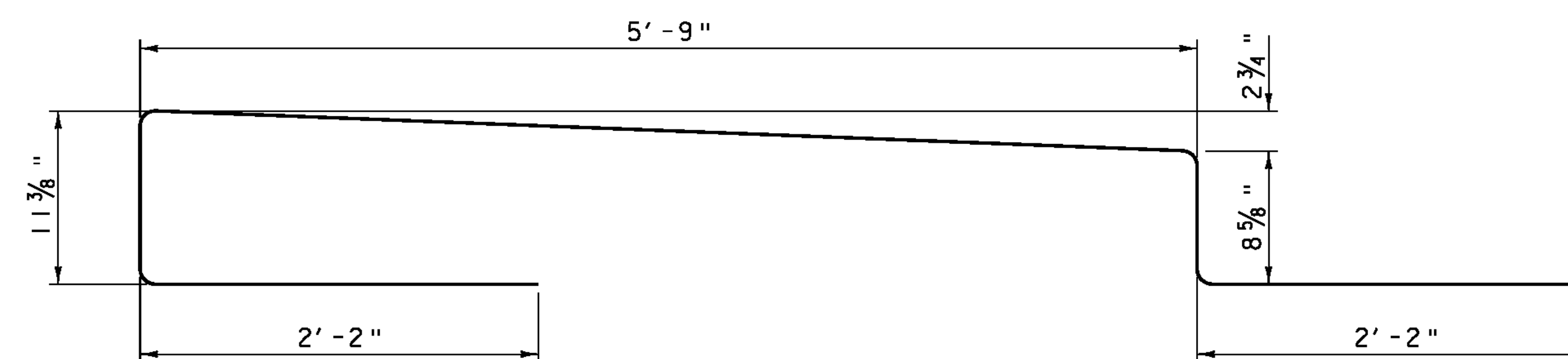
BAR #4D1

(172 - REQUIRED)
SCALE 6" = 1'-0"



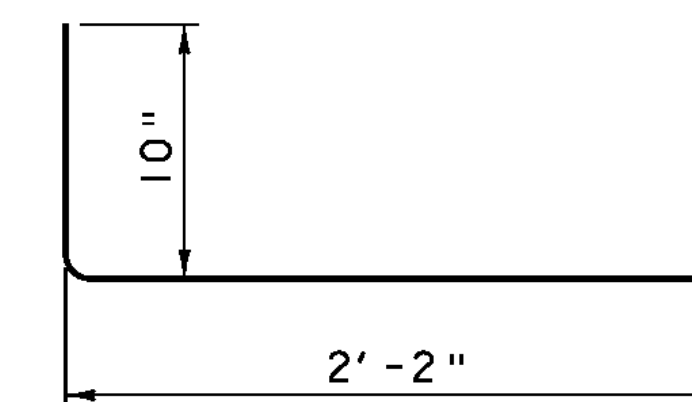
BAR #4D4

(2 - REQUIRED)
SCALE 6" = 1'-0"



BAR #4D2

(114 - REQUIRED)
SCALE 6" = 1'-0"



BAR #4D3

(2 - REQUIRED)
SCALE 6" = 1'-0"

PROJECT NAME: CHESTER
PROJECT NUMBER: BRF 025-1(37)

FILE NAME: 95b168\s95b168deckpanels.dgn PLOT DATE: 20-SEP-2010
PROJECT LEADER: C.P.WILLIAMS DRAWN BY: D.D.BEARD
DESIGNED BY: H.I.SALLS CHECKED BY: R.S.YOUNG
BR9 PRECAST DECK MISCELLANEOUS DETAILS SHEET 91 OF 124