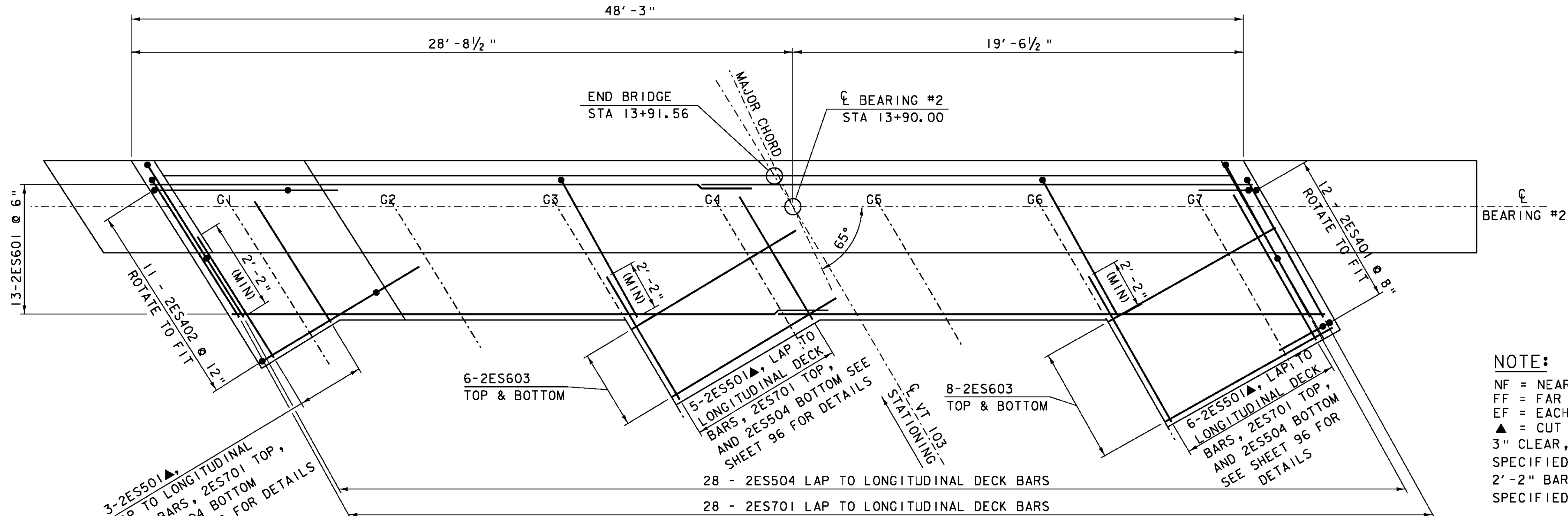


**ABUTMENT #1 CLOSURE POUR REINFORCING**

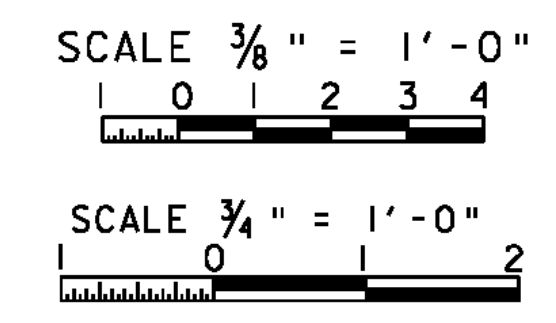
SCALE 3/8" = 1'-0"  
NOTE: REBAR IN PRECAST SLABS NOT SHOWN



**ABUTMENT #2 CLOSURE POUR REINFORCING**

SCALE 3/8" = 1'-0"  
NOTE: REBAR IN PRECAST SLABS NOT SHOWN

**NOTE:**  
NF = NEAR FACE  
FF = FAR FACE  
EF = EACH FACE  
▲ = CUT TO FIT IN FIELD  
3" CLEAR, UNLESS OTHERWISE SPECIFIED ON THE PLANS.  
2'-2" BAR LAP UNLESS OTHERWISE SPECIFIED ON THE PLANS.



PROJECT NAME: CHESTER	PLOT DATE: 20-SEP-2010
PROJECT NUMBER: BRF 025-1(37)	DRAWN BY: D.D.BEARD
FILE NAME: 95b168\s95b168sub.dgn	CHECKED BY: R.S.YOUNG
PROJECT LEADER: C.P.WILLIAMS	BRIDGE 9 CLOSURE POUR DETAILS
DESIGNED BY: R.S.YOUNG	SHEET 90 OF 124