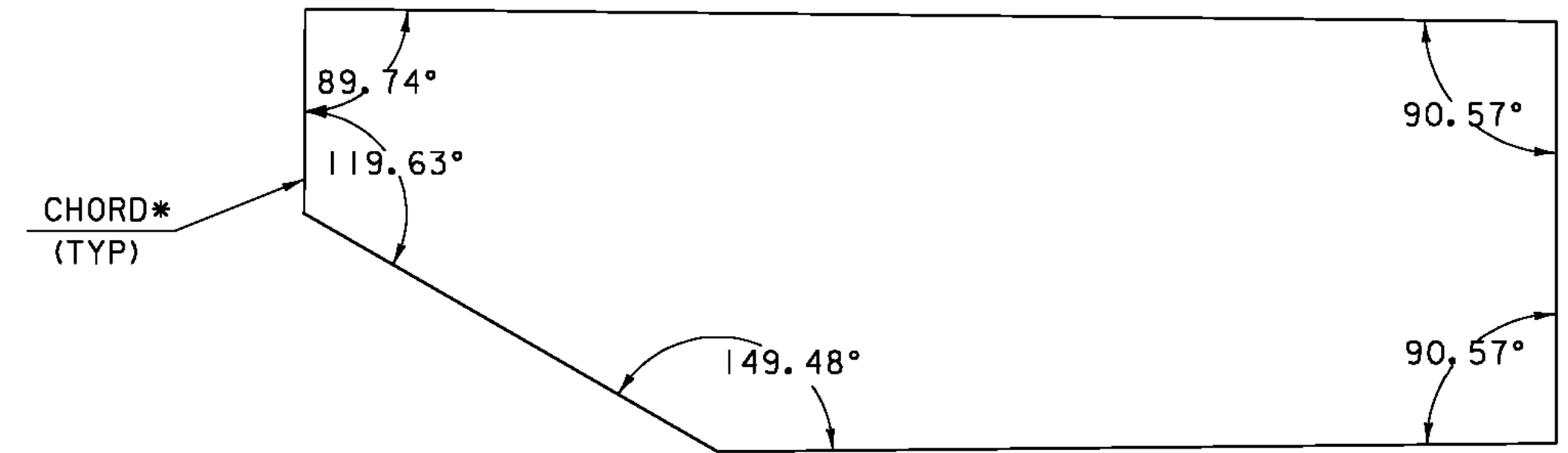
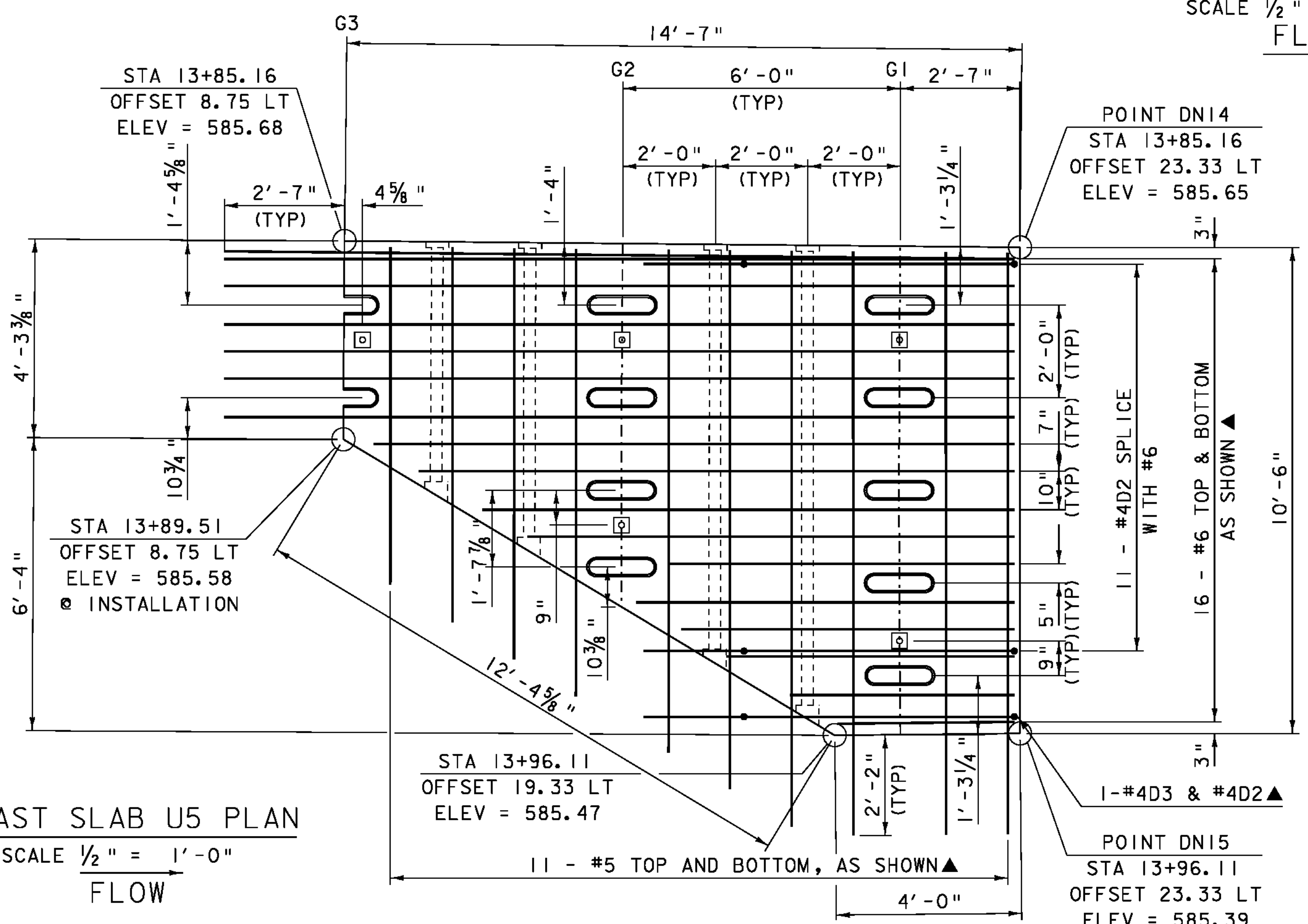


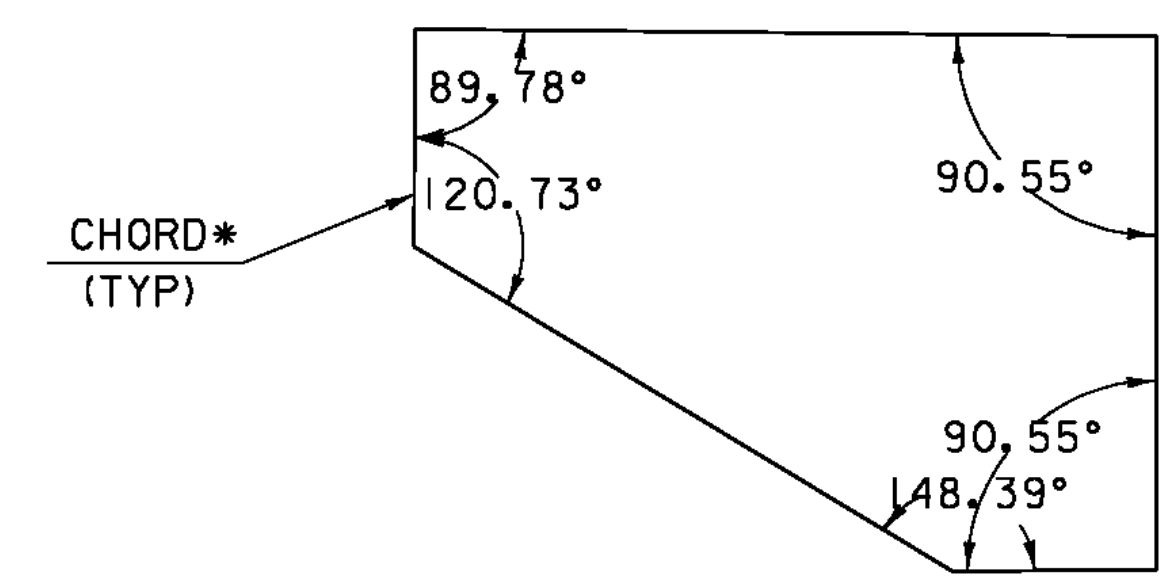
PRECAST SLAB U4 PLAN  
SCALE 1/2" = 1'-0"  
FLOW



U14 ANGLES



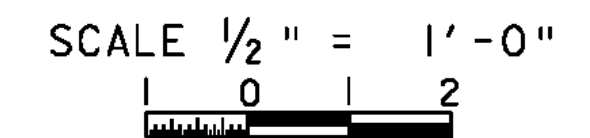
PRECAST SLAB U5 PLAN  
SCALE 1/2" = 1'-0"  
FLOW



U15 ANGLES

NOTE:  
NF = NEAR FACE  
FF = FAR FACE  
EF = EACH FACE  
▲ = CUT TO FIT IN FIELD  
3" CLEAR, UNLESS OTHERWISE SPECIFIED ON THE PLANS.  
2'-2" BAR LAP UNLESS OTHERWISE SPECIFIED ON THE PLANS.

\* ANGLES ARE IN REFERENCE TO THE CHORD BETWEEN POINTS OF CURVATURE AT THE CORNERS. THE SLAB FASCIAS SHALL BE FORMED RADIAL.



PROJECT NAME:	CHESTER
PROJECT NUMBER:	BRF 025-1(37)
FILE NAME:	95b168\95b168deckpanels.dgn
PROJECT LEADER:	C.P.WILLIAMS
DESIGNED BY:	H.I.SALLS
BRIDGE 9 PRECAST DECK SLAB DETAILS 3	
PLOT DATE:	21-SEP-2010
DRAWN BY:	D.D.BEARD
CHECKED BY:	R.S.YOUNG
SHEET	89 OF 124