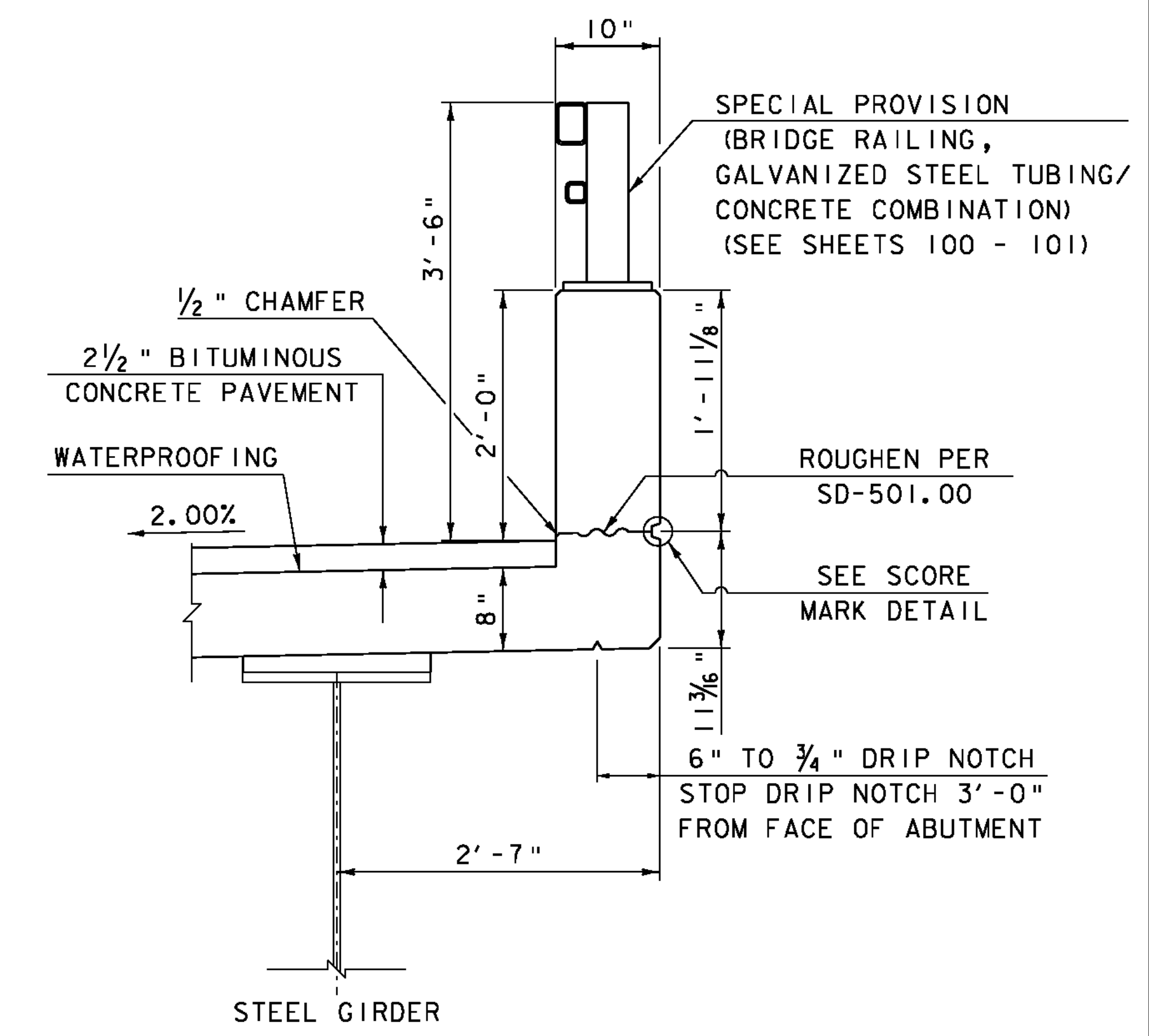


TYPICAL BRIDGE SECTION

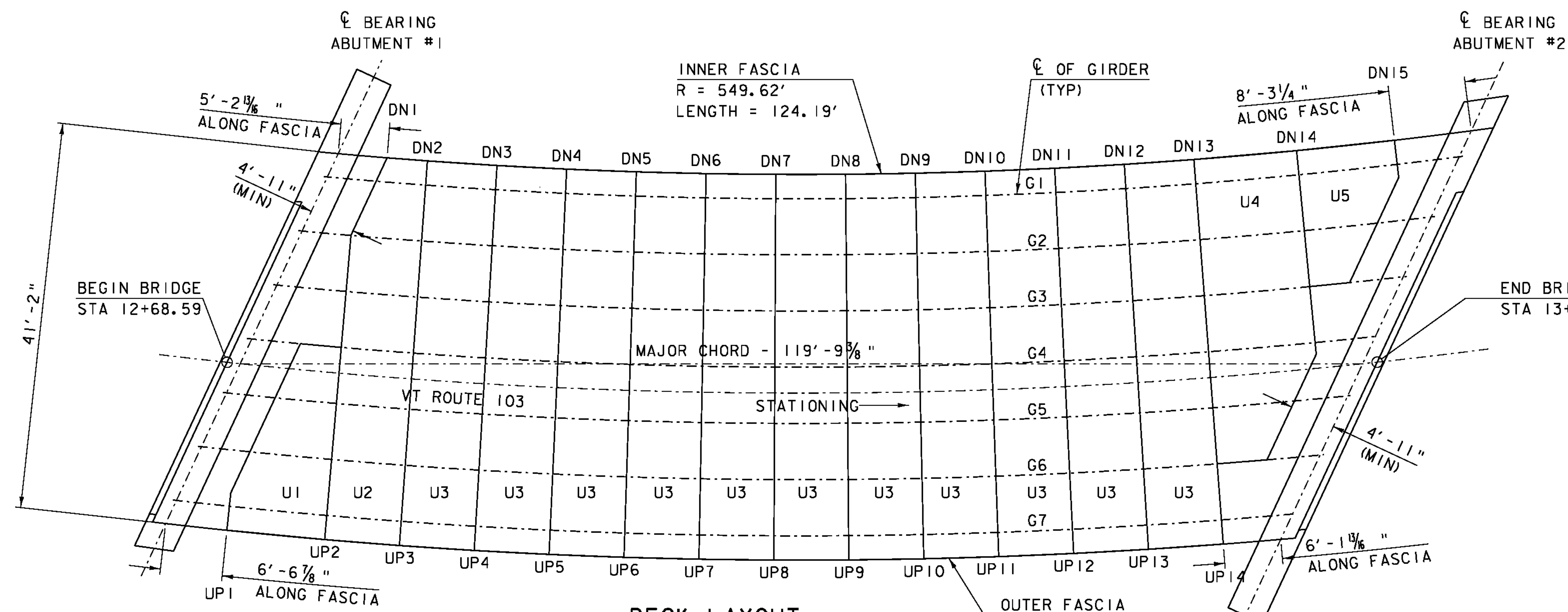
SCALE 1" = 3'-0"

* 1/4" TYPE IV OVER
1/4" TYPE IV
NOTE: ALL TRANSVERSE DIMENSIONS ARE RADIAL



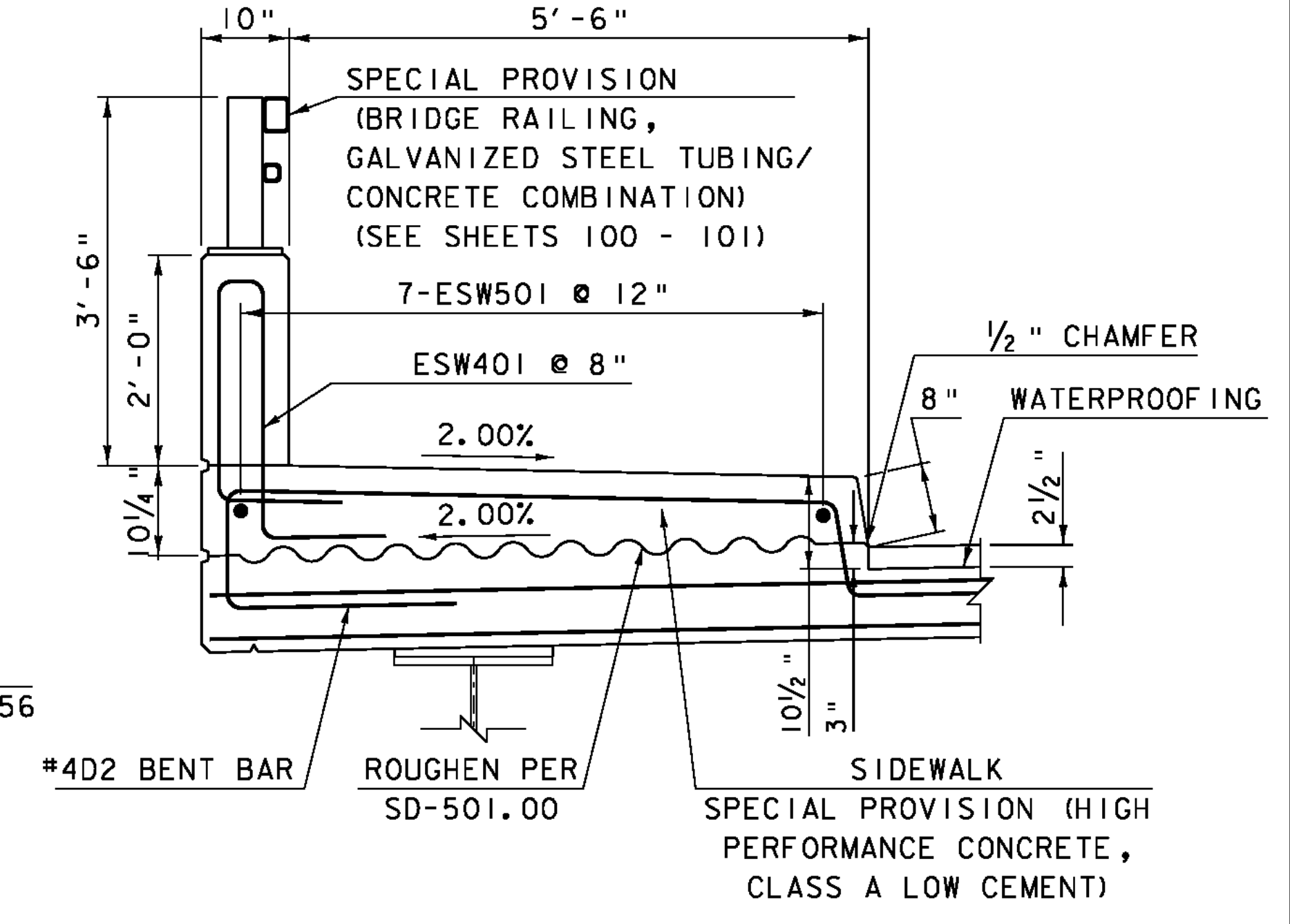
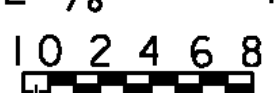
TYPICAL RAIL W/O SIDEWALK

N. T. S.



DECK LAYOUT

SCALE 1/8" = 1'-0"



TYPICAL RAIL WITH SIDEWALK

N. T. S.

PROJECT NAME: CHESTER	PLOT DATE: 20-SEP-2010
PROJECT NUMBER: BRF 025-1(37)	DRAWN BY: D.D.BEARD
FILE NAME: Structures\s95b168sup.dgn	CHECKED BY: R.S.YOUNG
PROJECT LEADER: C.P.WILLIAMS	SHEET 86 OF 124
DESIGNED BY: E.R.CHARBONNEAU	
BRIDGE 9 DECK LAYOUT DETAILS	