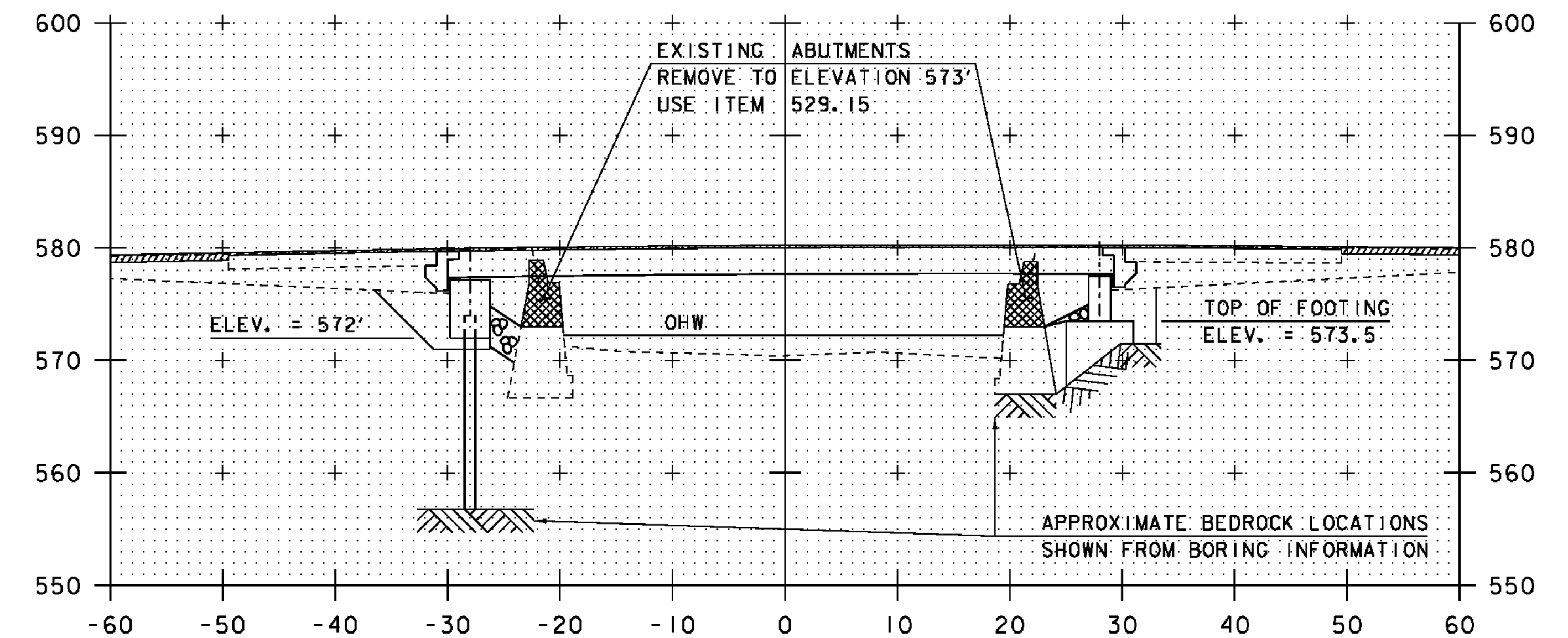


10+25

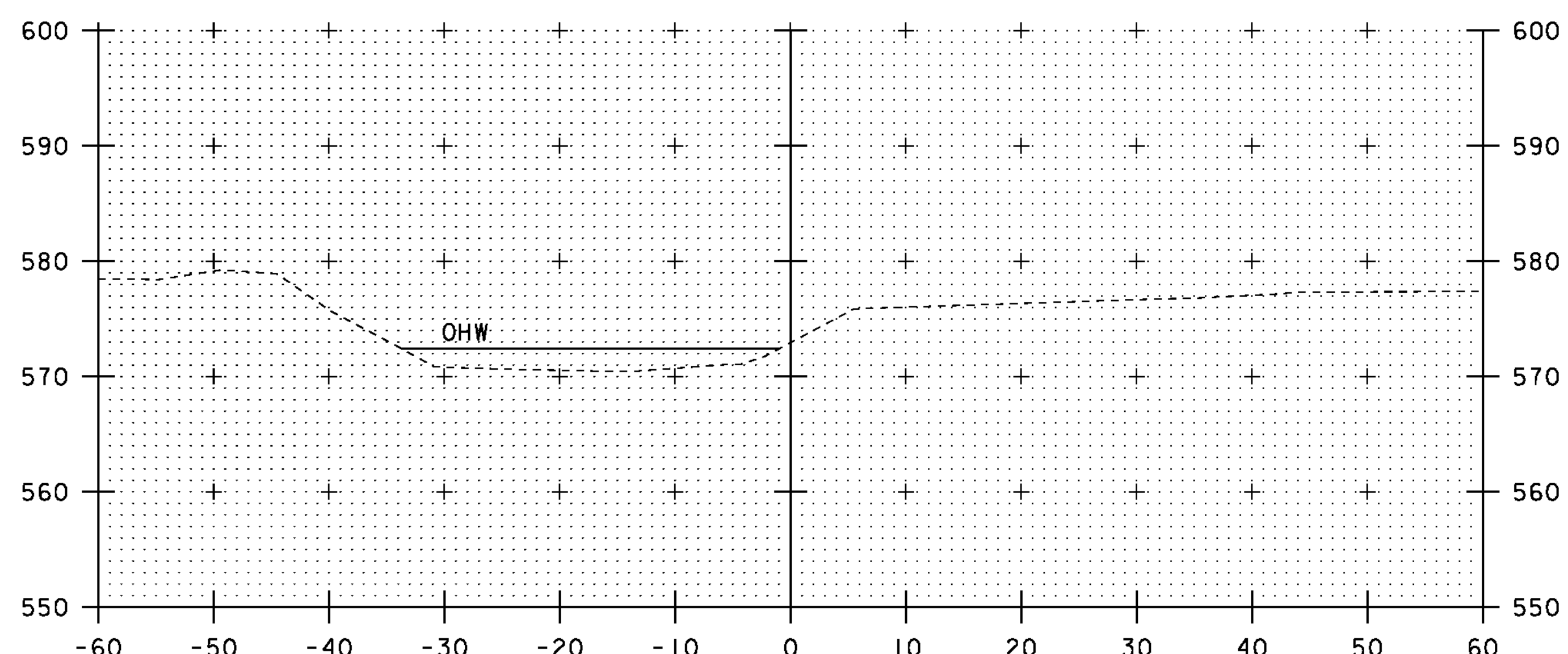


10+75

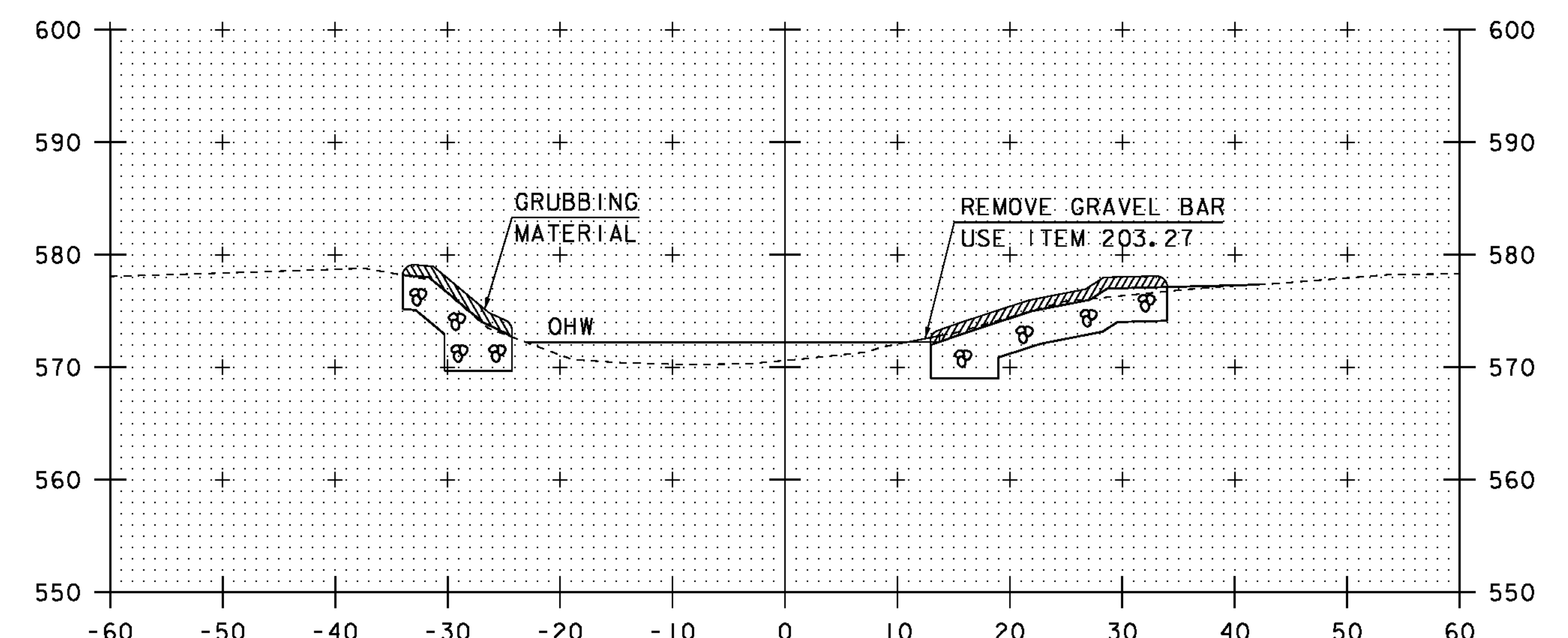
BEGIN STONE FILL, TYPE III
 GEOTEXTILE UNDER STONE FILL
 GRUBBING MATERIAL
 UNCLASSIFIED CHANNEL EXCAVATION
 STA 10+50.35 LT

END GRUBBING MATERIAL
 STA 10+57.00 LT AND RT

END REMOVAL OF GRAVEL BAR
 STA 10+61.00 RT



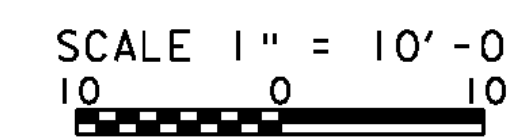
10+00



10+50

BEGIN REMOVAL OF GRAVEL BAR
 STONE FILL, TYPE III
 GEOTEXTILE UNDER STONE FILL
 GRUBBING MATERIAL
 STA 10+41.30 RT
 UNCLASSIFIED CHANNEL EXCAVATION
 STA 10+48.00 RT

STA. 10+00 TO STA. 10+75



| | |
|-----------------------------------|------------------------|
| PROJECT NAME: CHESTER | |
| PROJECT NUMBER: BRF 025-1(28) | |
| FILE NAME: s84e061/Str/xsl.dgn | PLOT DATE: 20-SEP-2010 |
| PROJECT LEADER: C.P.WILLIAMS | DRAWN BY: M.FESSEL |
| DESIGNED BY: R.S.YOUNG | CHECKED BY: R.S.YOUNG |
| BRIDGE 8 CHANNEL CROSS SECTIONS I | SHEET 54 OF 124 |