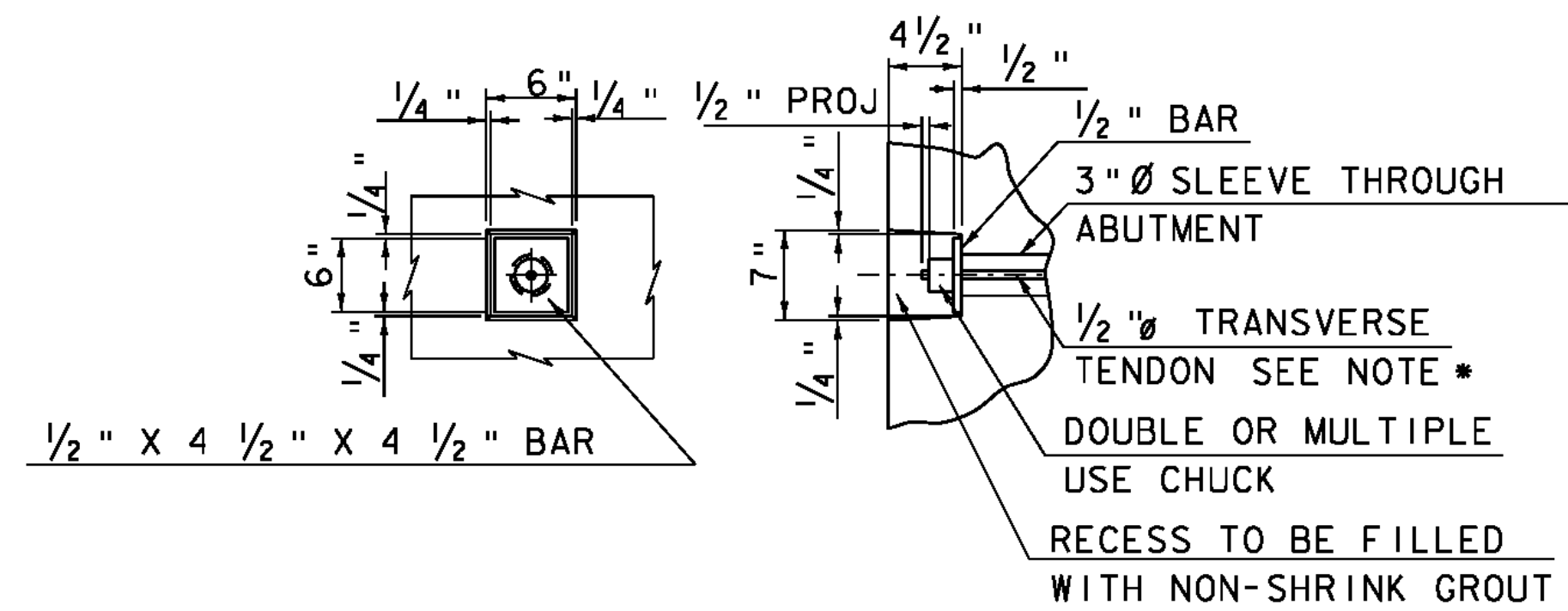
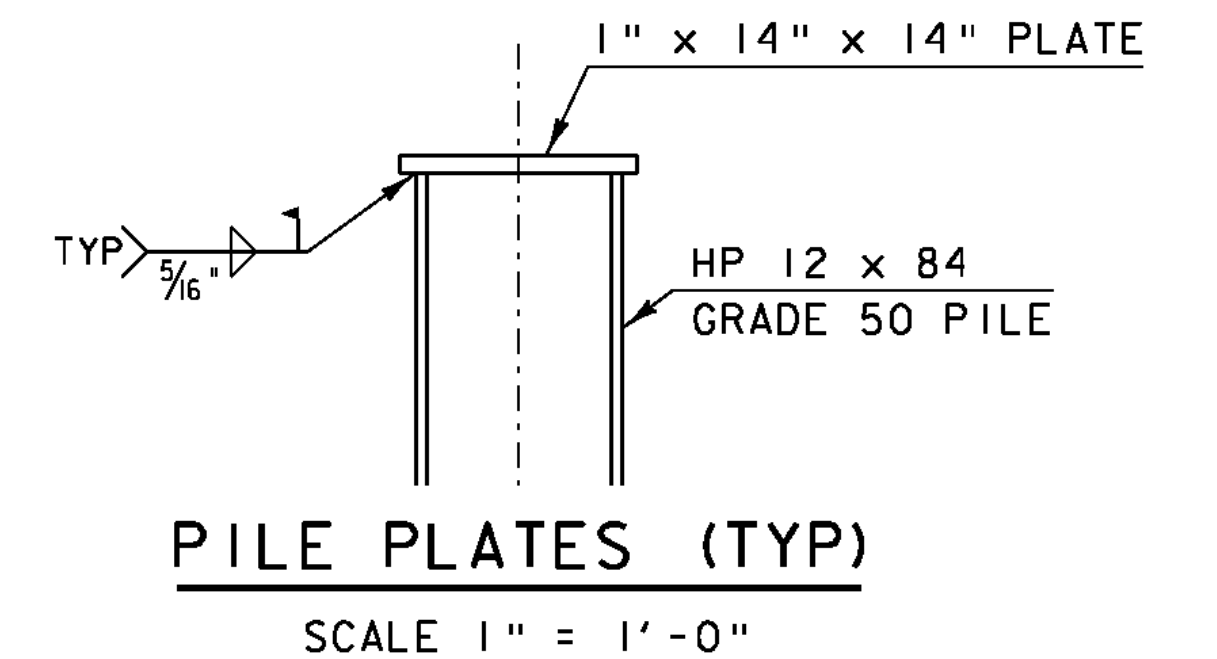
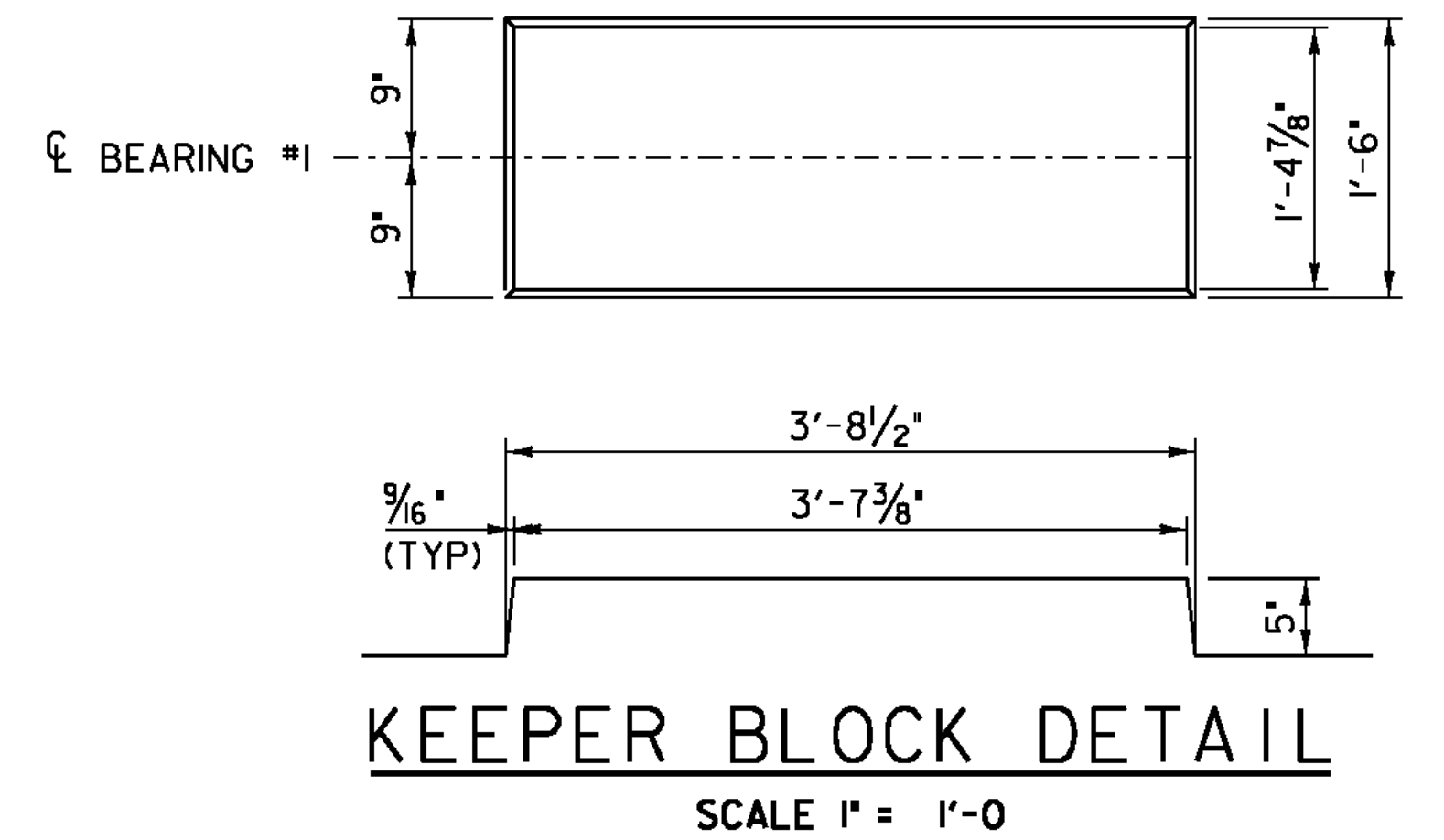
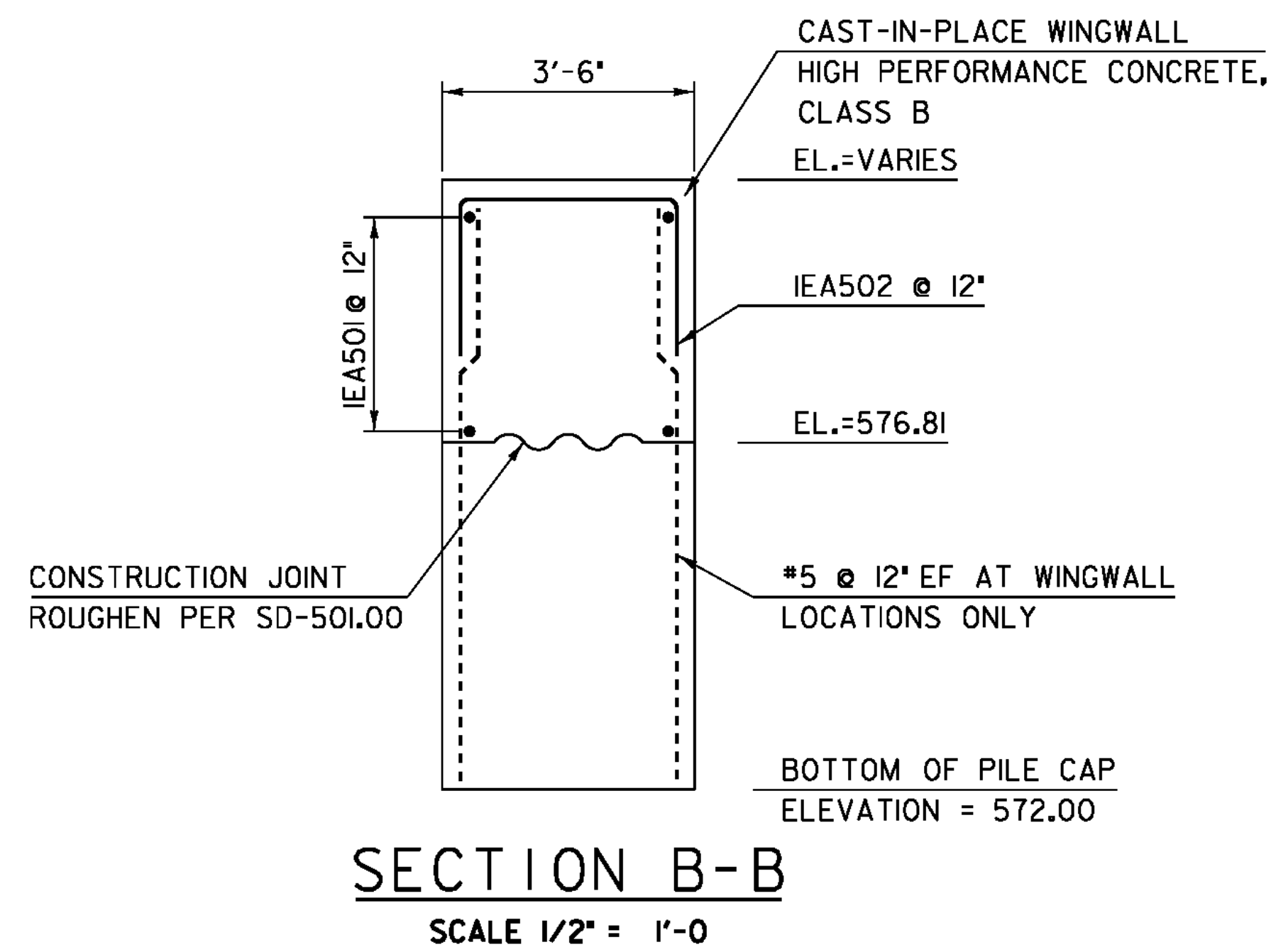
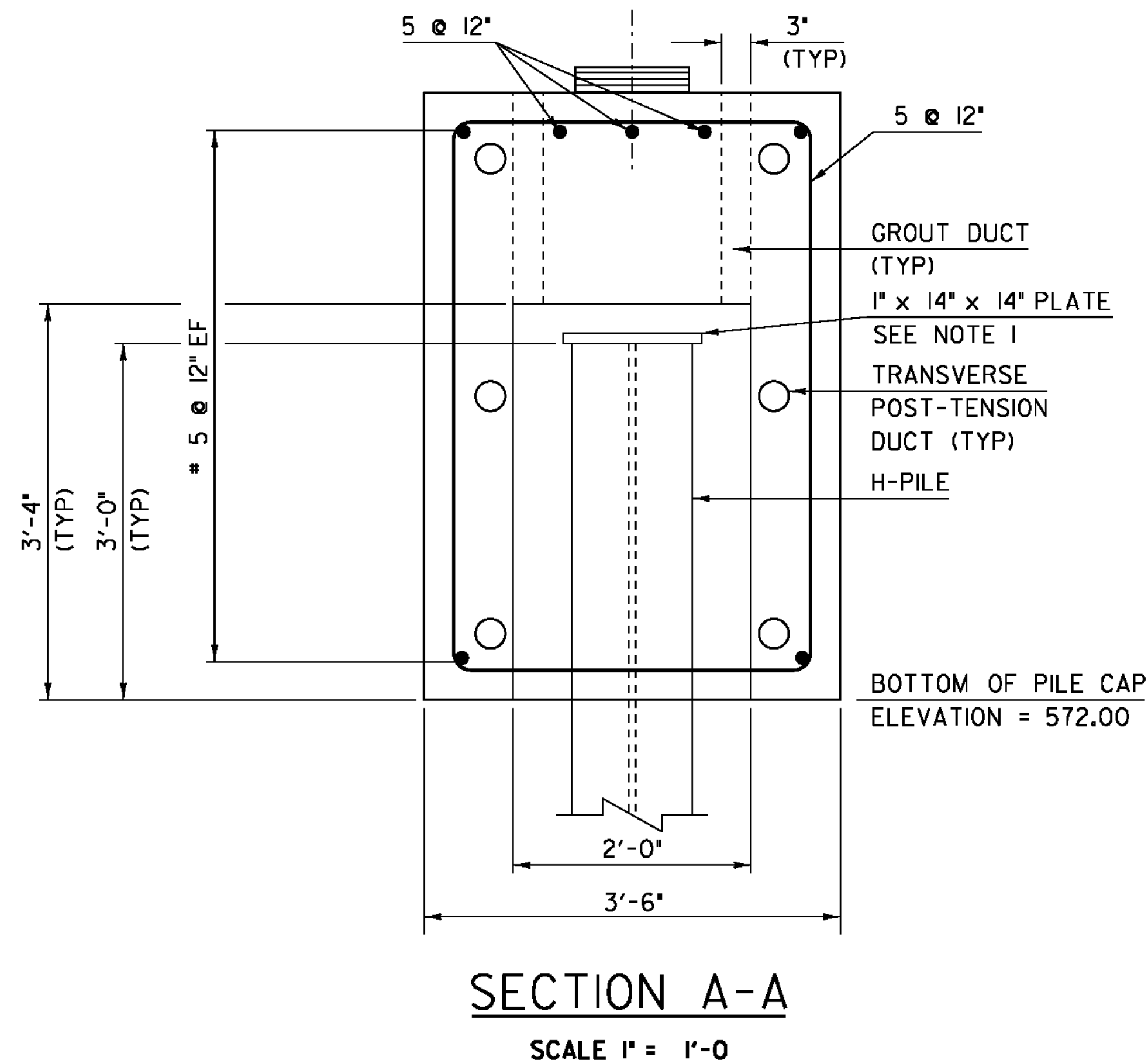


NOTES:

1. UNLESS OTHERWISE NOTED, ABUTMENTS SHALL BE PRECAST CONCRETE ACCORDING TO SECTION 540.
2. ONCE PILES HAVE BEEN CUT TO THEIR FINAL ELEVATIONS, 1" x 14" x 14" STEEL PLATES SHALL BE WELDED TO THE TOP OF THE PILES. PAYMENT FOR THE PLATES SHALL BE INCIDENTAL TO ITEM 505.265 "STEEL PILING FOR INTEGRAL ABUTMENTS, HP 12 X 84"
3. PILE CAVITY GROUT DUCTS (FILL AND VENT) SHALL BE CORRUGATED.
4. SEE GENERAL NOTES FOR ADDITIONAL FABRICATION, CONSTRUCTION, AND SEQUENCE NOTES.
5. REINFORCING FOR THE PRECAST ABUTMENTS SHALL BE EPOXY COATED ACCORDING TO SUBSECTION 713.07



* TRANSVERSE TIES SHALL BE COVERED BY SEAMLESS POLYPROPYLENE SHEATH (WITH CORROSION INHIBITER GREASE BETWEEN SHEATH AND STRAND) FOR THE LENGTH OF STRAND, EXCEPT AT ANCHORAGE LOCATIONS.

SCALE 1/2" = 1'-0"



SCALE 1" = 1'-0"



NOTE:

- NF = NEAR FACE
 - FF = FAR FACE
 - EF = EACH FACE
 - ▲ = CUT TO FIT IN FIELD
- 3" CLEAR, UNLESS OTHERWISE SPECIFIED ON THE PLANS.
2'-2" BAR LAP UNLESS OTHERWISE SPECIFIED ON THE PLANS.

PROJECT NAME: CHESTER
PROJECT NUMBER: BRF 025-1(28)

FILE NAME: 84e061/str/sub.dgn
PROJECT LEADER: C.P.WILLIAMS
DESIGNED BY: R.S.YOUNG
BRIDGE 8 ABUTMENT I SECTIONS

PLOT DATE: 20-SEP-2010
DRAWN BY: M.FESSEL
CHECKED BY: R.S.YOUNG
SHEET 34 OF 124