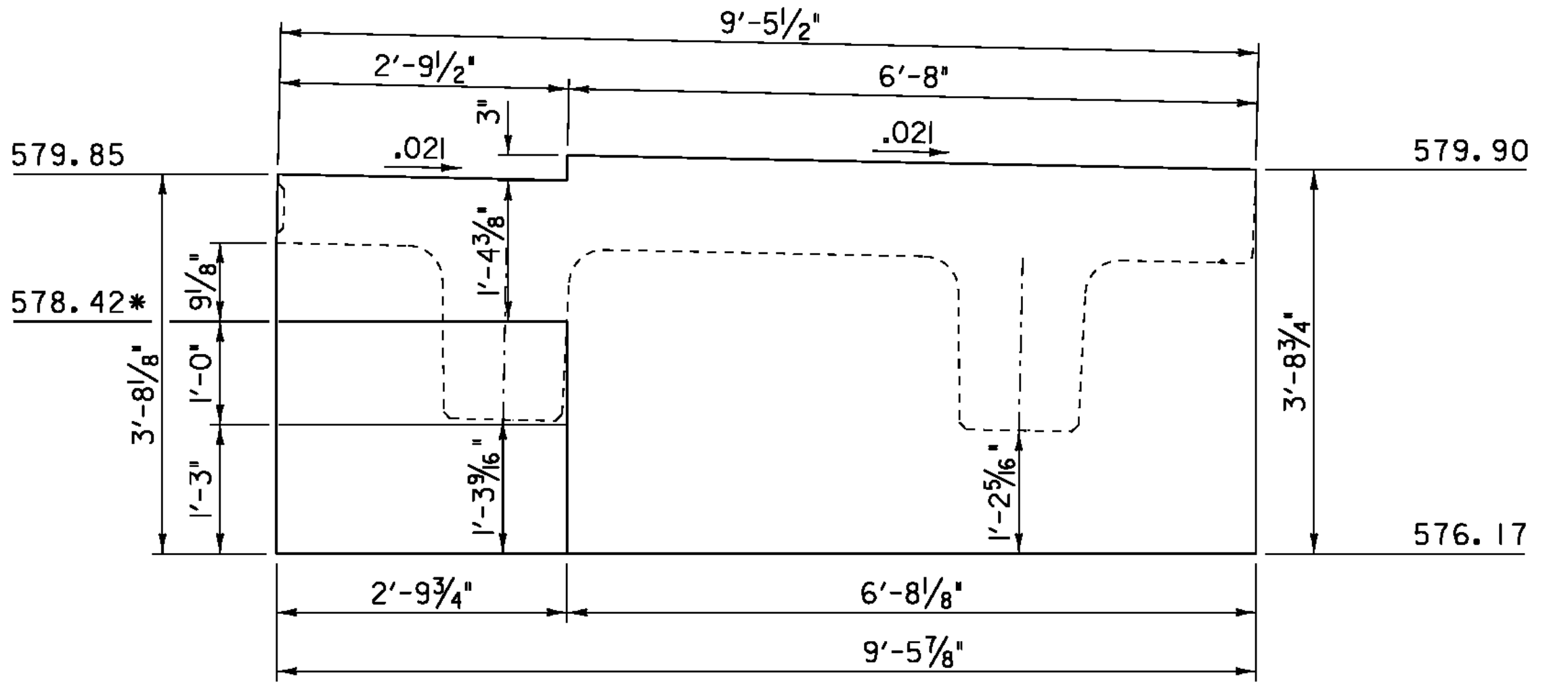
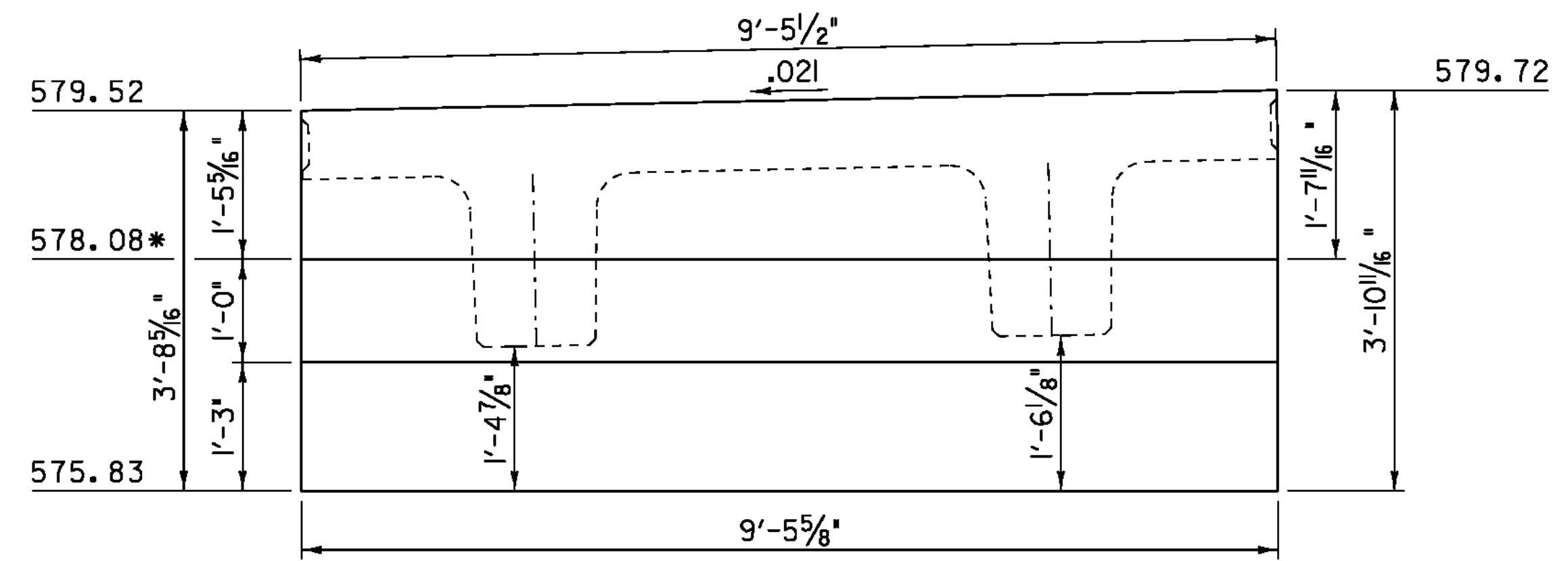


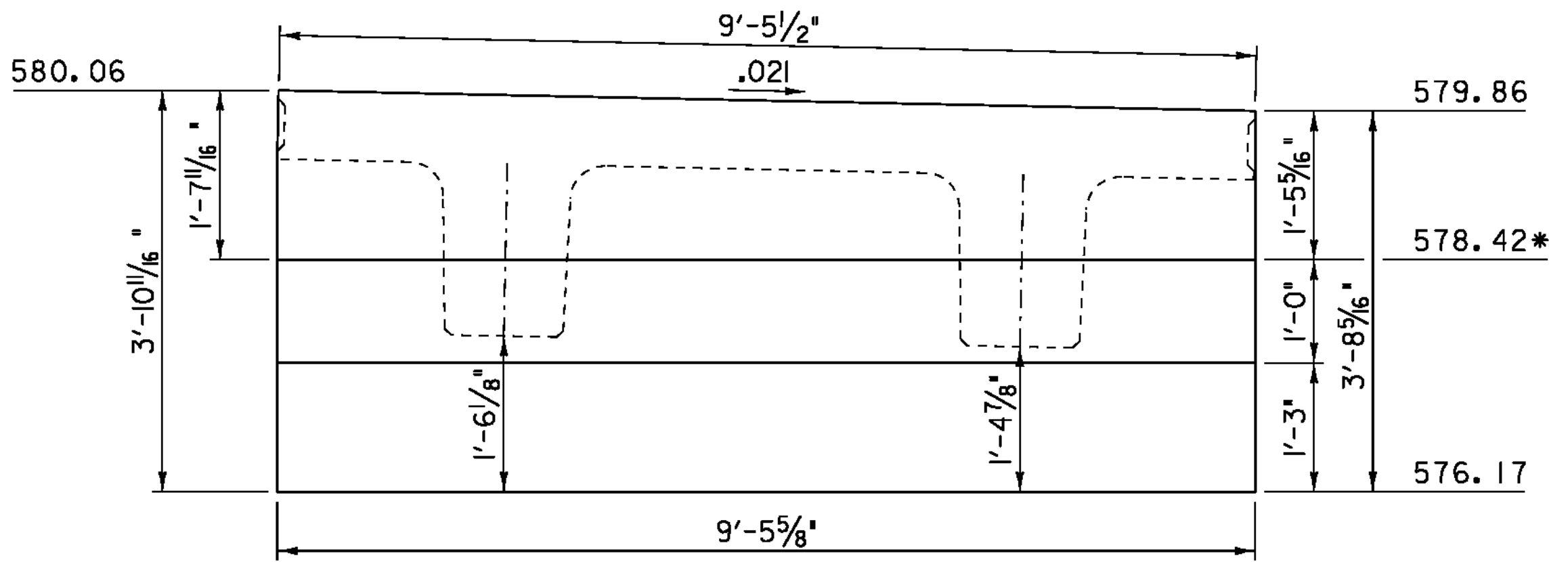
ABUTMENT #1, UNIT 1



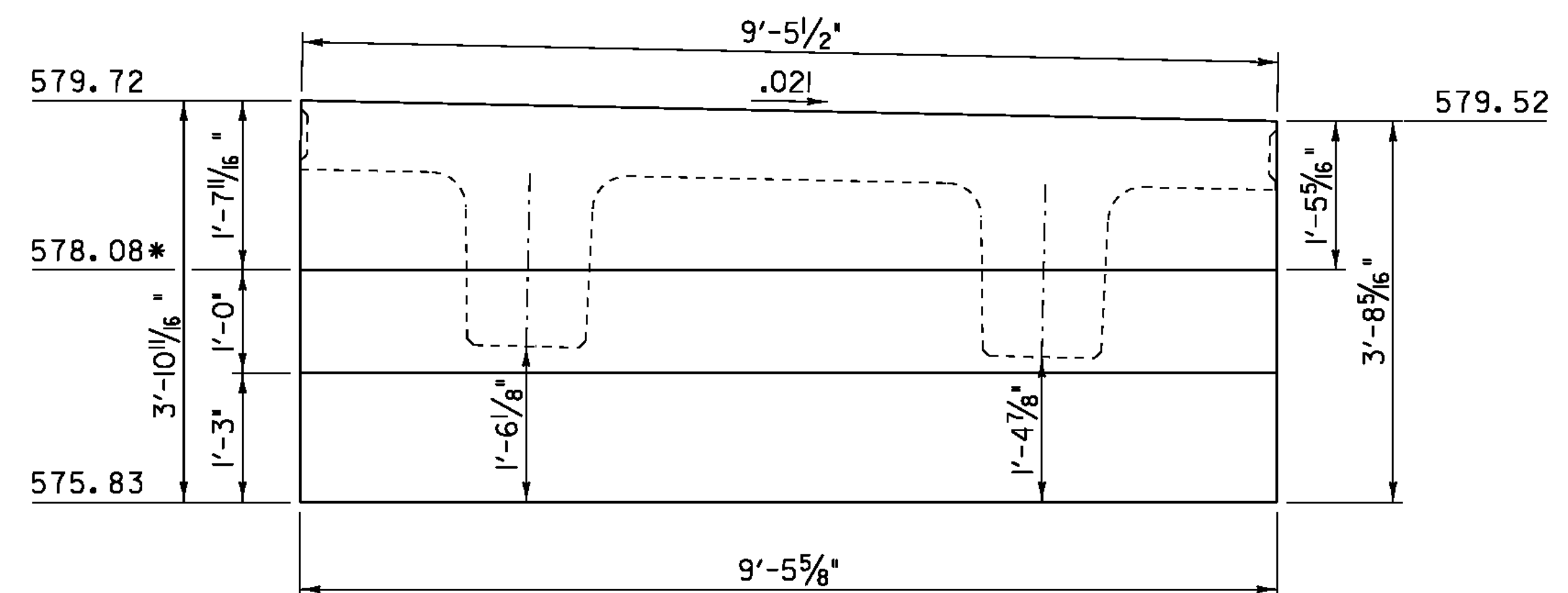
ABUTMENT #2, UNIT 1



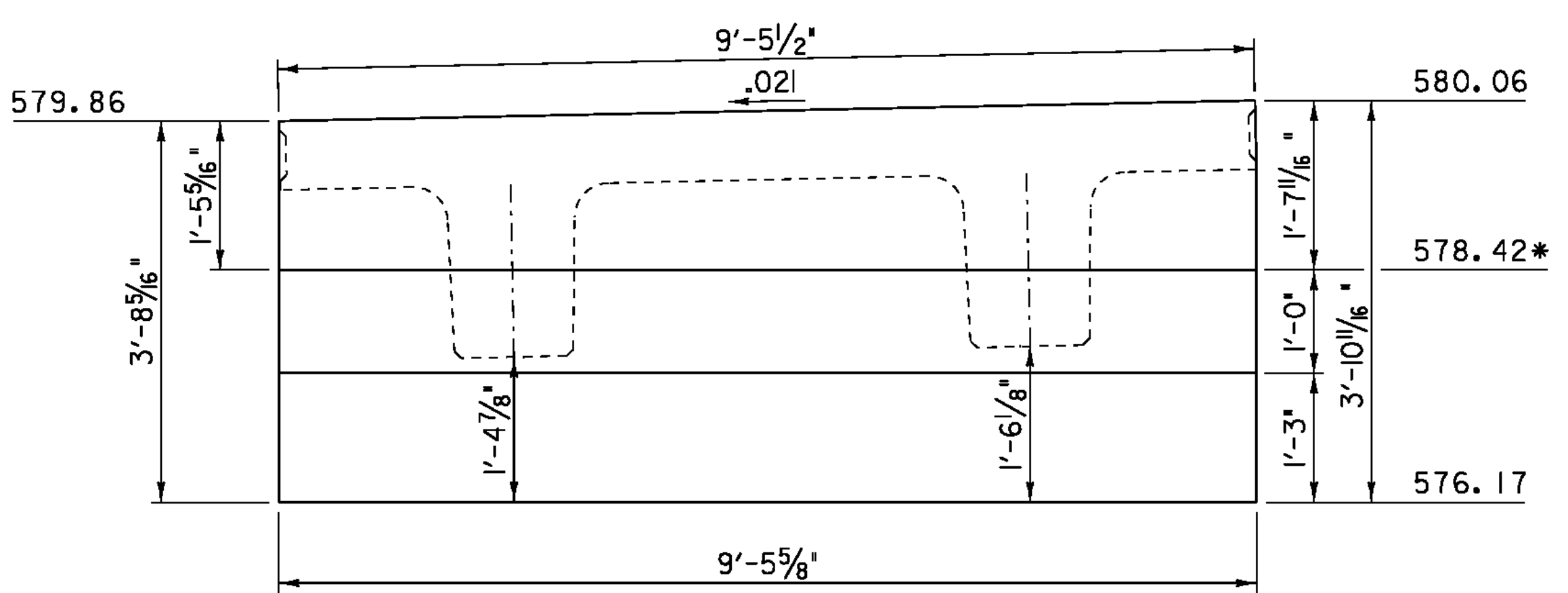
ABUTMENT #1, UNIT 2



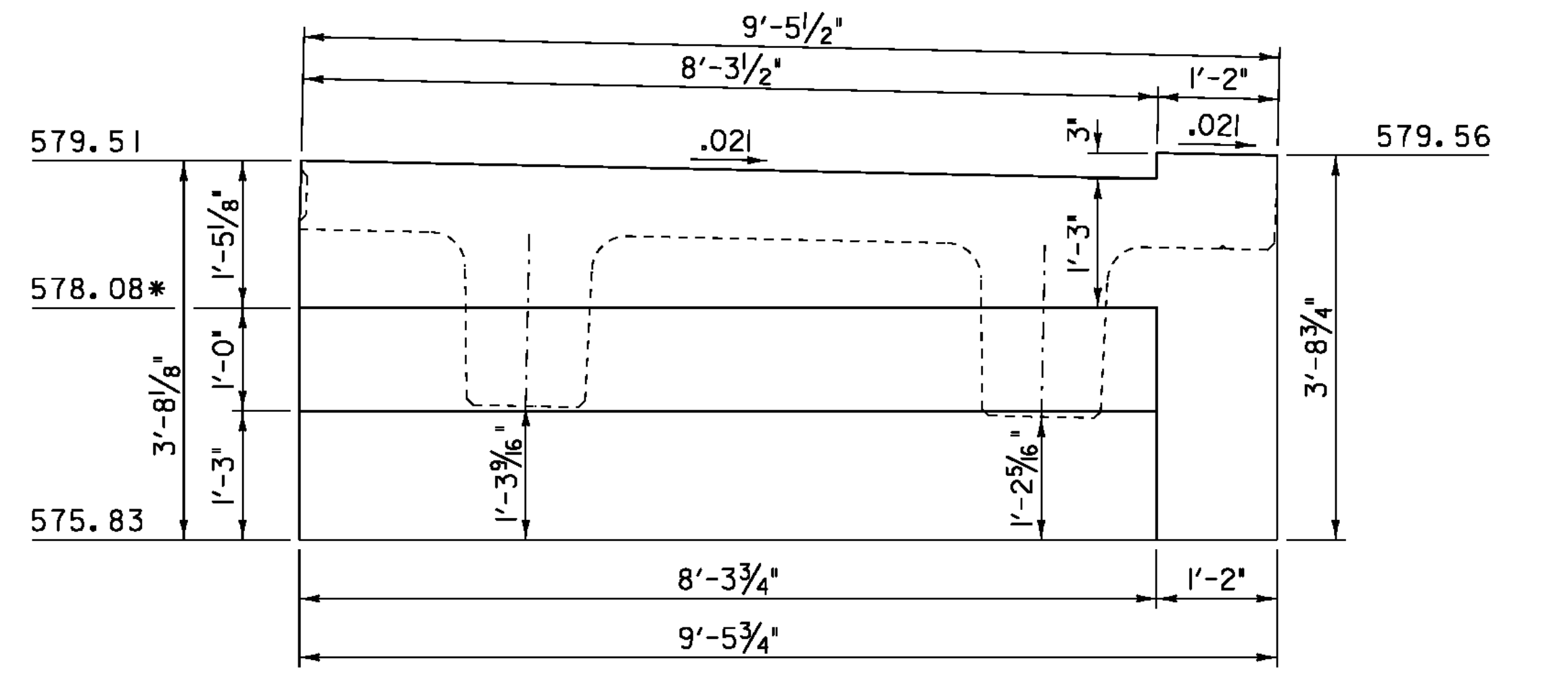
ABUTMENT #2, UNIT 2



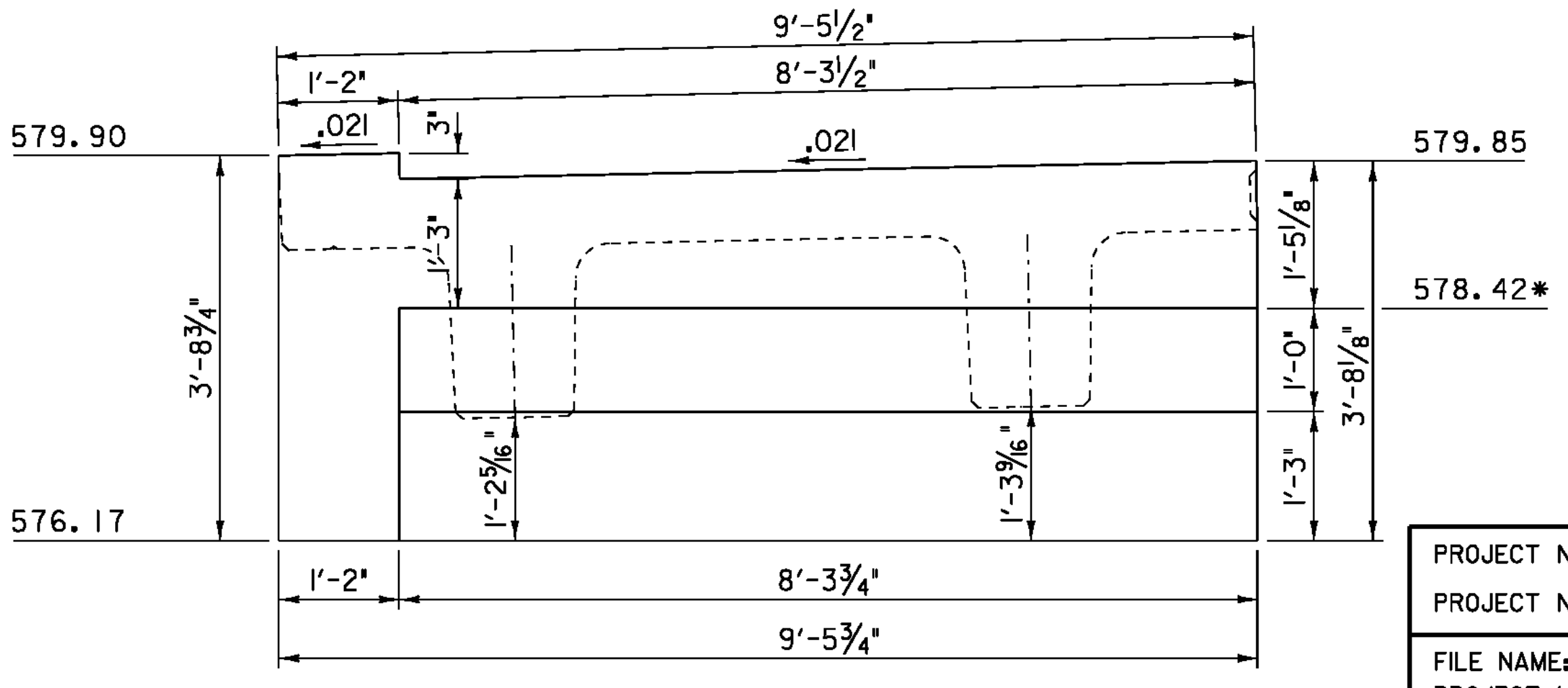
ABUTMENT #1, UNIT 3



ABUTMENT #2, UNIT 3



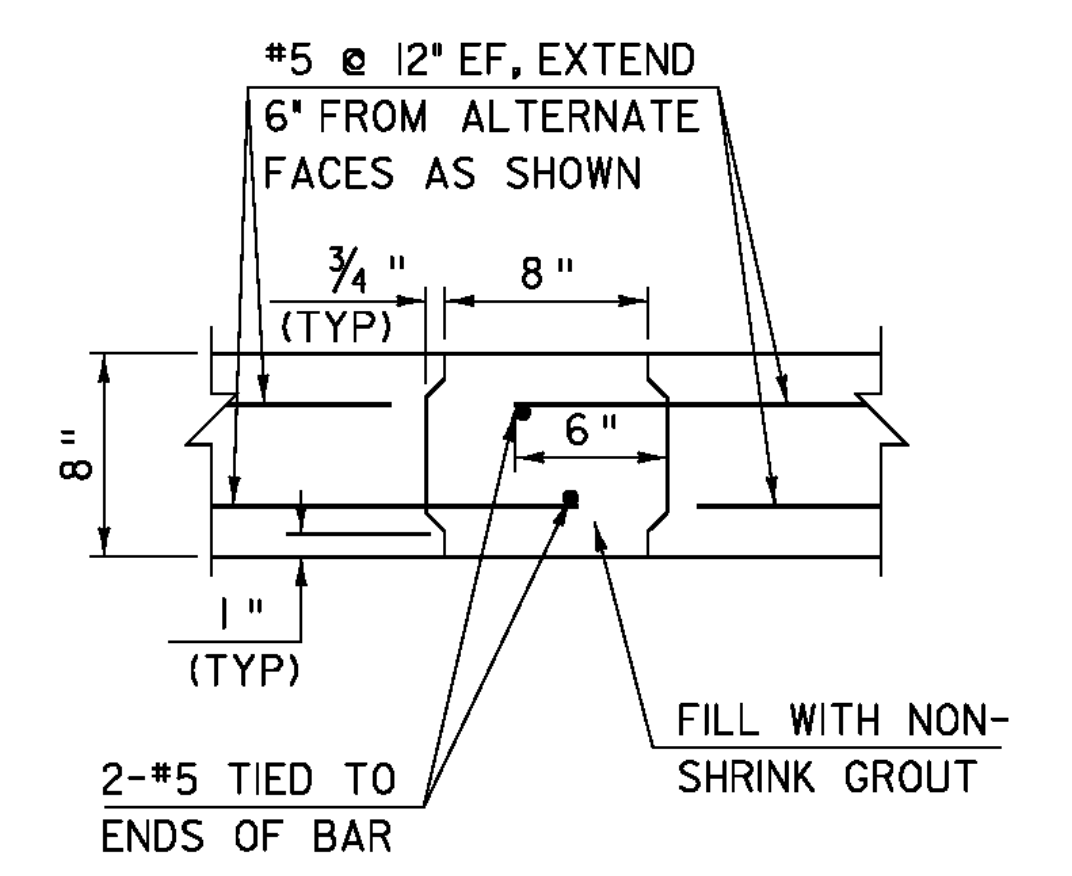
ABUTMENT #1, UNIT 4



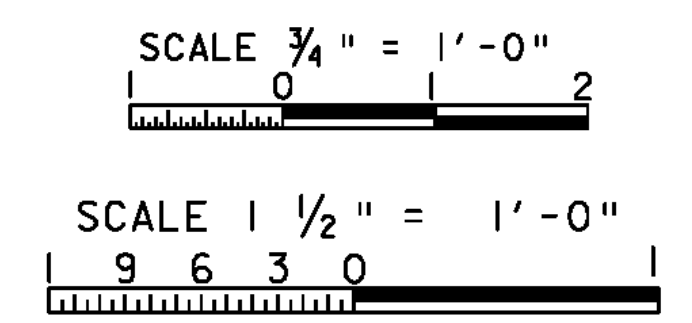
ABUTMENT #2, UNIT 4

* APPROACH SLAB SEAT ELEVATIONS

NOTE:
SEAT ELEVATIONS MAY BE ADJUSTED WHEN THE FINAL APPROACH SLAB DIMENSIONS AND CONNECTION DETAILS HAVE BEEN DETERMINED. SEE NOTE 2 SHEET 37.



CURTAIN WALL CONNECTION DETAILS
SCALE: 1/2" = 1'-0"



PROJECT NAME:	CHESTER	FILE NAME:	84e061/Structures/sub.dgn	PLOT DATE:	21-SEP-2010
PROJECT NUMBER:	BRF 025-1(28)	PROJECT LEADER:	C.P.WILLIAMS	DRAWN BY:	D.D.BEARD
		DESIGNED BY:	H.I. SALLS	CHECKED BY:	R.S.YOUNG
		BRIDGE 8 CURTAIN WALL DETAILS		SHEET	31 OF 124