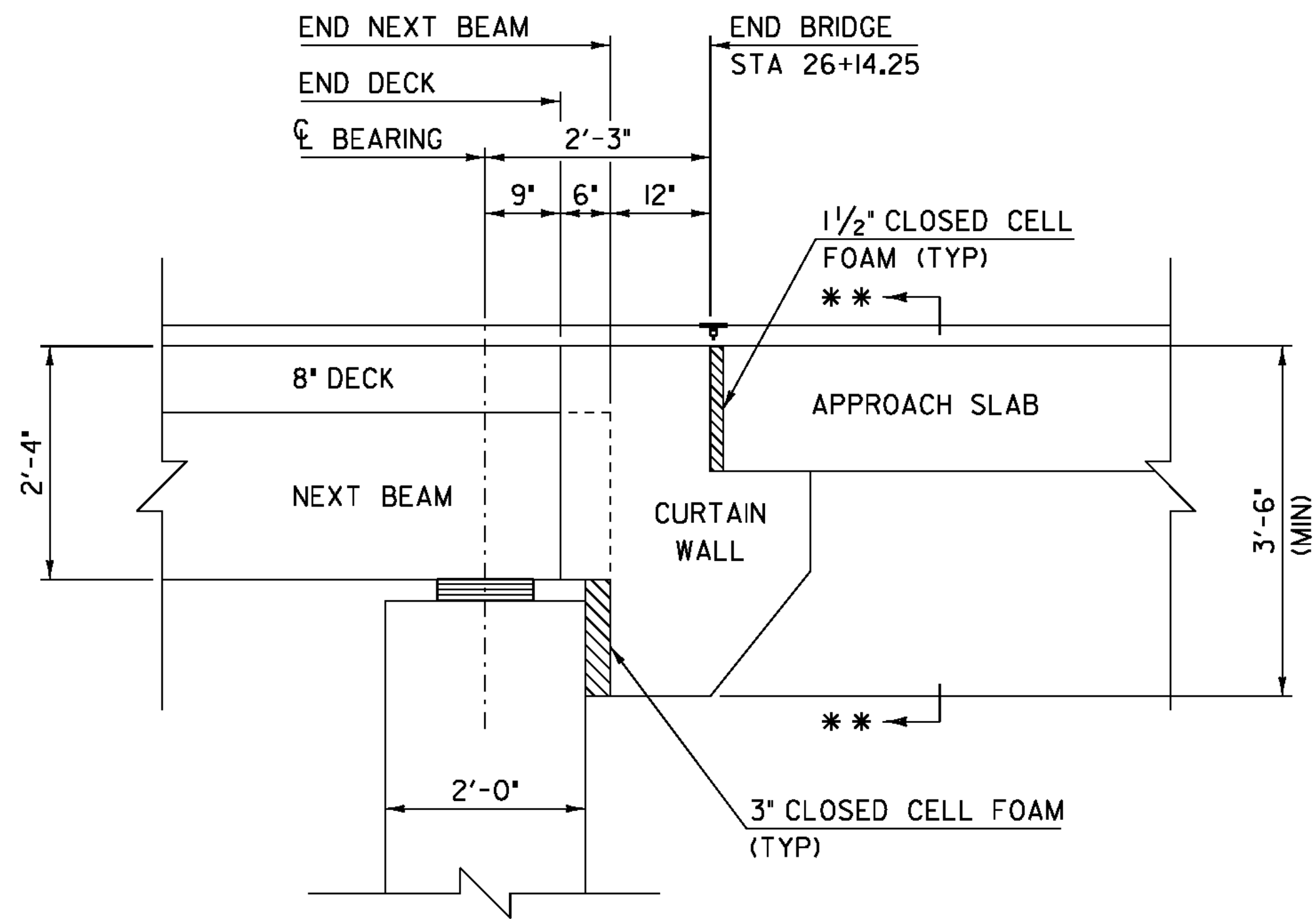


BRIDGE END DETAIL ABUTMENT 1

SCALE: 3/4" = 1'-0"

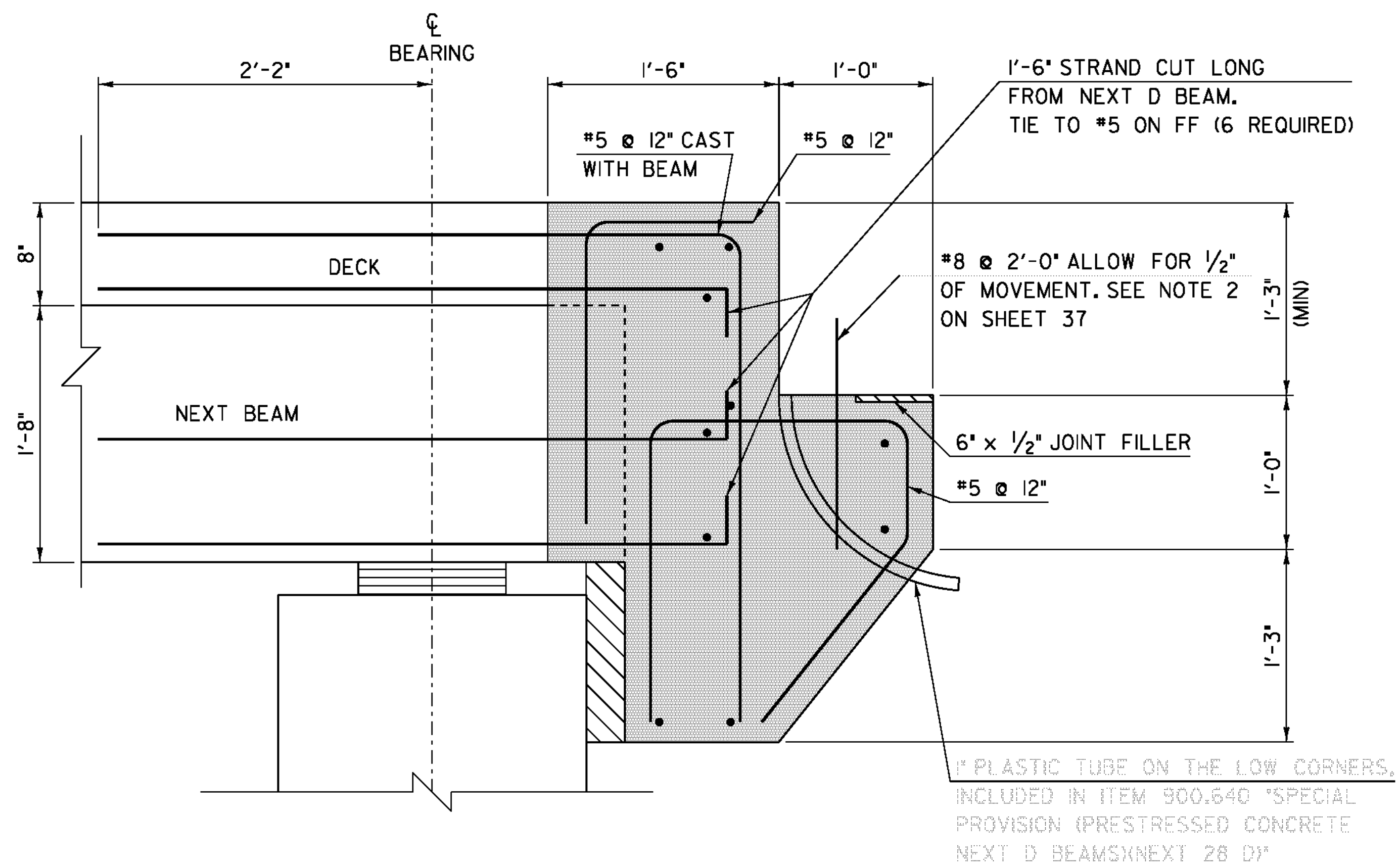
** SEE SHEET 31 FOR CURTAIN WALL END VIEWS



BRIDGE END DETAIL ABUTMENT 2

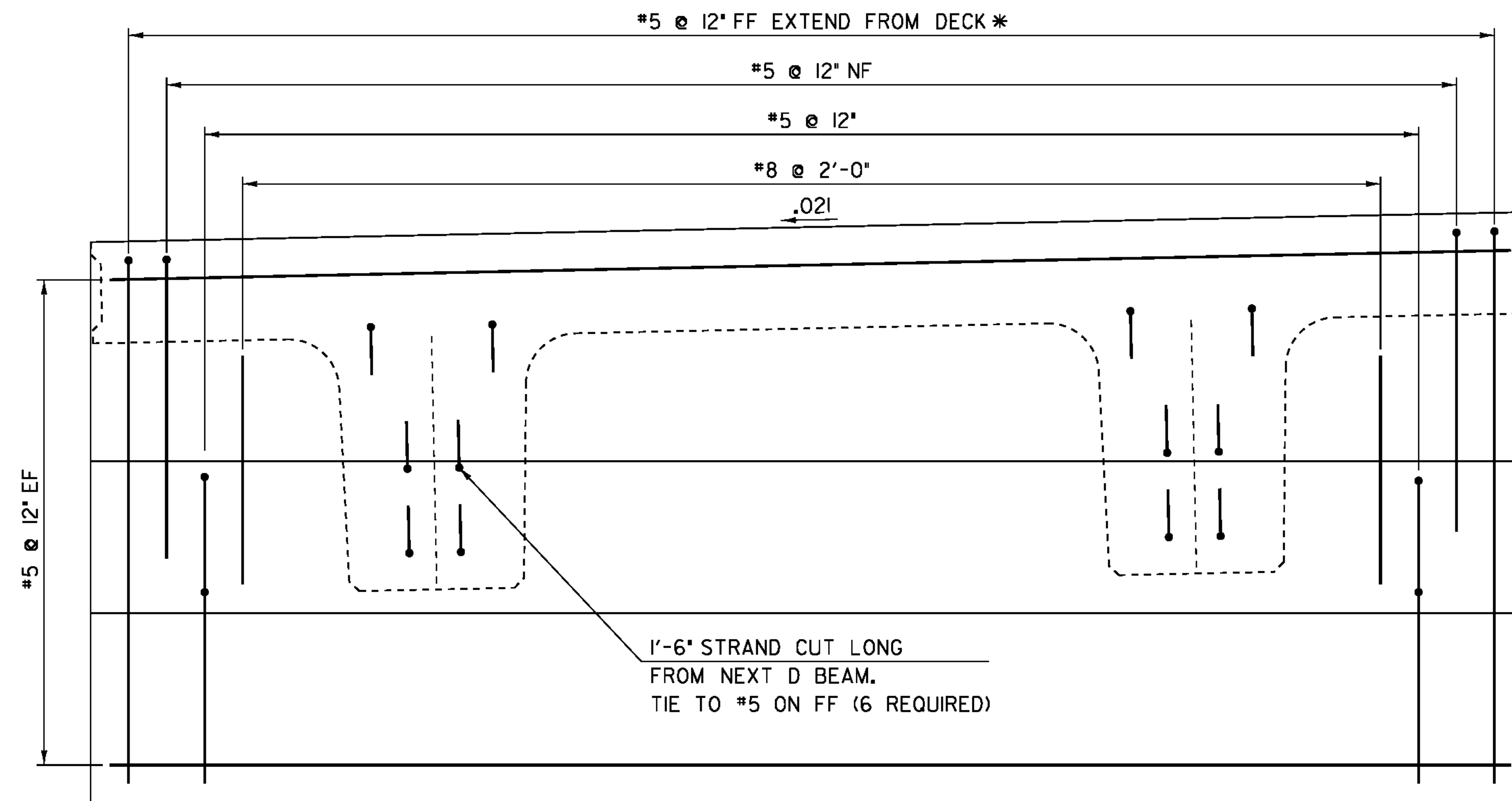
SCALE: 3/4" = 1'-0"

* 12 ADDITIONAL BARS SHALL BE USED AT THE JOINT LOCATIONS. PAYMENT SHALL BE INCIDENTAL TO ITEM 900.640 SPECIAL PROVISION (PRESTRESSED CONCRETE, NEXT D BEAMS)(NEXT 28 D)



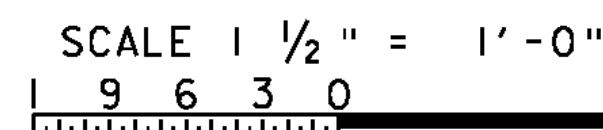
PRECAST CONCRETE CURTAIN WALL REINFORCING TYPICAL

SCALE: 1 1/2" = 1'-0"



PRECAST CONCRETE CURTAIN WALL REINFORCING ELEV.

SCALE: 1/2" = 1'-0"



PROJECT NAME: CHESTER
PROJECT NUMBER: BRF 025-1(28)

FILE NAME: 84e061/Str/sub.dgn
PROJECT LEADER: C.P.WILLIAMS
DESIGNED BY: R.S.YOUNG
BRIDGE 8 BRIDGE END DETAILS

PLOT DATE: 20-SEP-2010
DRAWN BY: M.FESSEL
CHECKED BY: R.S.YOUNG
SHEET 30 OF 124