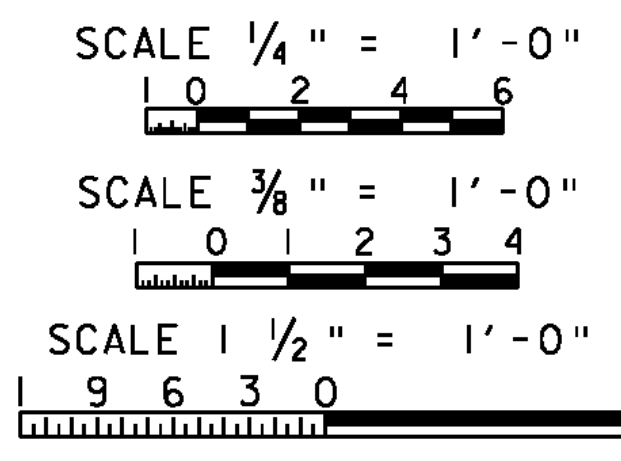
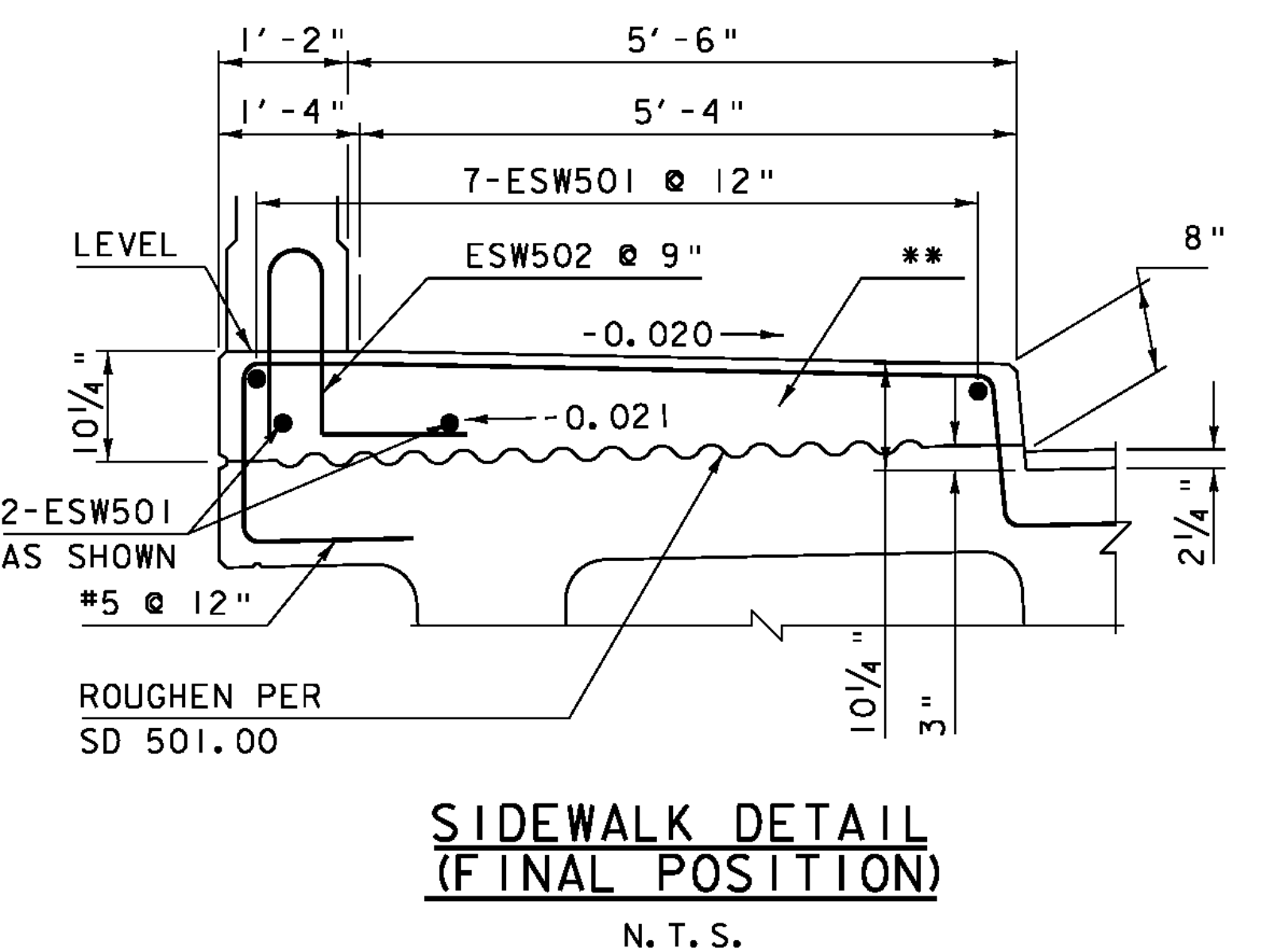
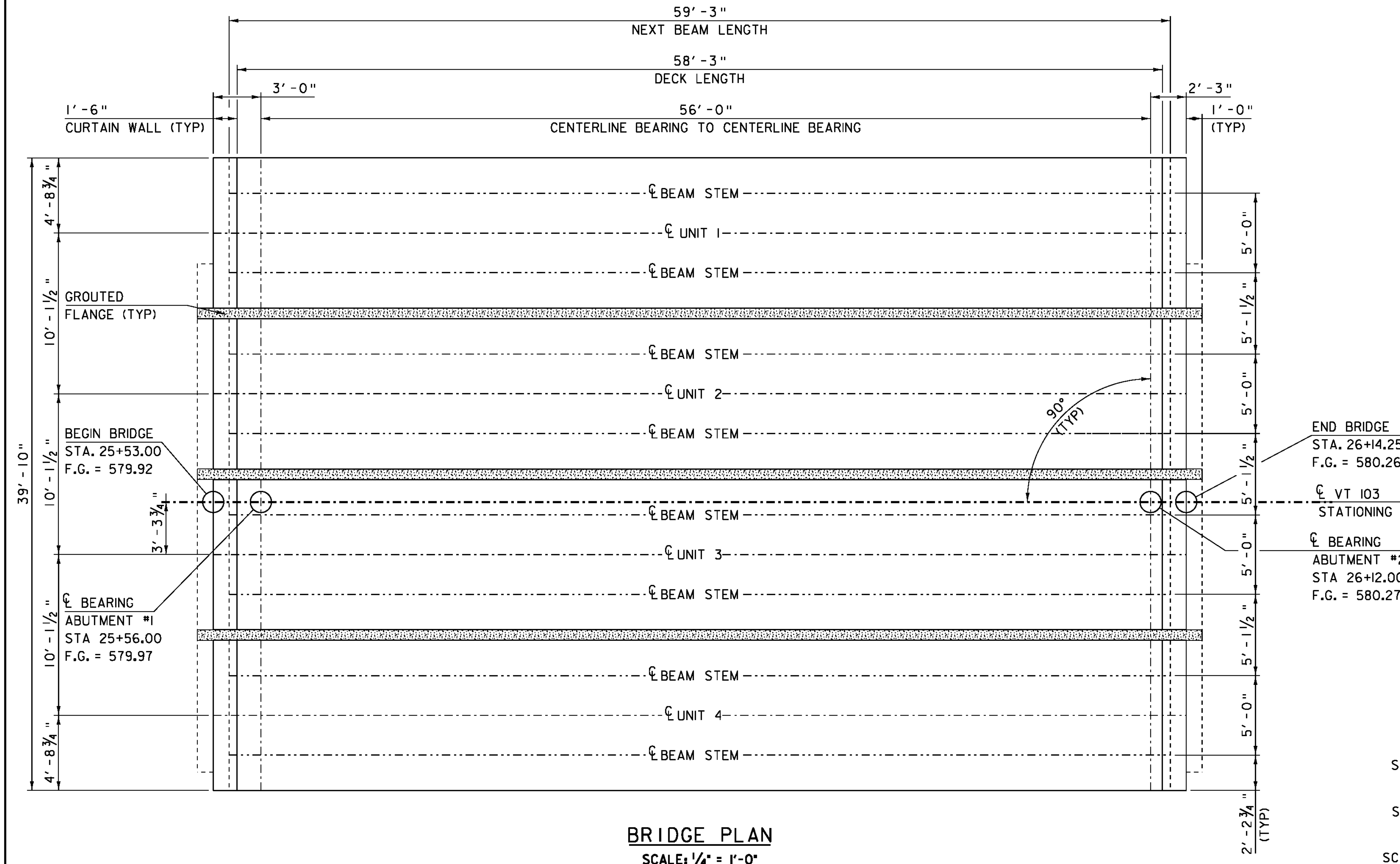


FLANGE CONNECTION DETAILS
SCALE $1/2'' = 1'-0''$

*TWO #5 BARS SHALL BE PLACED AS SHOWN ALONG ENTIRE LENGTH OF JOINT. PAYMENT SHALL BE INCIDENTAL TO SPECIAL PROVISION (PRESTRESSED CONCRETE, NEXT D BEAMS) (NEXT 28 D).

**SPECIAL PROVISION (HIGH PERFORMANCE CONCRETE, CLASS A LOW CEMENT)



PROJECT NAME: CHESTER	PLOT DATE: 20-SEP-2010
PROJECT NUMBER: BRF 025-1(28)	DRAWN BY: M.FESSEL
FILE NAME: 84e061/Str/84e061sup.dgn	CHECKED BY: R.S.YOUNG
PROJECT LEADER: C.P.WILLIAMS	BRIDGE 8 FRAMING PLAN
DESIGNED BY: R.S.YOUNG	SHEET 28 OF 124