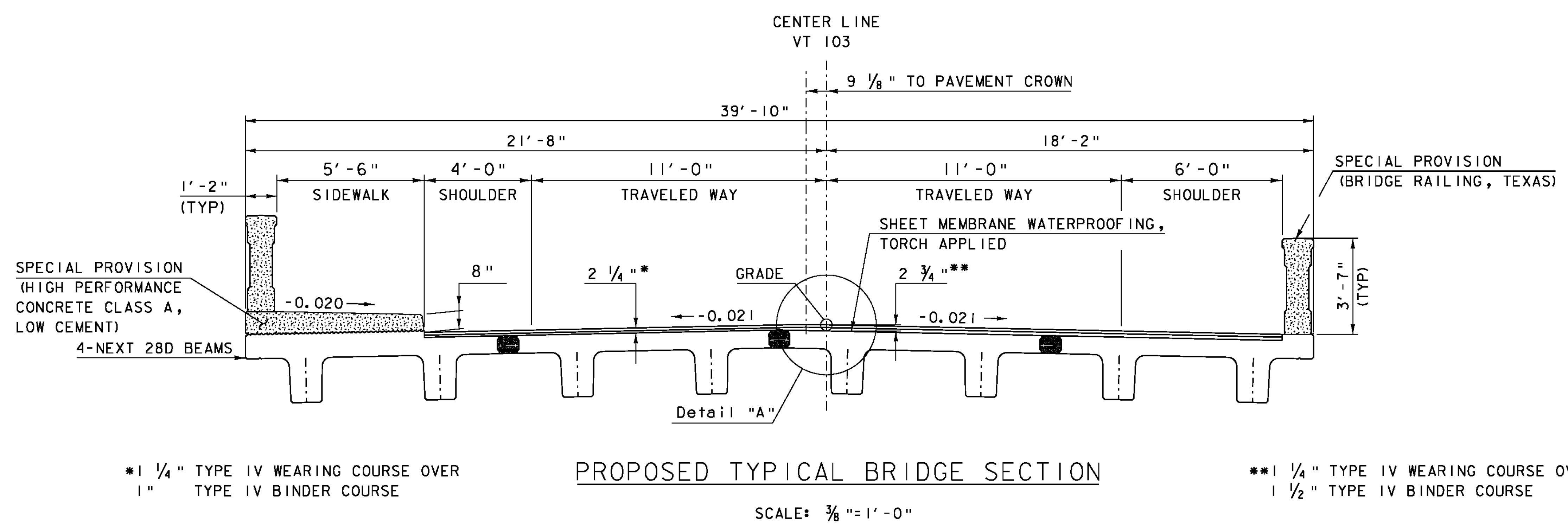


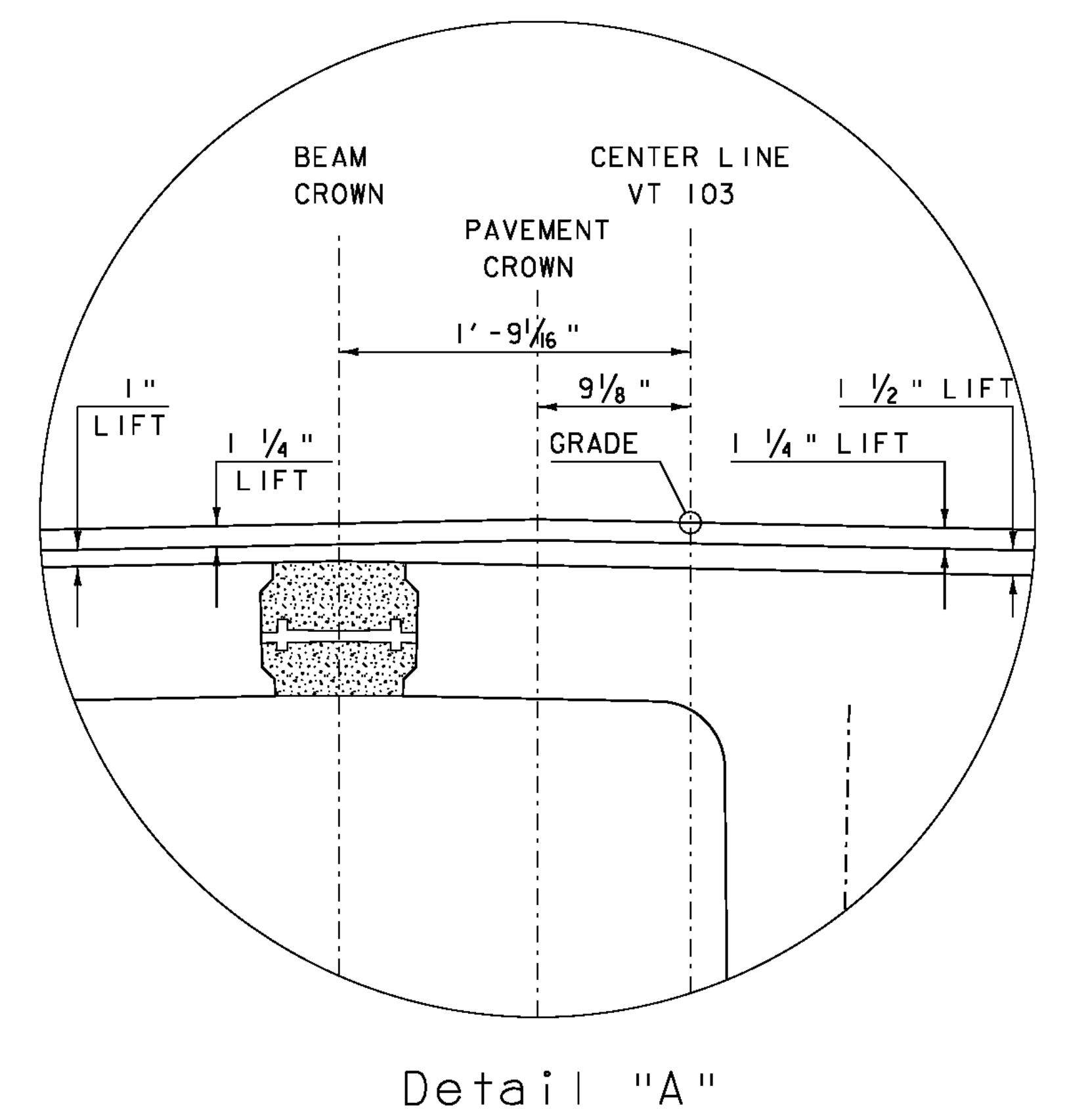
\*1 1/4" TYPE IV WEARING COURSE OVER  
 1 1/4" TYPE IV BINDER COURSE OVER  
 2 1/2" TYPE II BASE COURSE OVER  
 2 1/2" TYPE II BASE COURSE

NOTE:  
 PAVEMENT SHALL BE A MARSHALL MIX PAID  
 FOR UNDER THE ITEM 406.25, "BITUMINOUS CONCRETE PAVEMENT".



\*1 1/4" TYPE IV WEARING COURSE OVER  
 1" TYPE IV BINDER COURSE

\*\*1 1/4" TYPE IV WEARING COURSE OVER  
 1 1/2" TYPE IV BINDER COURSE



**MATERIAL TOLERANCES**  
 (IF USED ON PROJECT)

SURFACE	
- PAVEMENT (TOTAL THICKNESS)	+/- 1/4"
- AGGREGATE SURFACE COURSE	+/- 1/2"
SUBBASE	+/- 1"
SAND BORROW	+/- 1"

SCALE 3/8" = 1'-0"  
 1 0 1 2 3 4

PROJECT NAME: CHESTER  
 PROJECT NUMBER: BRF 025-1(28)  
 FILE NAME: 84e061/Str/typ.dgn PLOT DATE: 20-SEP-2010  
 PROJECT LEADER: C.P.WILLIAMS DRAWN BY: M.FESSEL  
 DESIGNED BY: R.S.YOUNG CHECKED BY: R.S.YOUNG  
 BRIDGE 8 TYPICAL SECTIONS SHEET 15 OF 124