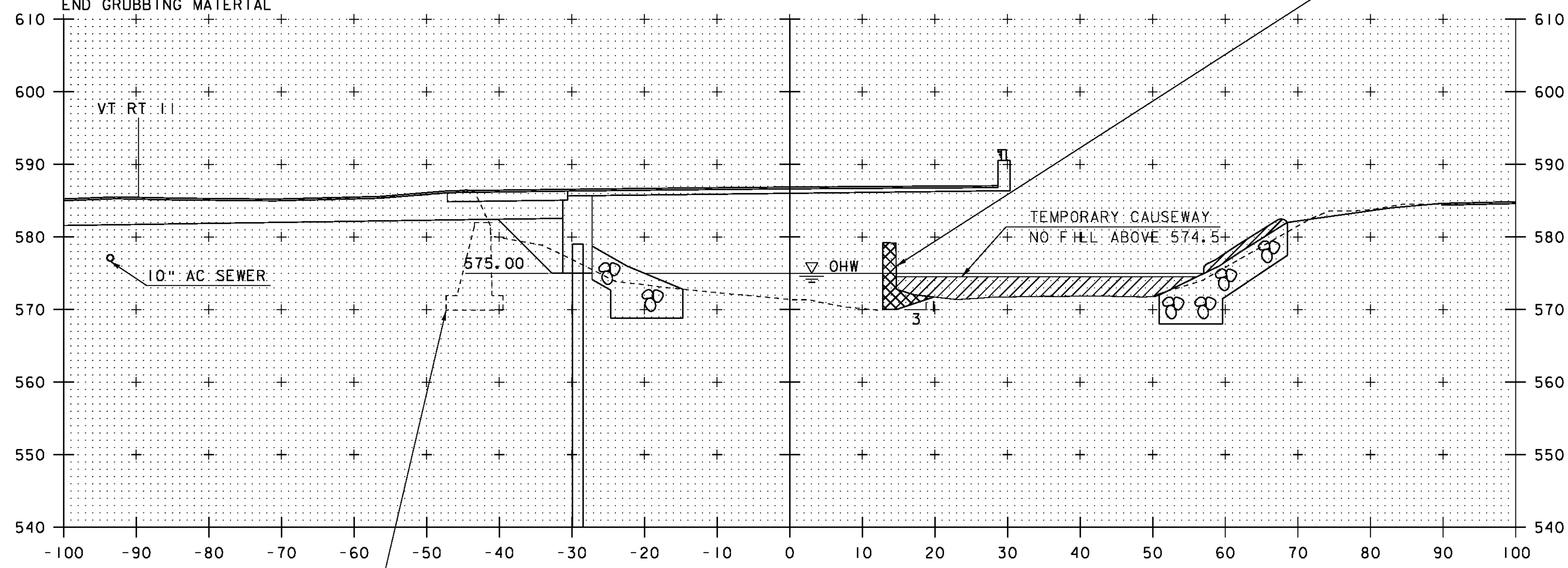


STA: 62+42.70 LT
 END UNCLASSIFIED CHANNEL EXCAVATION
 END GEOTEXTILE UNDER STONE FILL
 END STONE FILL, TYPE IV
 END GRUBBING MATERIAL

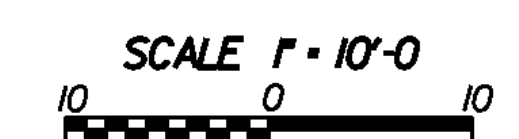
62+25

REMOVE EXISTING PIER & STREAMBED
 MATERIAL INSIDE CROSS-HATCHED
 AREA. USE ITEM 529.15 "REMOVAL
 OF STRUCTURE" FOR PIER REMOVAL,
 AND ITEM 203.27 "UNCLASSIFIED
 CHANNEL EXCAVATION" FOR REMOVAL
 OF STREAMBED MATERIAL.



EXISTING ABUTMENT, REMOVE TO
 ELEVATION 582.00'. USE ITEM 529.15
 "REMOVAL OF STRUCTURE".

62+00



STA. 62+00 TO STA. 62+25

PROJECT NAME: CHESTER	PLOT DATE: 20-SEP-2010
PROJECT NUMBER: BRF 025-(K37) SC	DRAWN BY: D.D.BEARD
FILE NAME: s95b168xs3.dgn	CHECKED BY: R.S.YOUNG
PROJECT LEADER: C.P.WILLIAMS	SHEET 122 OF 124
DESIGNED BY: R.S.YOUNG	
BRIDGE 9 CHANNEL CROSS SECTIONS	