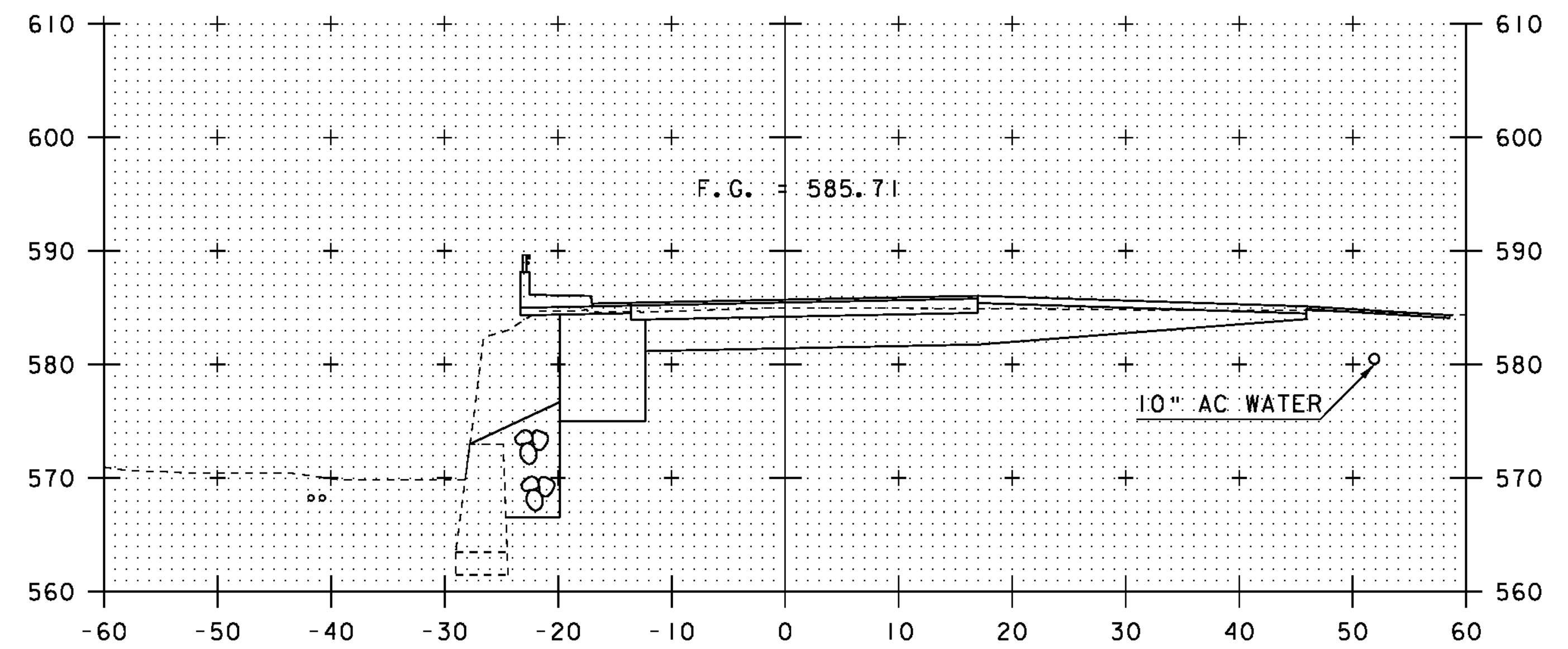


CL BEARING ABUTMENT #1
STATION 12+70.00

13+00

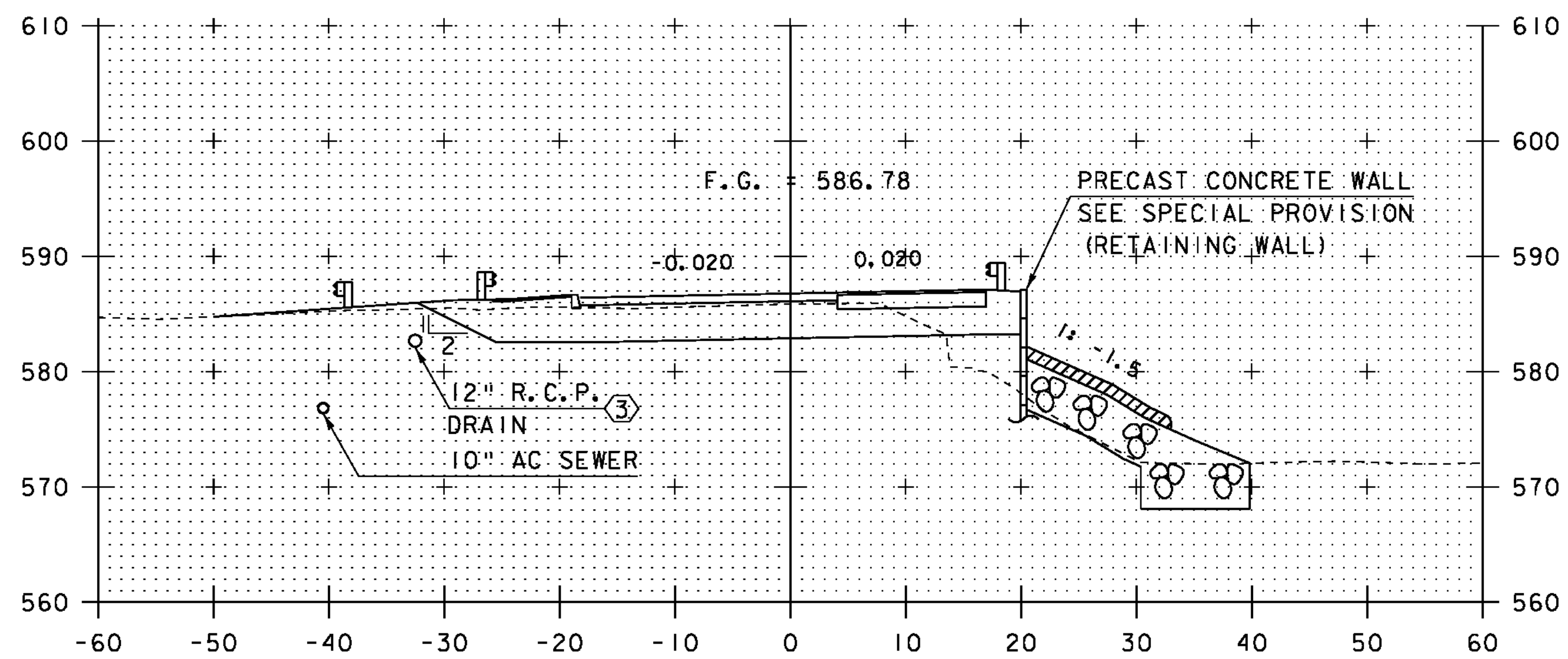
BEGIN BRIDGE
STATION 12+68.59



CL BEARING ABUTMENT #2
STATION 13+90.00

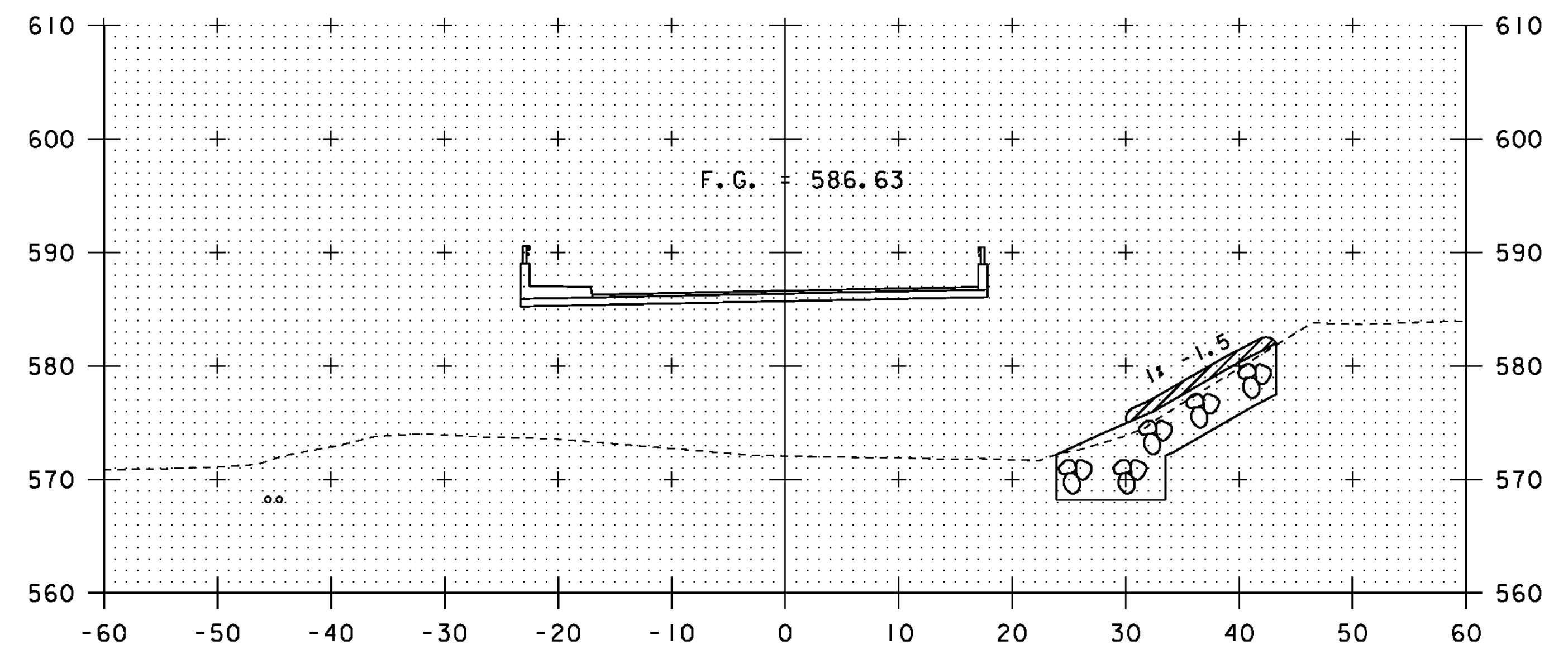
14+00

END BRIDGE
STATION 13+91.56



12+50

INLET ELEV = 581.66
OUTLET ELEV = 576.25 EST



13+50



STA. 12+50 TO STA. 14+00

PROJECT NAME: CHESTER

PROJECT NUMBER: BRF 025-(K37) SC

FILE NAME: s95b168xsl.dgn

PROJECT LEADER: C.P.WILLIAMS

DESIGNED BY: R.S.YOUNG

BRIDGE 9 MAINLINE CROSS SECTIONS

PLOT DATE: 20-SEP-2010

DRAWN BY: D.D.BEARD

CHECKED BY: R.S.YOUNG

SHEET 116 OF 124