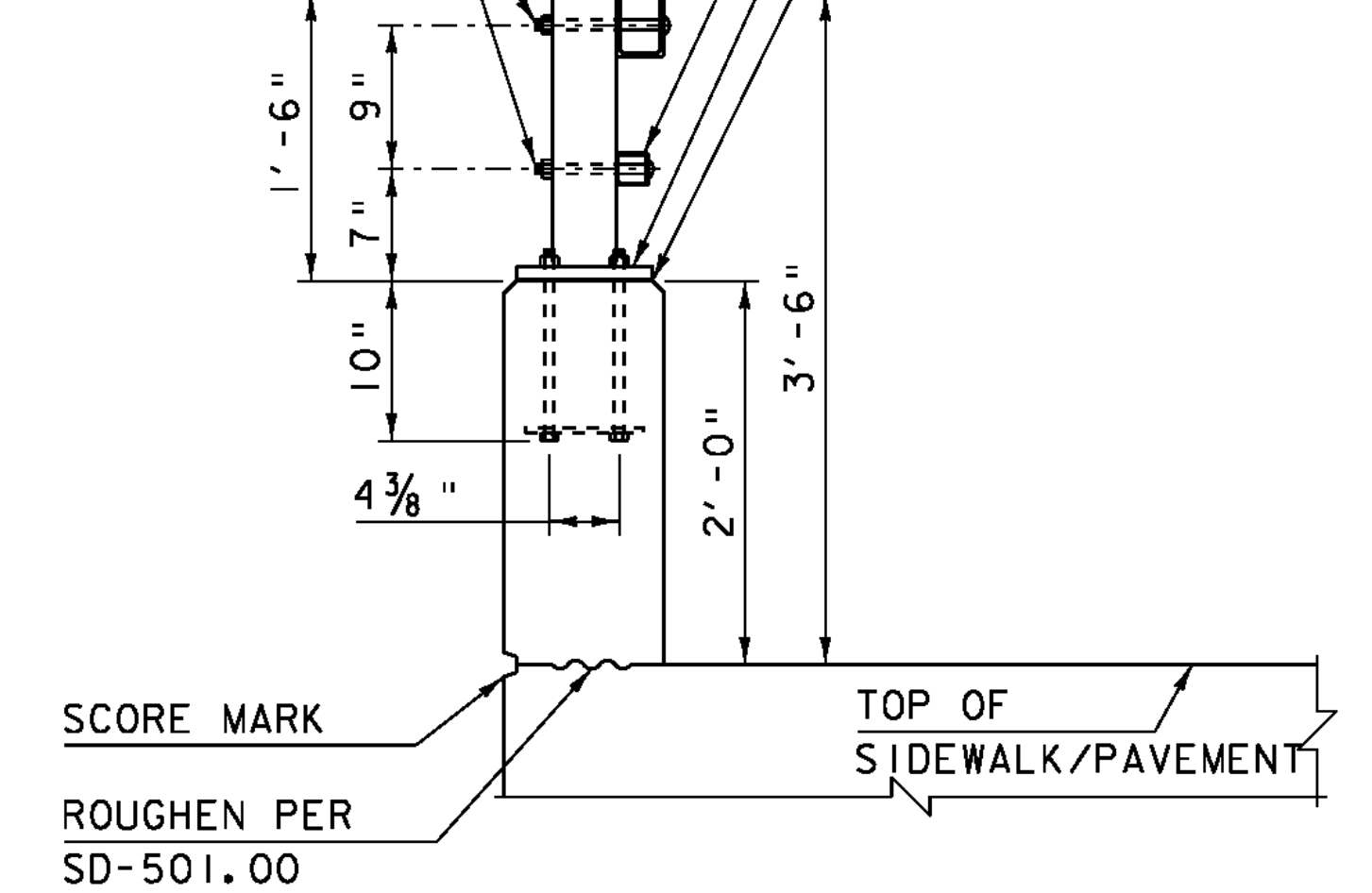


RAILING & END WALL APPROACH

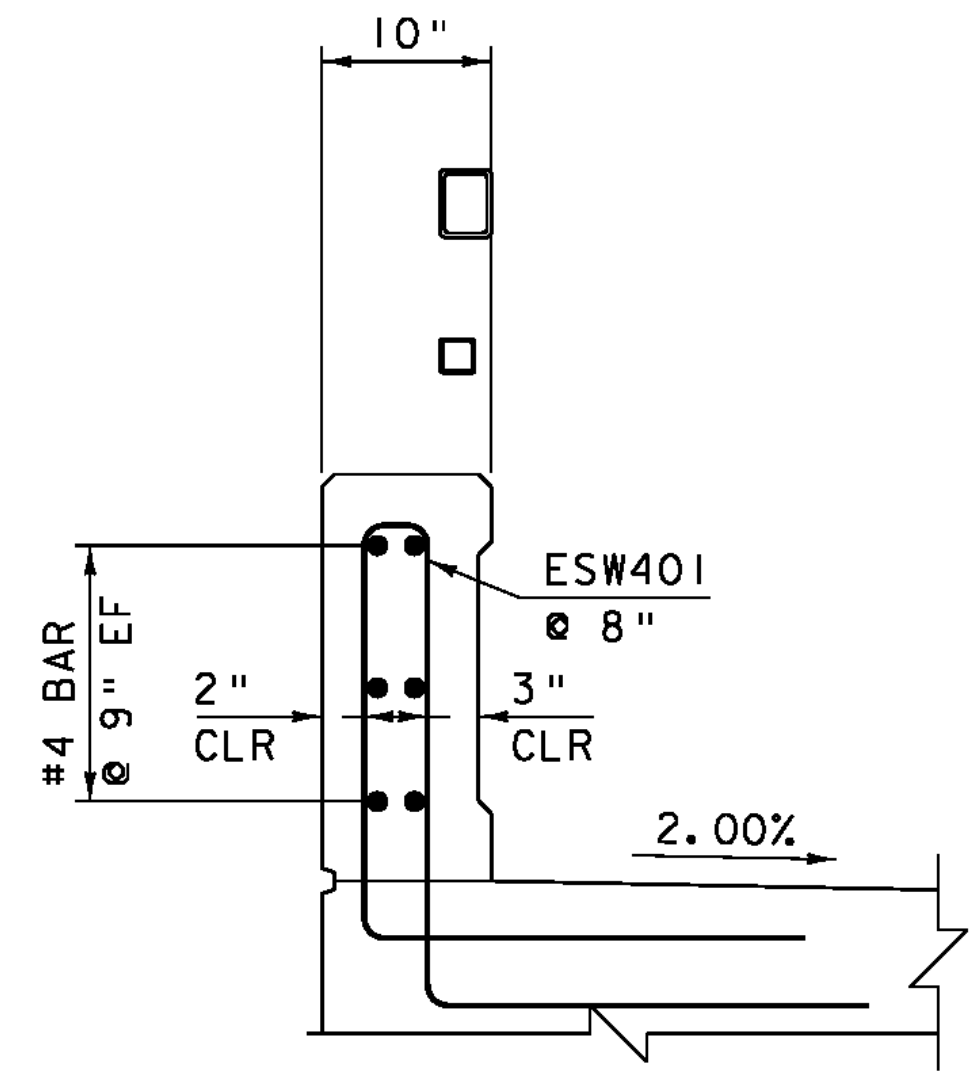
SCALE 1" = 1'-0"

- 3 5/8" x 3 5/8" x 5/16" PLATE
- HSS 4" x 4" x 5/16"
- 5/8" Ø SLOTTED ROUND HEAD BOLTS WITH HEX NUTS, 1 FLAT WASHER, AND 1 LOCK WASHER. (TYP)
- HSS 4 x 3 x 1/4 STEEL TUBING
- HSS 2 x 2 x 1/8 STEEL TUBING
- 8 1/2" x 10" x 3/4" BASE PLATE
- 1/8" ELASTOMERIC PAD



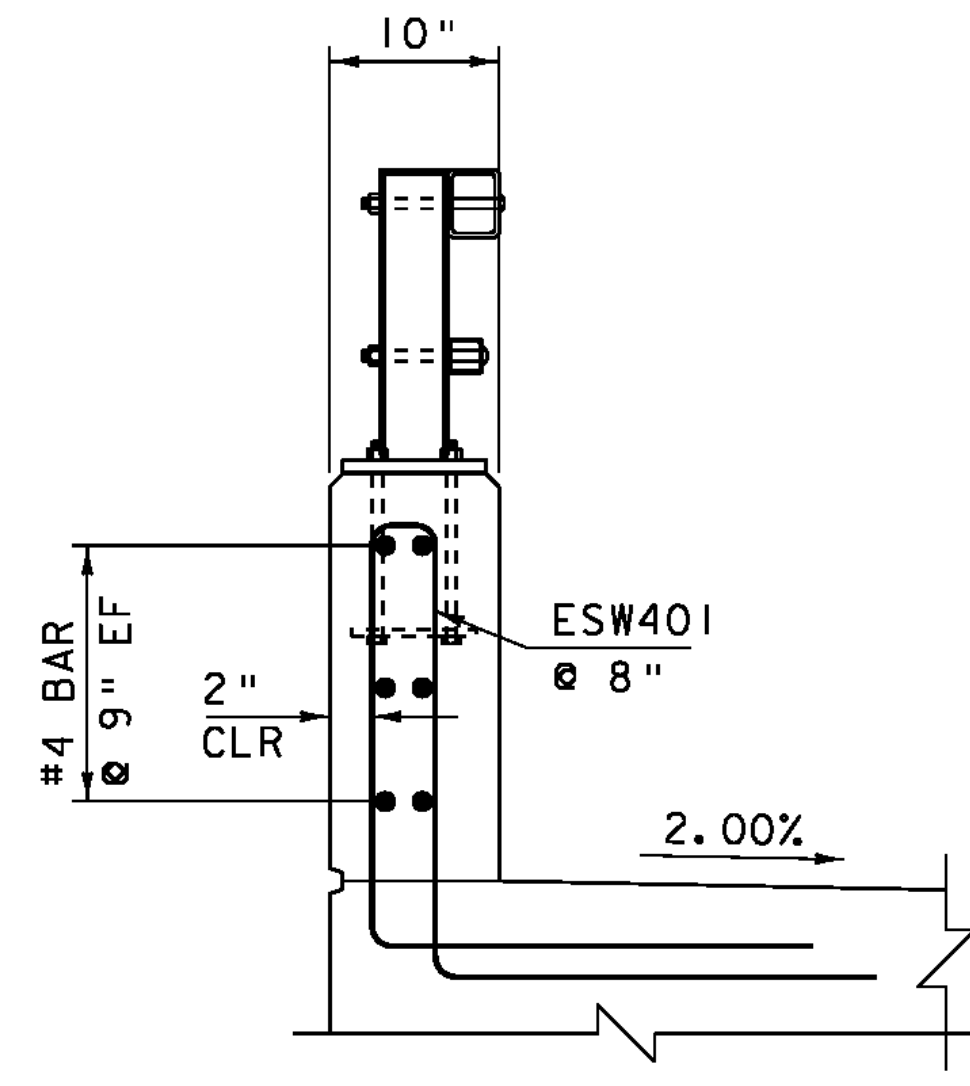
RAIL TYPICAL SECTION

SCALE 1" = 1'-0"



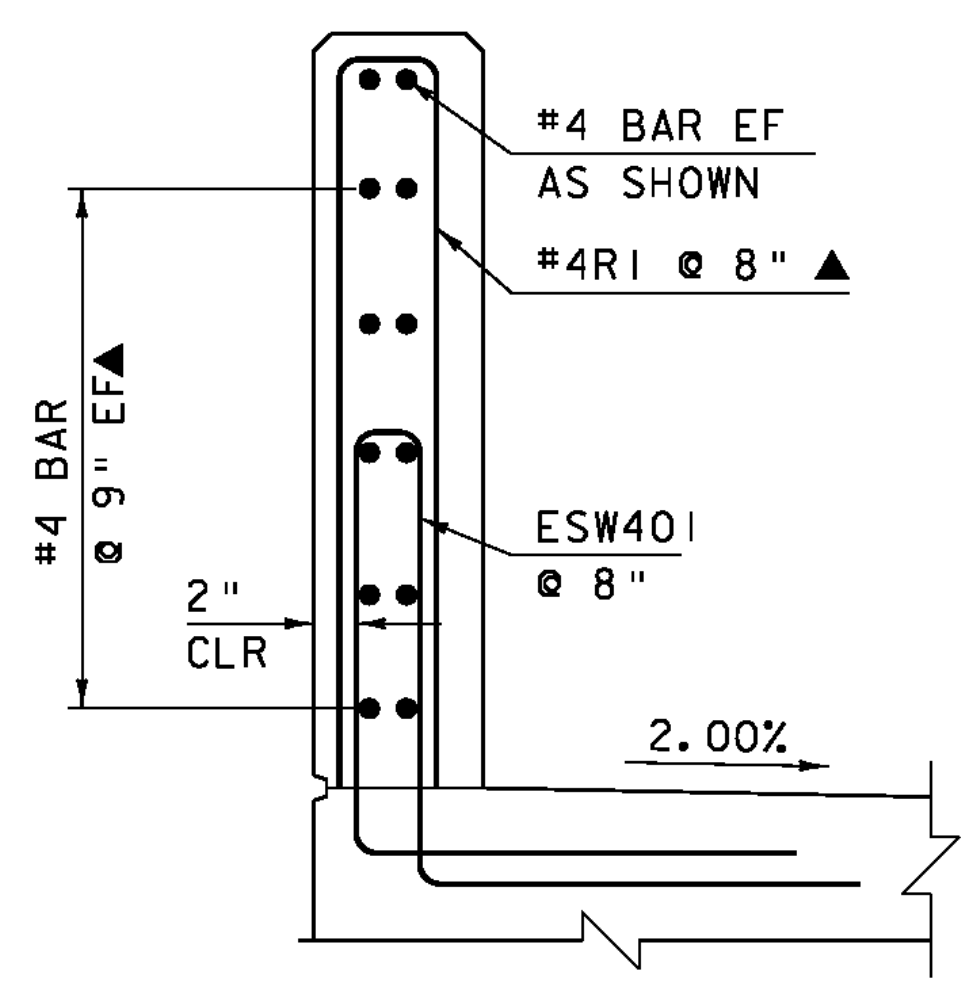
SECTION A-A

SCALE 1" = 1'-0"



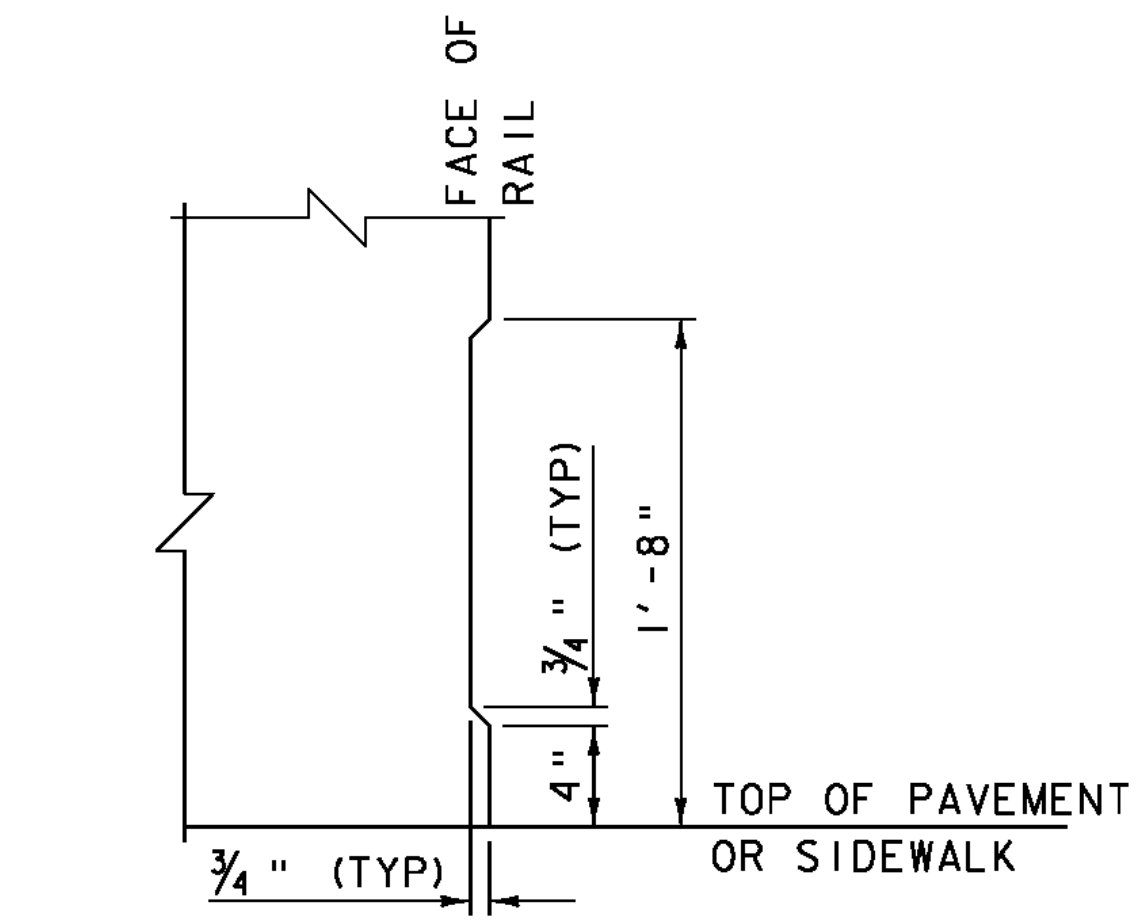
SECTION B-B

SCALE 1" = 1'-0"



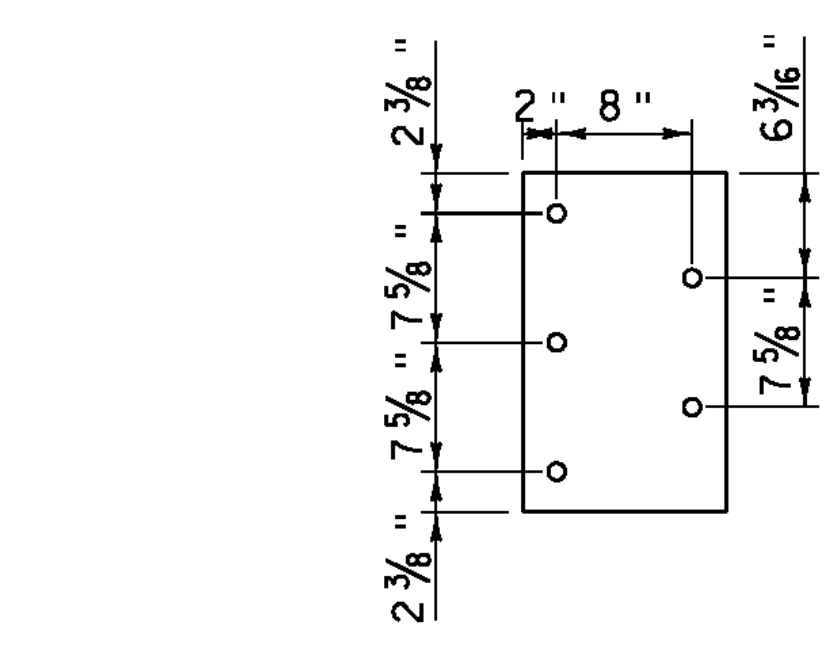
SECTION C-C

SCALE 1" = 1'-0"



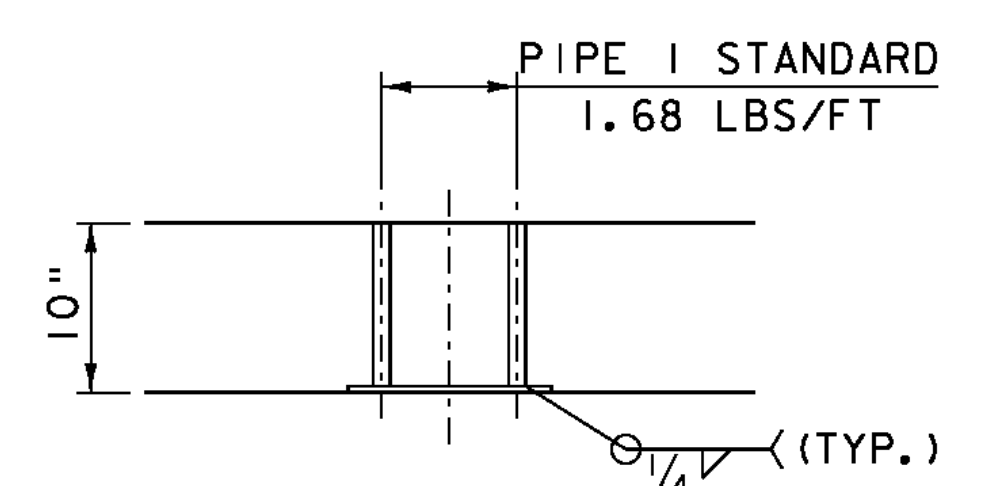
ASTHETIC TREATMENT DETAIL

SCALE 1 1/2" = 1'



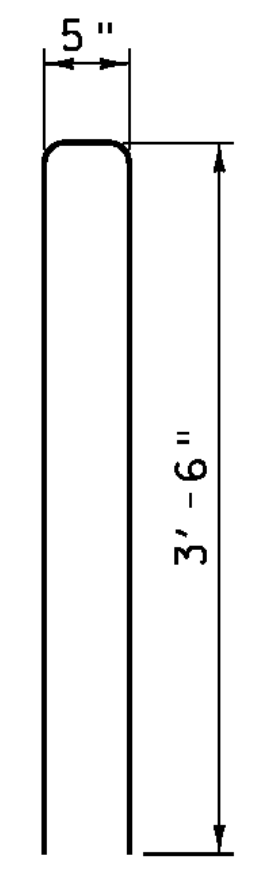
ELEVATION THRIE-BEAM CONNECTION PLATE DETAIL

SCALE 1" = 1'-0"



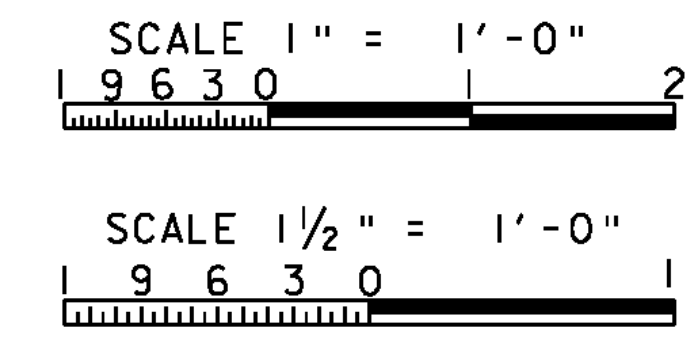
PLAN THRIE-BEAM CONNECTION PLATE DETAIL

SCALE 1" = 1'-0"



BAR #4RI

SCALE 1" = 1'-0"
(36 - REQUIRED)



NOTES:

1. BRIDGE RAIL SHALL HAVE A RUBBED FINISH IN ACCORDANCE WITH SECTION 501.
2. HOLES AND RECESSES ARE TO BE FORMED OR CORED, PERCUSSION DRILLING IS NOT ALLOWED

NOTE:

- NF = NEAR FACE
- FF = FAR FACE
- EF = EACH FACE
- ▲ = CUT TO FIT IN FIELD
- 3" CLEAR, UNLESS OTHERWISE SPECIFIED ON THE PLANS.
- 2'-2" BAR LAP UNLESS OTHERWISE SPECIFIED ON THE PLANS.

PROJECT NAME: CHESTER	PLOT DATE: 20-SEP-2010
PROJECT NUMBER: BRF 025-1(37)	DRAWN BY: D.D.BEARD
FILE NAME: s95b168r-all.dgn	CHECKED BY: H.I.SALLS
PROJECT LEADER: C.P.WILLIAMS	SHEET 100 OF 124
DESIGNED BY: R.S.YOUNG	
BRIDGE 9 BRIDGE RAIL DETAIL 1	