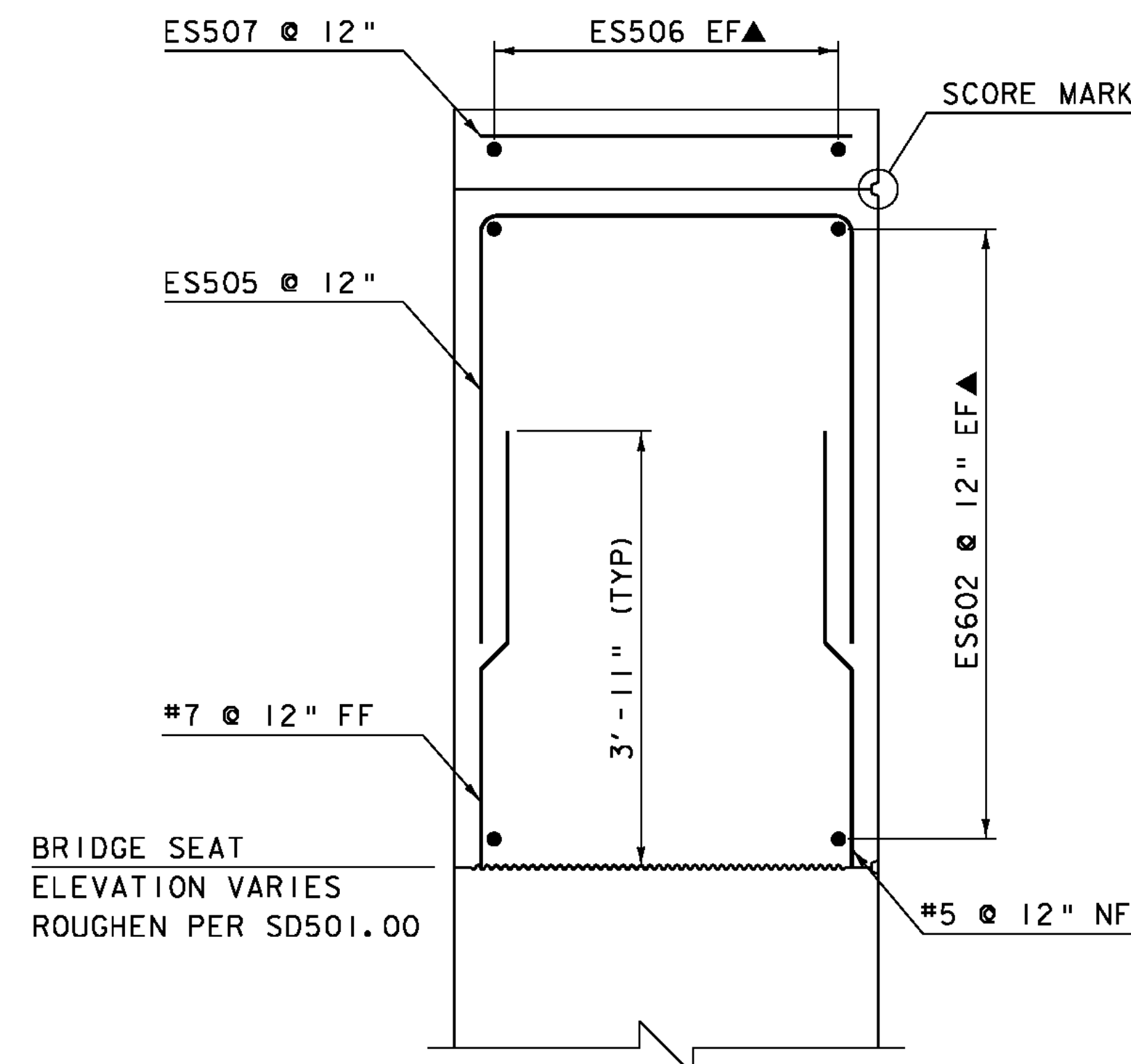


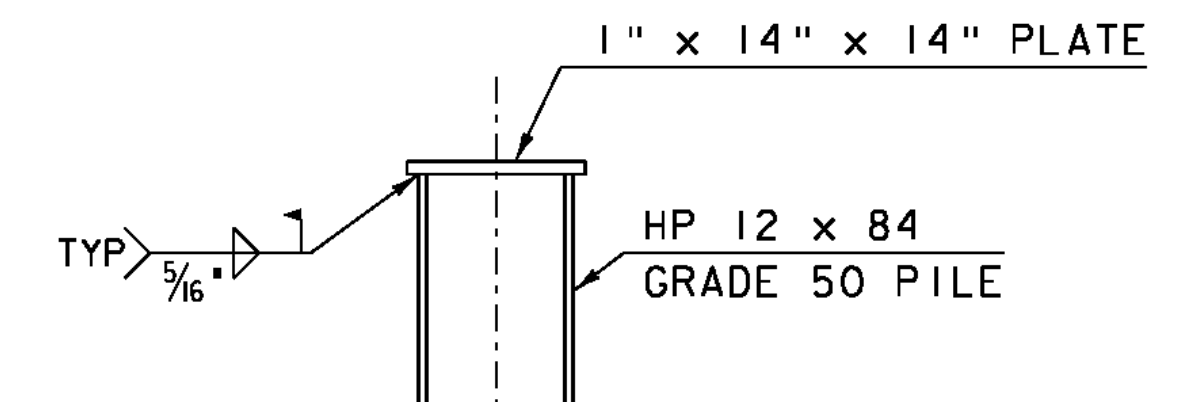
CURTAIN WALL SECTION "A-A"

SCALE 3/4" = 1'-0"
SEE SHEETS 92 - 93



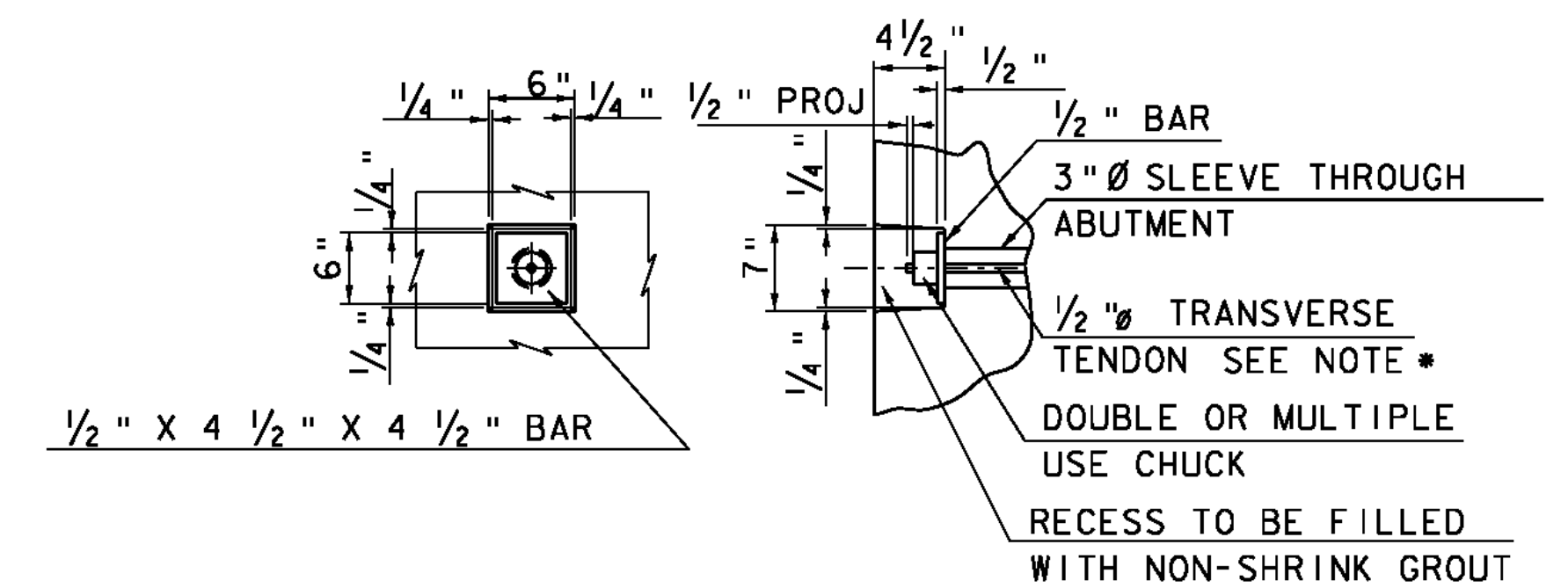
CURTAIN WALL SECTION "B-B"

SCALE 3/4" = 1'-0"
SEE SHEETS 92 - 93



PILE PLATES (TYP)

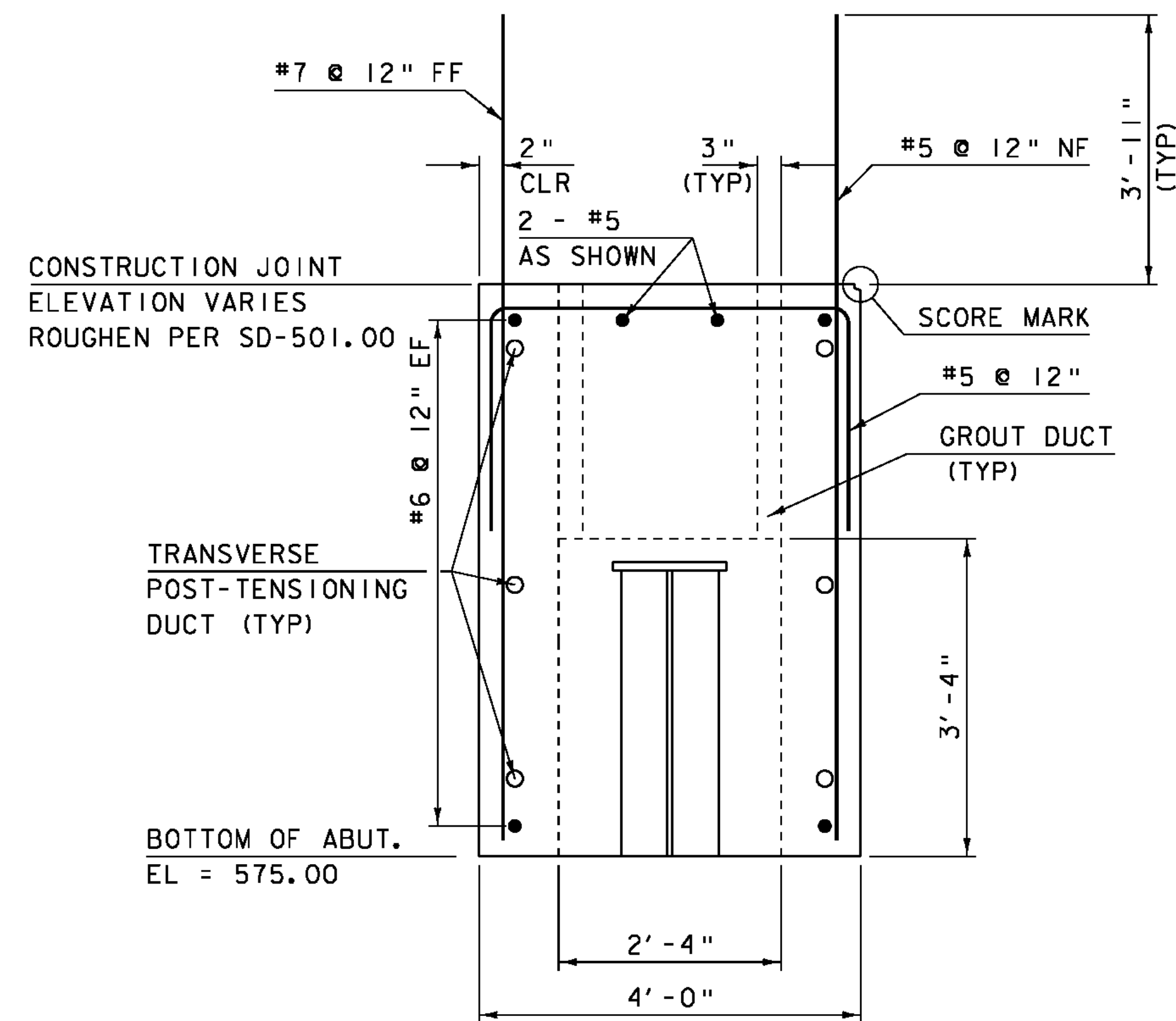
SCALE 3/4" = 1'-0"



1/2" Ø TRANSVERSE TENDON DETAIL

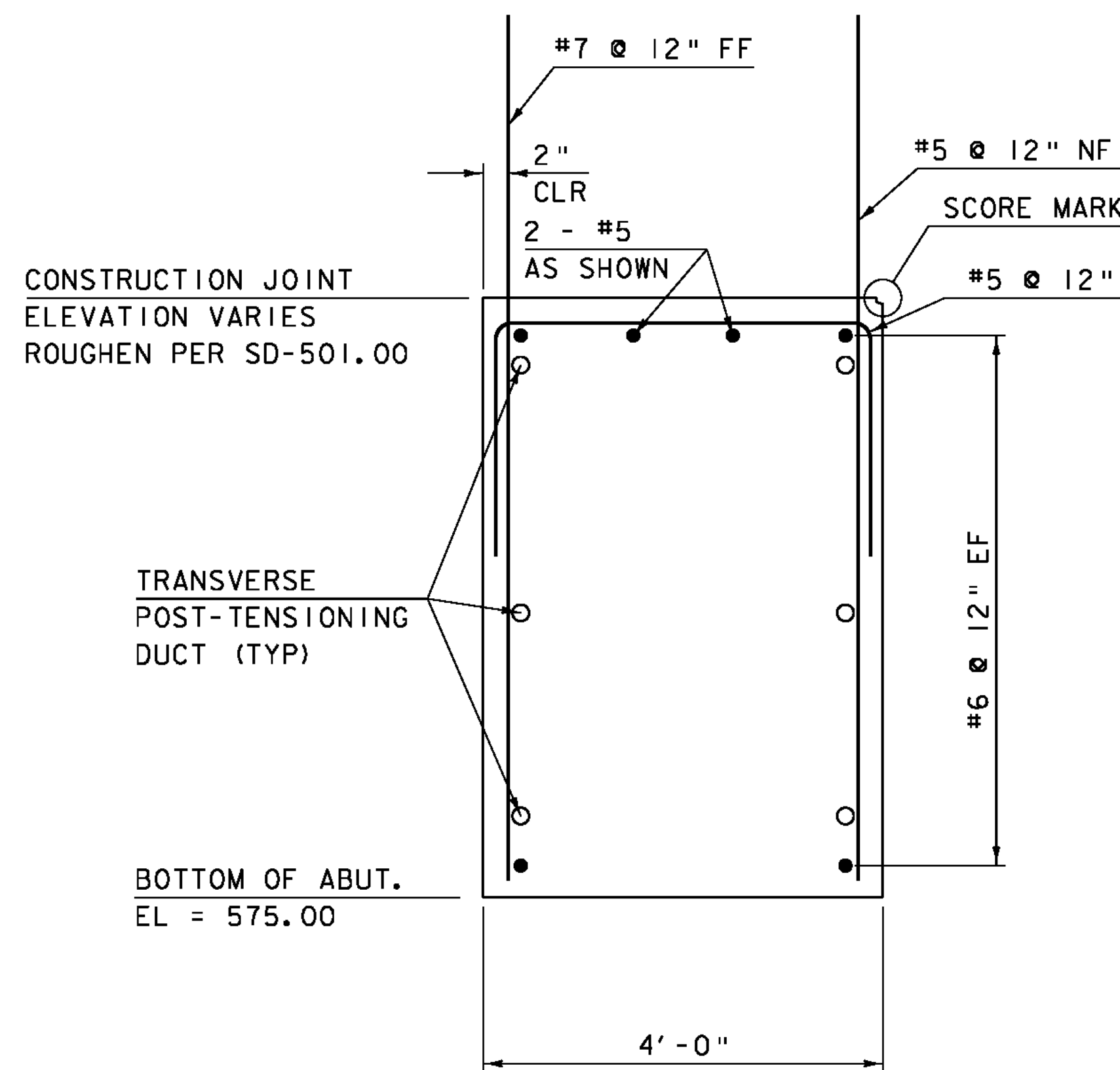
(NOT TO SCALE)

* TRANSVERSE TIES SHALL BE COVERED BY SEAMLESS POLYPROPYLENE SHEATH (WITH CORROSION INHIBITER GREASE BETWEEN SHEATH AND STRAND) FOR THE LENGTH OF STRAND, EXCEPT AT ANCHORAGE LOCATIONS.



PILE CAP SECTION "C-C"

SCALE 3/4" = 1'-0"
SEE SHEETS 94 - 95

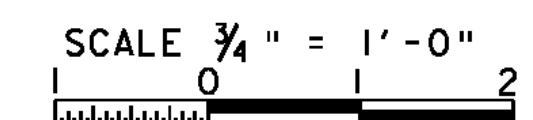


PILE CAP SECTION "D-D"

SCALE 3/4" = 1'-0"
SEE SHEETS 94 - 95

NOTE:

- NF = NEAR FACE
- FF = FAR FACE
- EF = EACH FACE
- ▲ = CUT TO FIT IN FIELD
- 3" CLEAR, UNLESS OTHERWISE SPECIFIED ON THE PLANS.
- 2'-2" BAR LAP UNLESS OTHERWISE SPECIFIED ON THE PLANS.



PROJECT NAME: CHESTER
PROJECT NUMBER: BRF 025-1(37)

FILE NAME: 95b168\95b168sub.dgn PLOT DATE: 20-SEP-2010
PROJECT LEADER: C.P.WILLIAMS DRAWN BY: D.D.BEARD
DESIGNED BY: R.S.YOUNG CHECKED BY: R.S.YOUNG
BRIDGE 9 ABUTMENT SECTIONS SHEET 96 OF 124