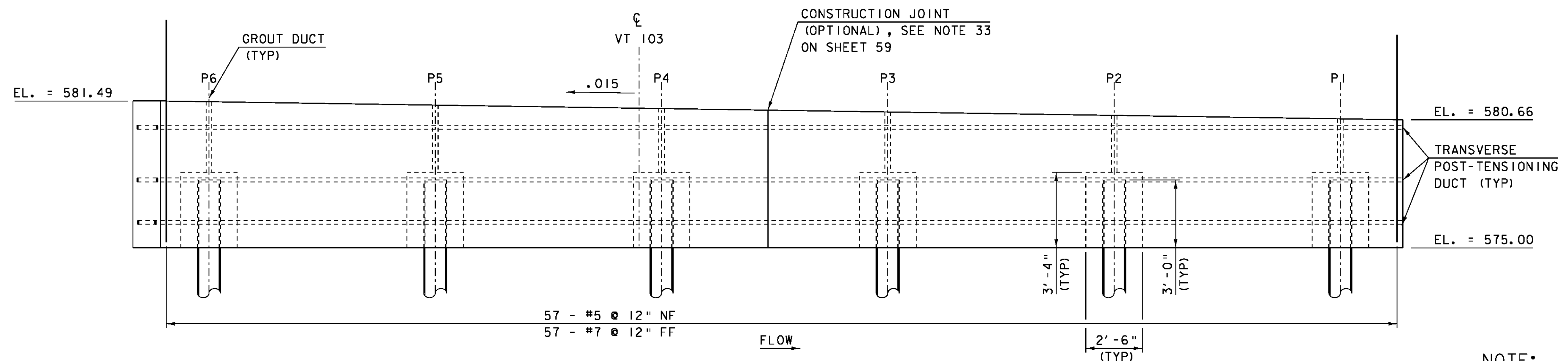


ABUTMENT #1 PILE CAP PLAN

SCALE $\frac{3}{8}$ " = 1'-0"



ABUTMENT #1 PILE CAP ELEVATION

SCALE $\frac{3}{8}$ " = 1'-0"

NOTES:

1. ONCE PILES HAVE BEEN CUT TO THEIR FINAL ELEVATIONS, 1" x 14" x 14" STEEL PLATES SHALL BE WELDED TO THE TOP OF THE PILES. PAYMENT FOR THE PLATES SHALL BE INCIDENTAL TO ITEM 505.265 "STEEL PILING FOR INTEGRAL ABUTMENTS, HP 12 X 84"
2. PILE CAVITY GROUT (FILL AND VENT) DUCTS SHALL BE CORRUGATED.
3. SEE GENERAL NOTES FOR ADDITIONAL FABRICATION, CONSTRUCTION, AND SEQUENCE NOTES.
4. SEE SHEET 96 FOR SECTIONS "C-C" & "D-D"

NOTE:

- NF = NEAR FACE
- FF = FAR FACE
- EF = EACH FACE
- ▲ = CUT TO FIT IN FIELD
- 3" CLEAR, UNLESS OTHERWISE SPECIFIED ON THE PLANS.
- 2'-2" BAR LAP UNLESS OTHERWISE SPECIFIED ON THE PLANS.

SCALE $\frac{3}{8}$ " = 1'-0"



SCALE $\frac{3}{4}$ " = 1'-0"



PROJECT NAME: CHESTER
PROJECT NUMBER: BRF 025-1(37)

FILE NAME: 95b168\95b168sub.dgn PLOT DATE: 20-SEP-2010
PROJECT LEADER: C.P.WILLIAMS DRAWN BY: D.D.BEARD
DESIGNED BY: R.S.YOUNG CHECKED BY: R.S.YOUNG
BRIDGE 9 ABUTMENT 1 PRECAST PILE CAP SHEET 94 OF 124