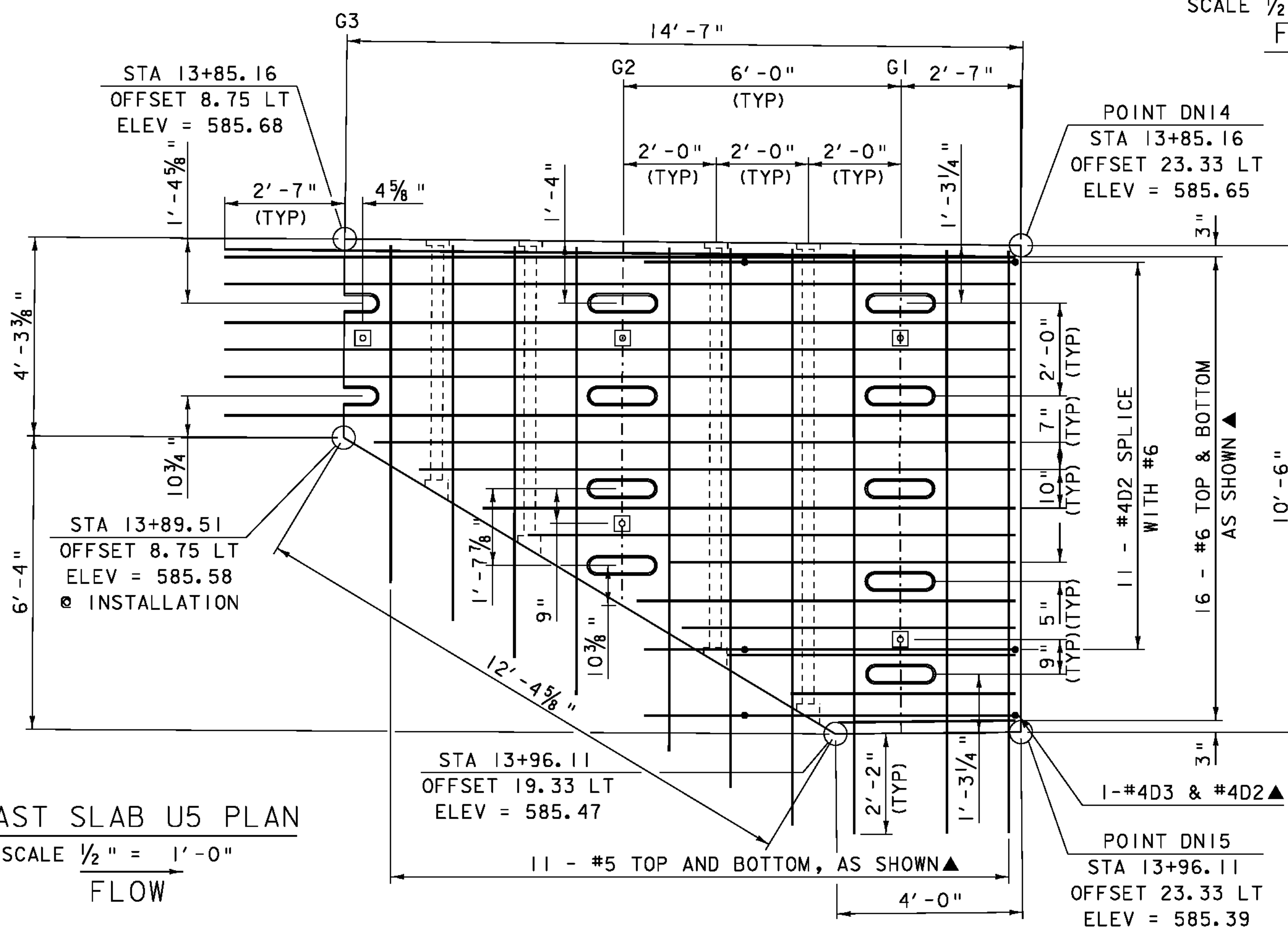


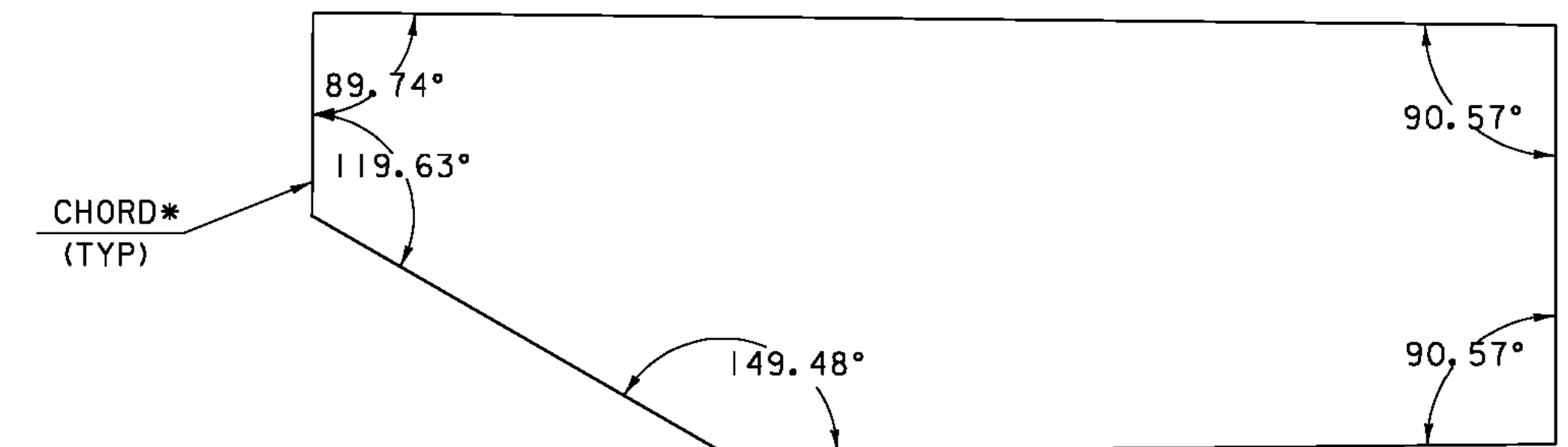
PRECAST SLAB U4 PLAN

SCALE 1/2" = 1'-0"
FLOW

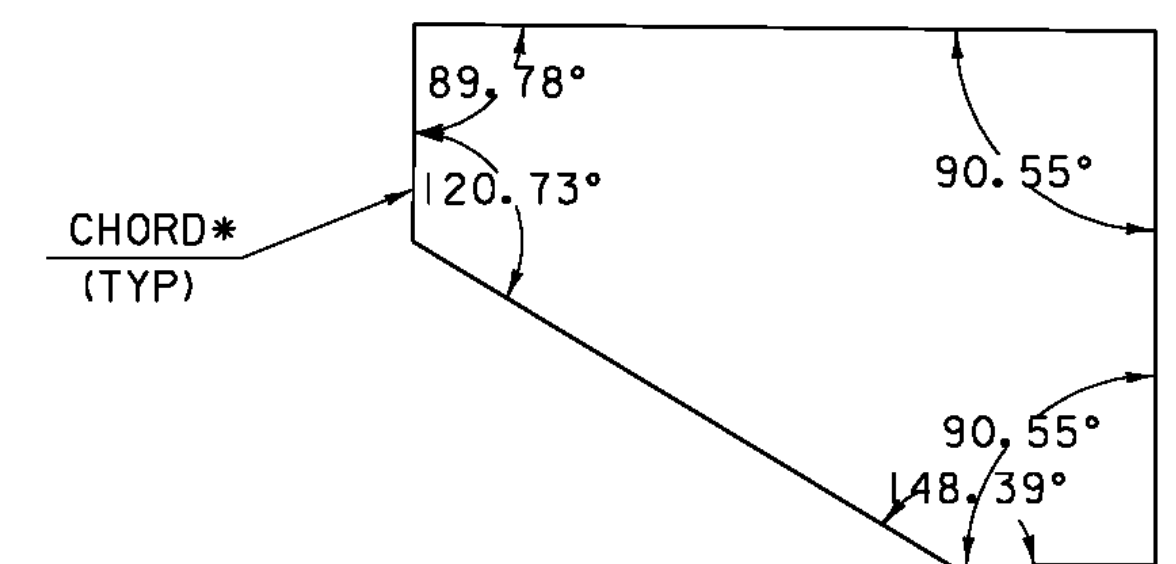


PRECAST SLAB U5 PLAN

SCALE 1/2" = 1'-0"
FLOW



U14 ANGLES



U15 ANGLES

NOTE:

- NF = NEAR FACE
- FF = FAR FACE
- EF = EACH FACE
- ▲ = CUT TO FIT IN FIELD
- 3" CLEAR, UNLESS OTHERWISE SPECIFIED ON THE PLANS.
- 2'-2" BAR LAP UNLESS OTHERWISE SPECIFIED ON THE PLANS.

* ANGLES ARE IN REFERENCE TO THE CHORD BETWEEN POINTS OF CURVATURE AT THE CORNERS. THE SLAB FASCIAS SHALL BE FORMED RADIAL.

SCALE 1/2" = 1'-0"

PROJECT NAME: CHESTER
PROJECT NUMBER: BRF 025-1(37)

FILE NAME: 95b168\s95b168deckpanels.dgn PLOT DATE: 21-SEP-2010
PROJECT LEADER: C.P.WILLIAMS DRAWN BY: D.D.BEARD
DESIGNED BY: H.I.SALLS CHECKED BY: R.S.YOUNG
BRIDGE 9 PRECAST DECK SLAB DETAILS 3 SHEET 89 OF 124