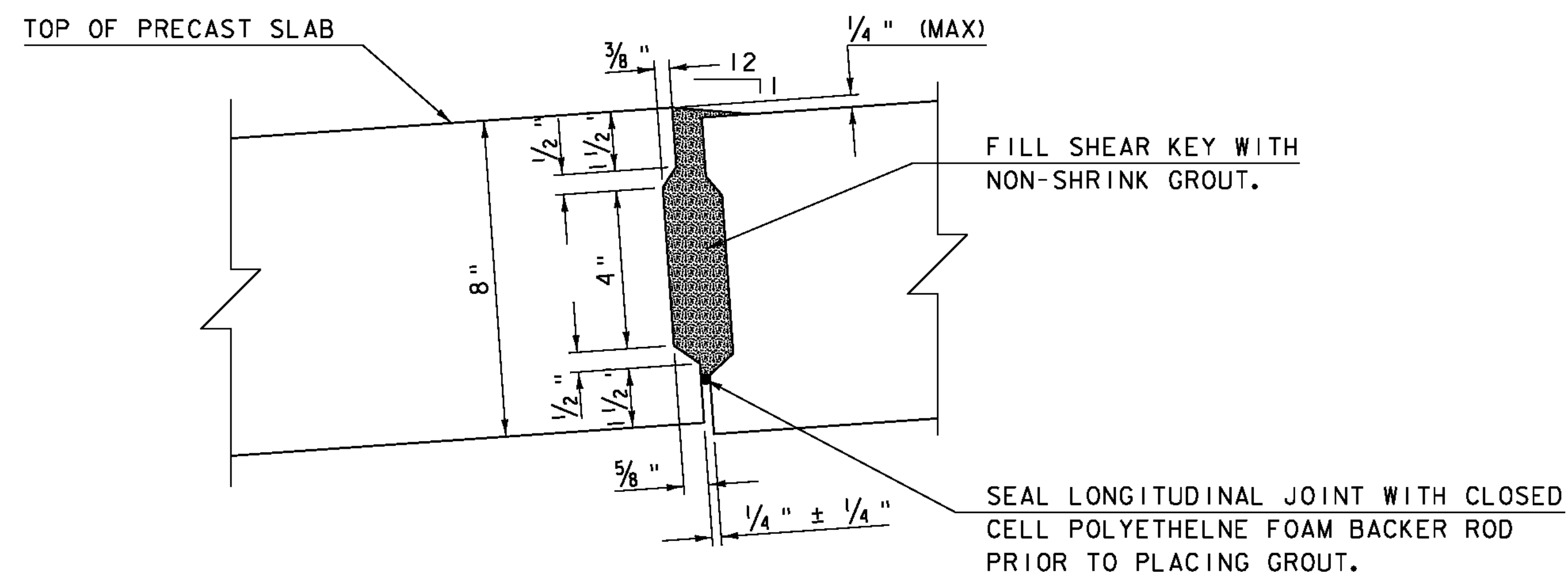


PRECAST SLAB TYPICAL SECTION

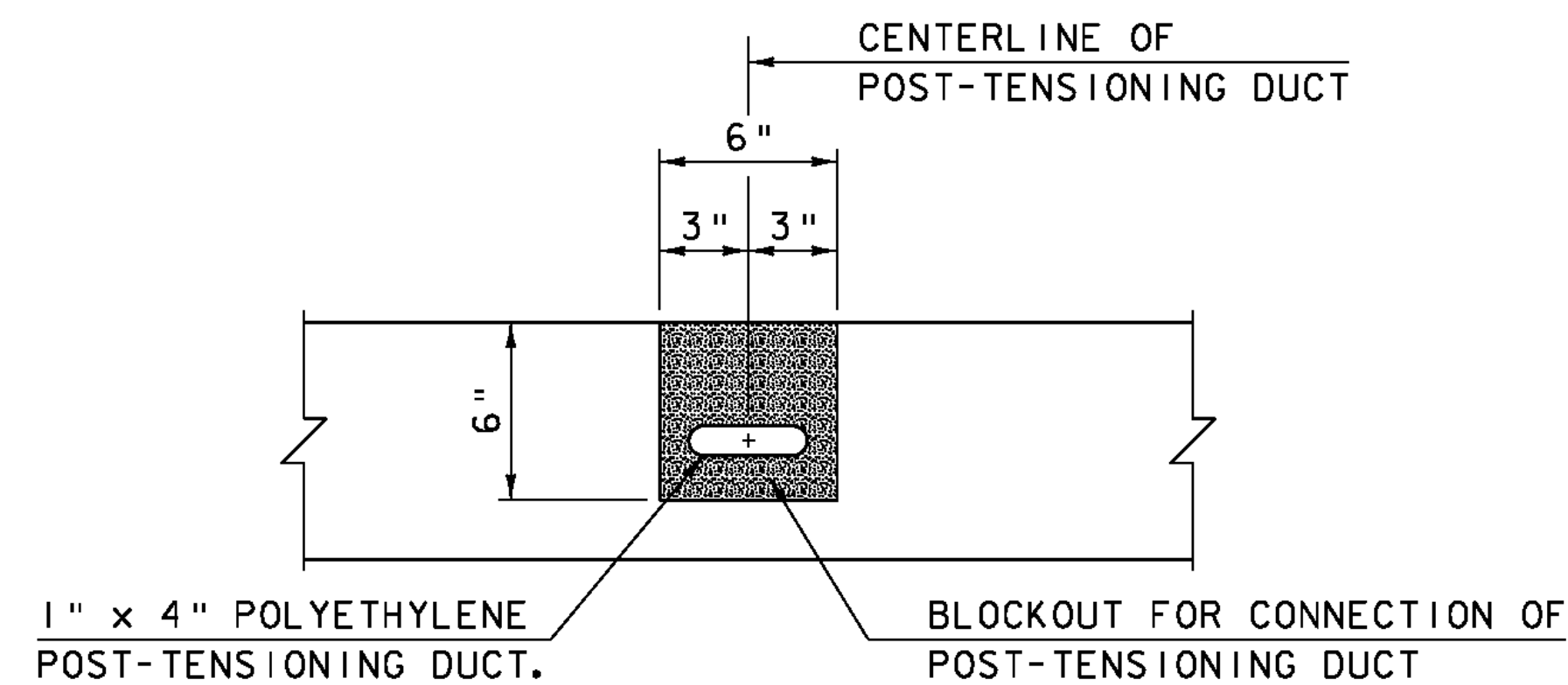
HORIZONTAL SCALE : 1/2" = 1'-0"
 VERTICAL SCALE : 1/4" = 1'-0"



TRANSVERSE SHEAR KEY DETAILS

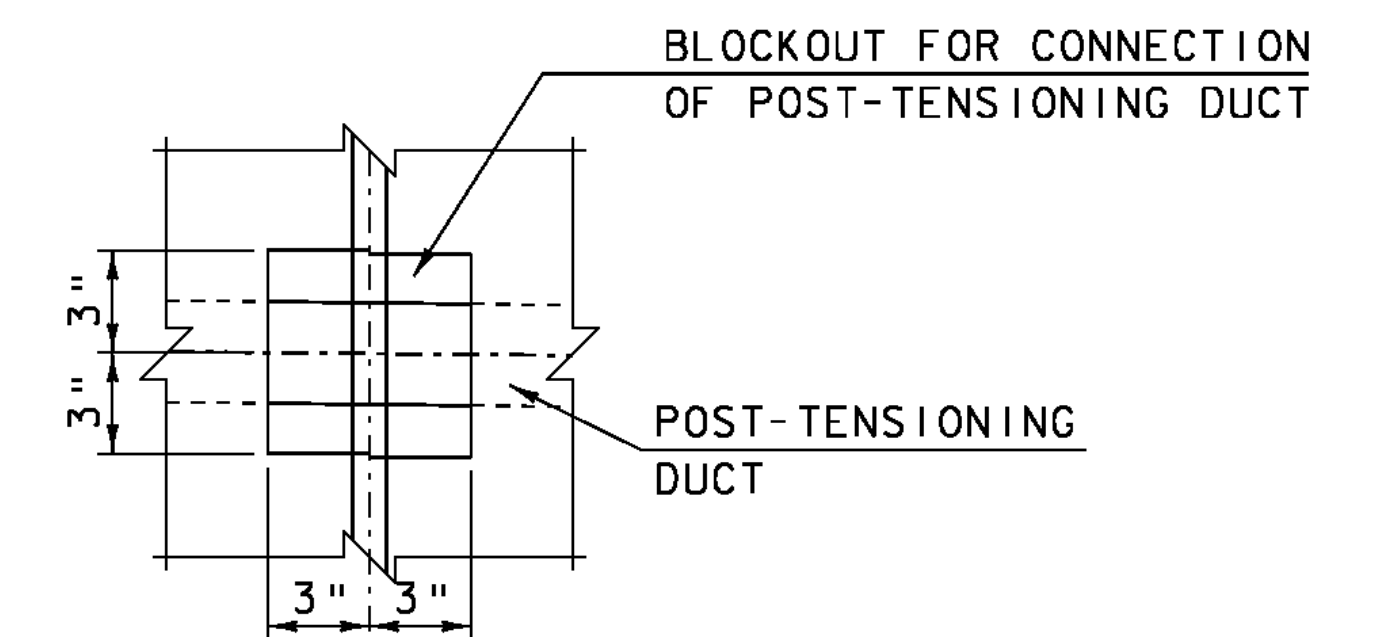
N. T. S.

- 1: THE SLAB SHALL BE PLACED AT THE NOMINAL SPACING SHOWN ON THE PLANS WITH A 1/4" WIDE GAP BETWEEN THE SLABS. THE WIDTH OF THIS GAP CAN VARY DUE TO TOLERANCES OF THE SLABS.
- 2: GROUT FOR SHEAR KEYS SHALL BE RODDED OR VIBRATED TO ENSURE THAT ALL VOIDS IN THE SHEAR KEYS ARE FILLED.
- 3: POST-TENSIONING DUCT SHOWN IS FOR 3 - 1/2" DIA. PRESTRESSING STRANDS. ALTERNATE DUCTS MAY BE USED. THE CONNECTION OF THE DUCT SHALL BE WATERTIGHT.
- 4: FILL BLOCKOUT WITH NON-SHRINK GROUT SIMULTANEOUSLY WITH THE TRANSVERSE SHEAR KEYS.
- 5: FORM SHEAR KEY ALONG INTERFACE OF PRECAST SLABS AND CLOSURE POUR.



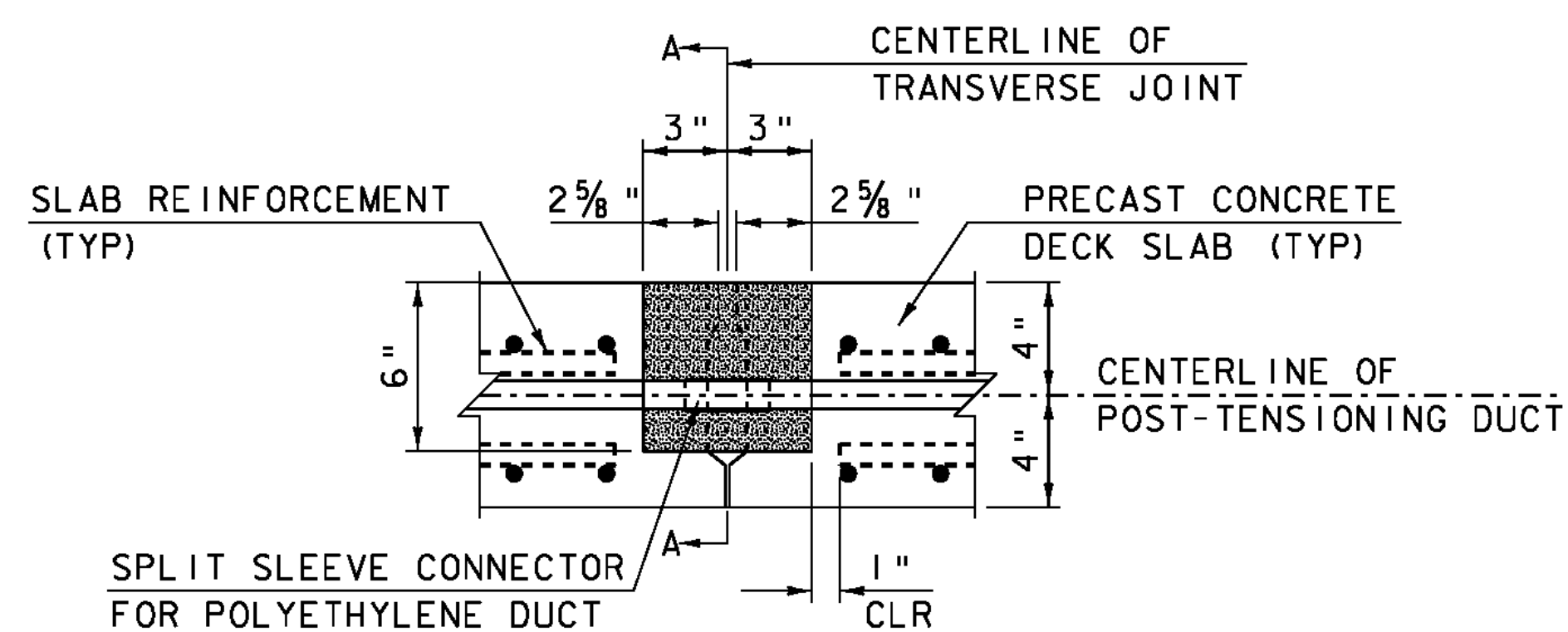
SECTION "A-A"

N. T. S.



PLAN - BLOCKOUT FOR POST-TENSIONING DUCT

N. T. S.



TYPICAL SECTION-TRAVERSE DECK JOINT AT POST-TENSIONING DUCT

N. T. S.

PROJECT NAME: CHESTER	PLOT DATE: 20-SEP-2010
PROJECT NUMBER: BRF 025-1(37)	DRAWN BY: D.D.BEARD
FILE NAME: Structures\s95b168sup.dgn	CHECKED BY: R.S.YOUNG
PROJECT LEADER: C.P.WILLIAMS	DESIGNED BY: E.R.CHARBONNEAU
BR9 PRECAST DECK REINFORCING TYP. SEC.	SHEET 85 OF 124