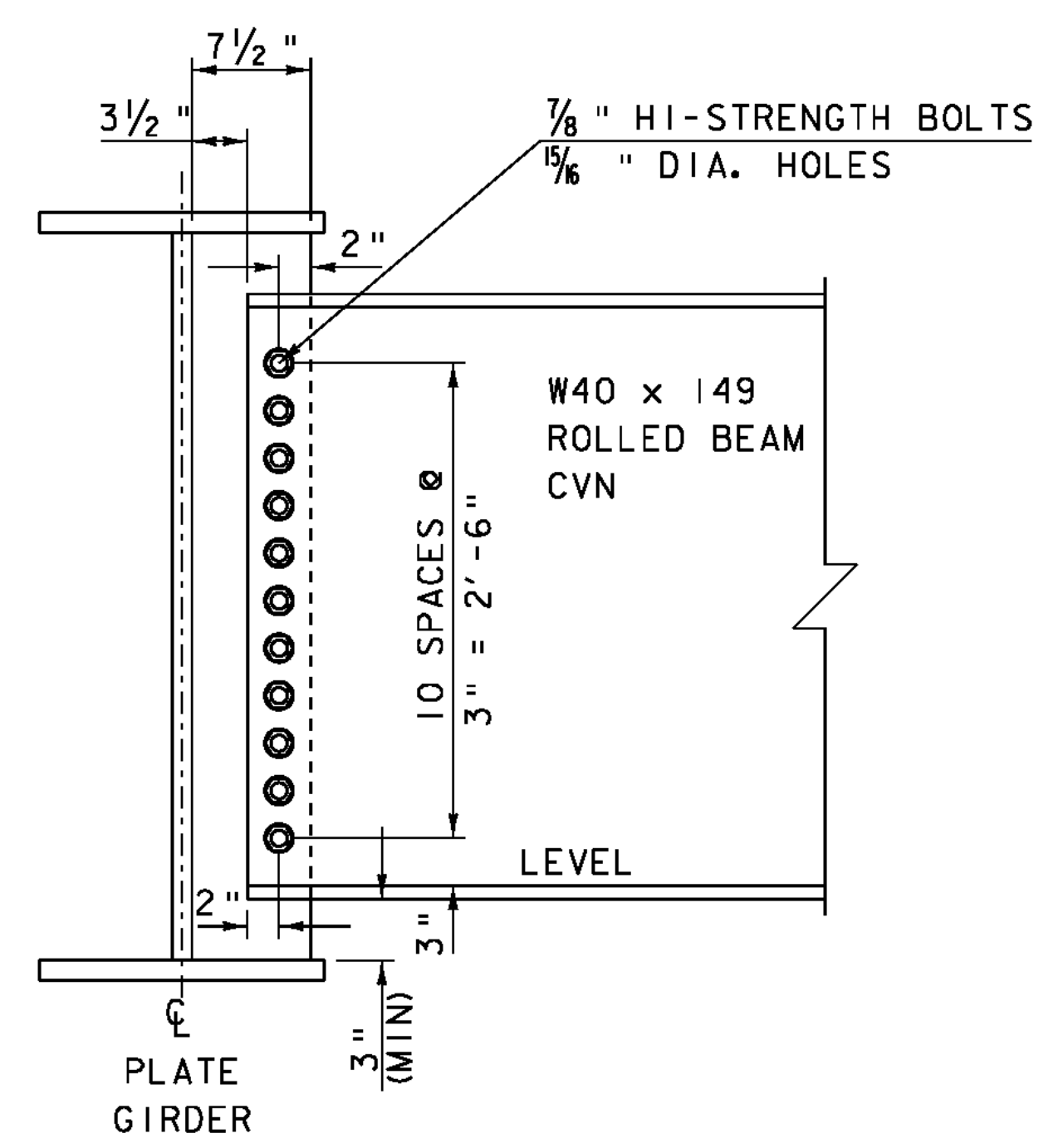


**FRAMING PLAN**

SCALE 3/16" = 1'-0"



NOTE: GIRDER 1 HAS A MAXIMUM SWEEP DISTANCE OF 3'-3 3/4"  
 GIRDER 2 HAS A MAXIMUM SWEEP DISTANCE OF 3'-3 1/8"  
 GIRDER 3 HAS A MAXIMUM SWEEP DISTANCE OF 3'-2 1/2"  
 GIRDER 4 HAS A MAXIMUM SWEEP DISTANCE OF 3'-1 15/16"  
 GIRDER 5 HAS A MAXIMUM SWEEP DISTANCE OF 3'-1 3/8"  
 GIRDER 6 HAS A MAXIMUM SWEEP DISTANCE OF 3'-0 9/16"  
 GIRDER 7 HAS A MAXIMUM SWEEP DISTANCE OF 3'-0 1/4"  
 FIELD SPLICING OF NEW STEEL CURVED GIRDERS WILL NOT BE ALLOWED

NOTE: CONTRACTOR MAY SUBMIT AN EQUIVALENT PLATE DIAPHRAGMS INSTEAD OF THE ROLLED BEAM

**INTERMEDIATE DIAPHRAGM DETAIL**

N. T. S.

SCALE 3/16" = 1'-0"  
 1 0 2 4 6 8

PROJECT NAME: CHESTER	PLOT DATE: 20-SEP-2010
PROJECT NUMBER: BRF 025-1(37)	DRAWN BY: D.D.BEARD
FILE NAME: Structures\s95b168sup.dgn	DESIGNED BY: E.R.CHARBONNEAU
PROJECT LEADER: C.P.WILLIAMS	CHECKED BY: R.S.YOUNG
BRIDGE 9 FRAMING PLAN	SHEET 81 OF 124