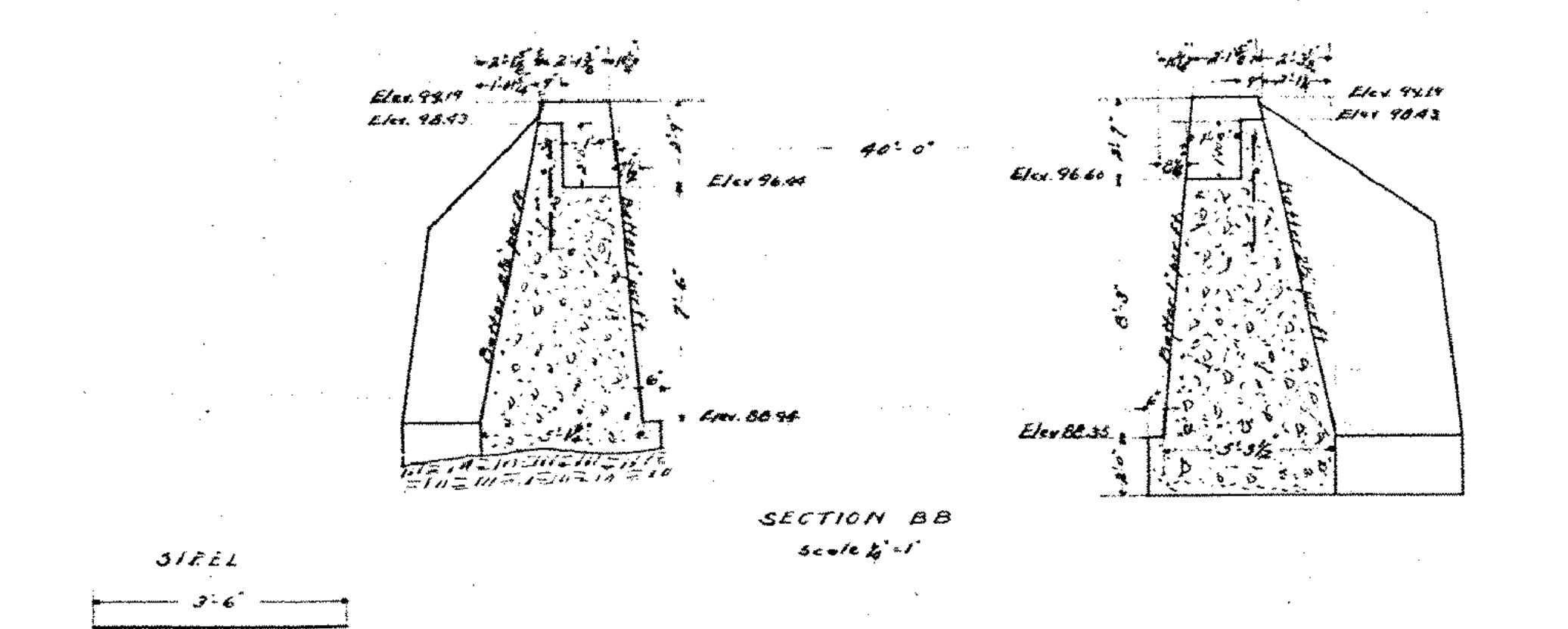
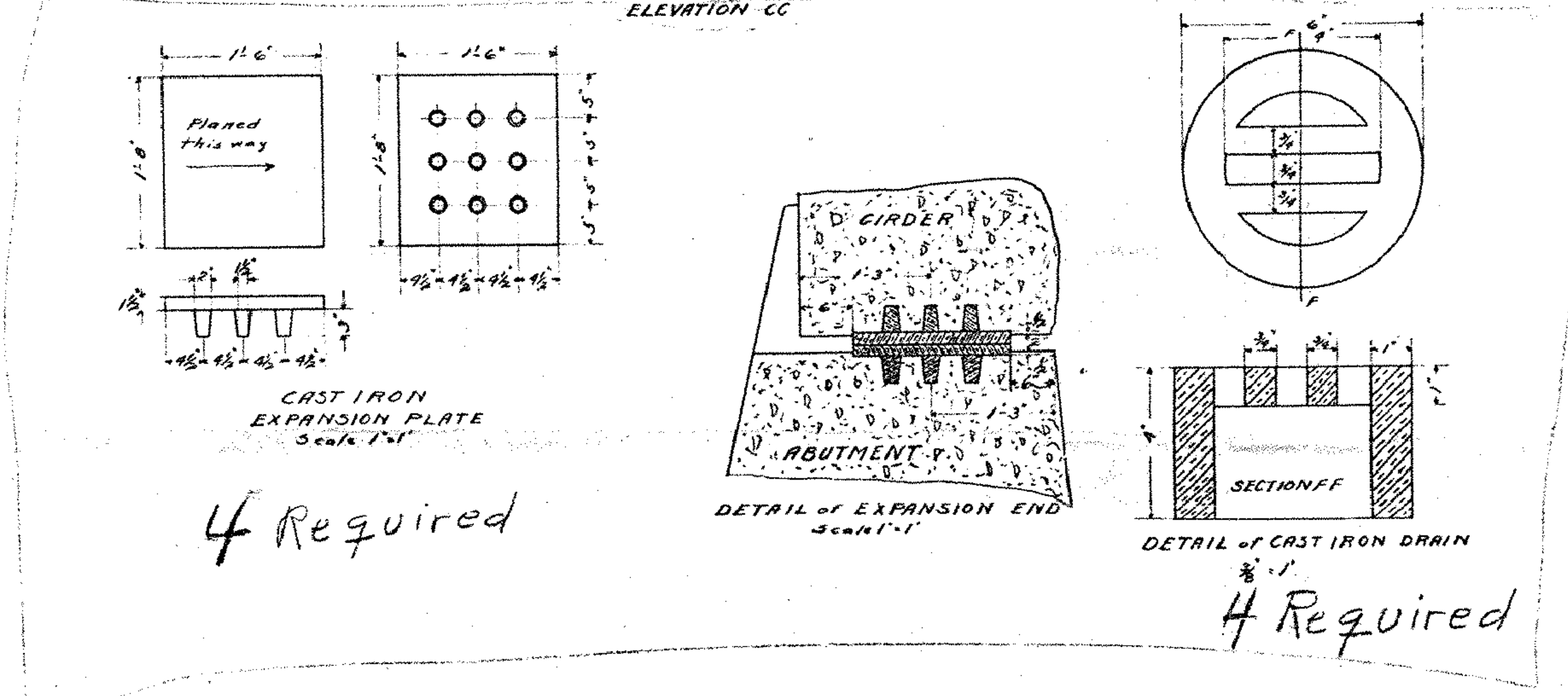
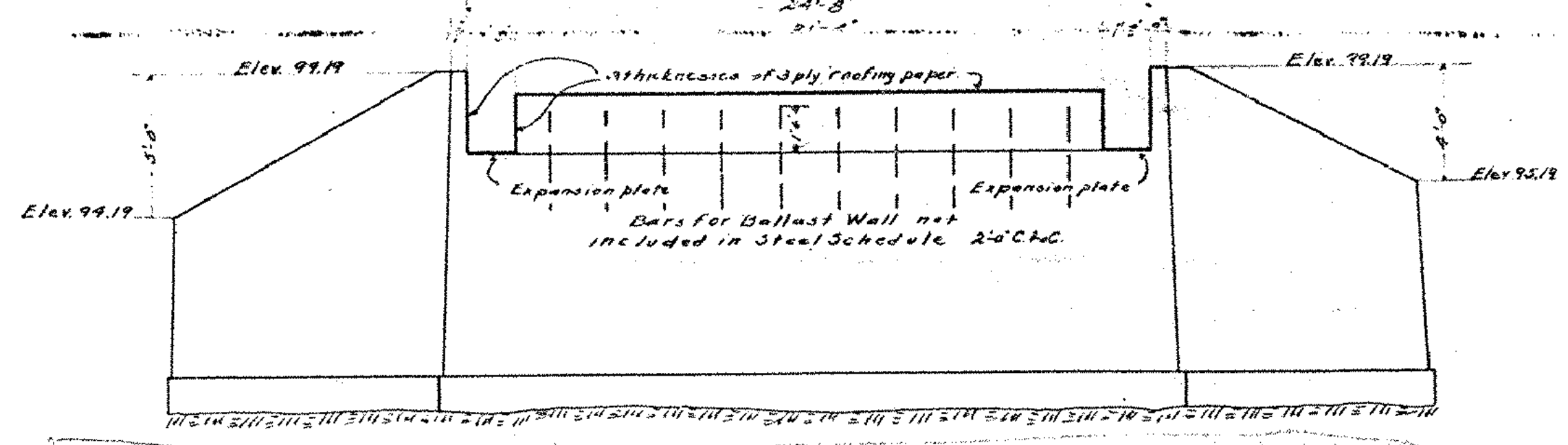
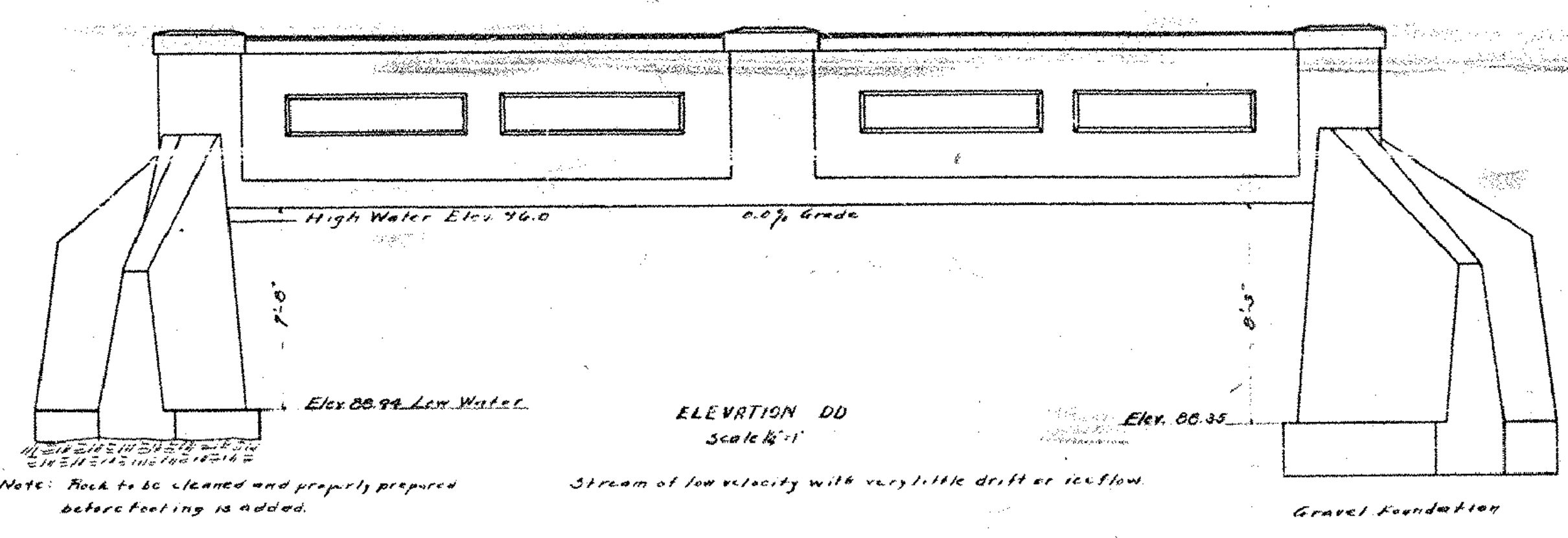
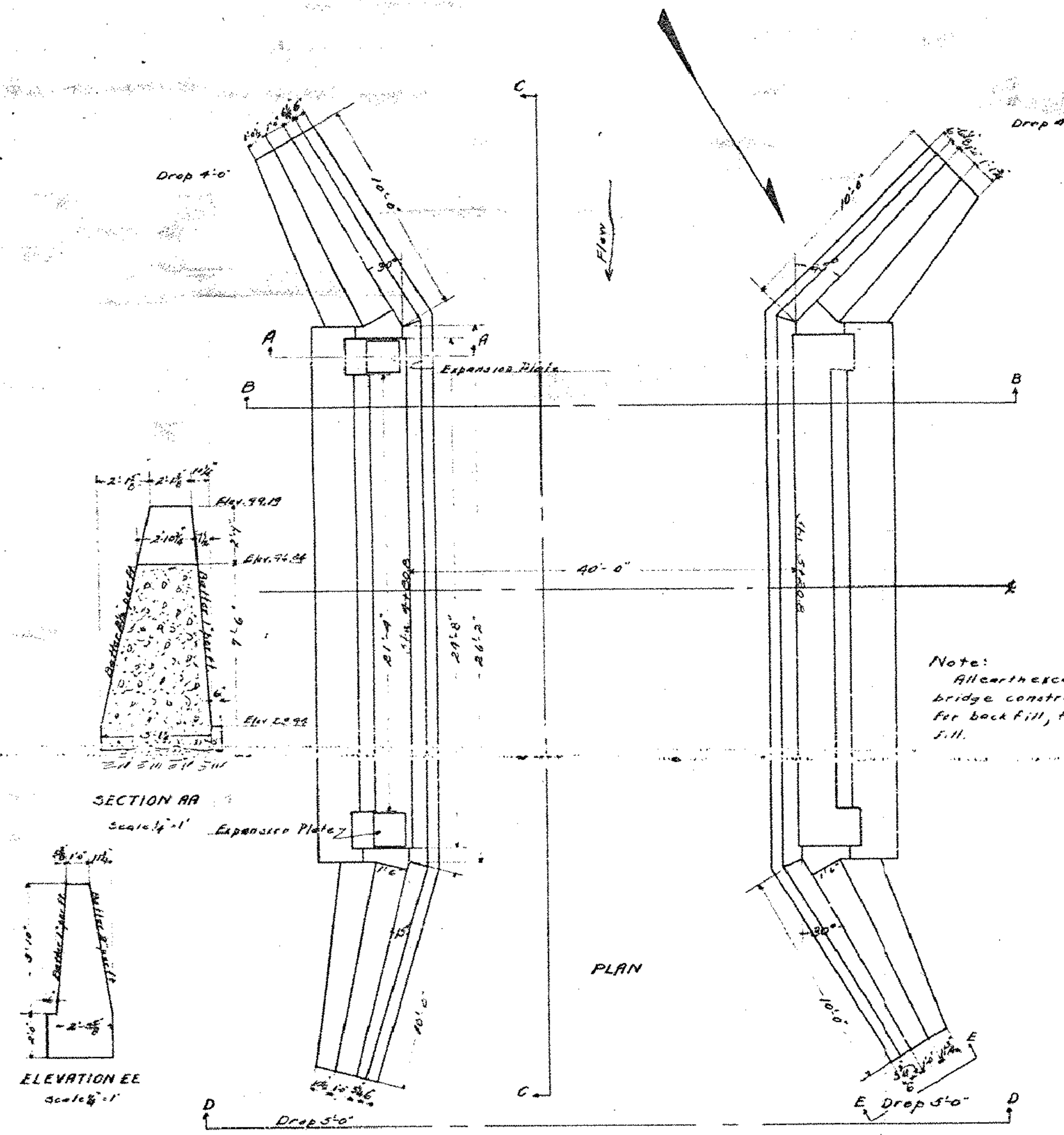


U. ROAD	STATE	FED. AID	FISCAL YEAR	SHEET NO.	TOTAL SHEETS
				2	7



MATERIAL

Steel	60"
4 Cast Iron Plates	60"
4 Gratings	72"
1-2 Concrete in Ballast Wall	27 cu yd
1-2 S Abut. and Wings	113.8

PART OF
ABUTMENTS
BRIDGE STA 5+00
FED. AID PROJECT NO. 46
CHESTER, VT
OVER S. B. Williams
Brook.

BR. NO. 8
Designed by A.J. Pennell 1/10/23
Drawn by G.L. Field 1/11/23
Traced by G.L.F. 1/20/23
Checked by ASA 2/21/23
Series F No. 46 Filed
Sheet 2 of 7

N. T. S.

PROJECT NAME:	CHESTER	PLOT DATE:	20-SEP-2010
PROJECT NUMBER:	BRF 025-1(28)	DRAWN BY:	
FILE NAME:	84e061/Str/s84e06iscans.dgn	CHECKED BY:	
PROJECT LEADER:	C.P. WILLIAMS	SHEET	56 OF 124
DESIGNED BY:			
BRIDGE 8 REFERENCE PLANS			