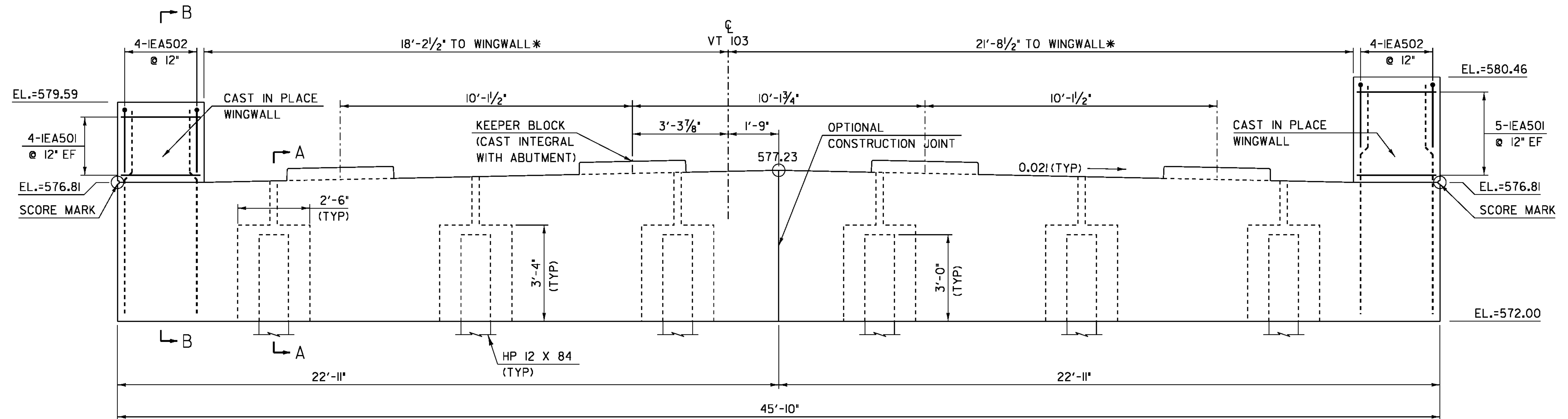


ABUTMENT I PLAN VIEW

SCALE 1/2" = 1'-0"



ABUTMENT I ELEVATION VIEW

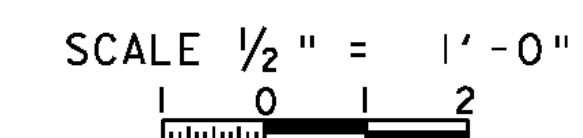
SCALE 1/2" = 1'-0"

SEE SHEET 34
FOR SECTIONS 'A-A' & 'B-B'

* PROVIDE 1/2" PREFORMED JOINT FILLER
BETWEEN FASCIA AND WINGWALLS

NOTE:

- NF = NEAR FACE
- FF = FAR FACE
- EF = EACH FACE
- ▲ = CUT TO FIT IN FIELD
- 3" CLEAR, UNLESS OTHERWISE SPECIFIED ON THE PLANS.
- 2'-2" BAR LAP UNLESS OTHERWISE SPECIFIED ON THE PLANS.



PROJECT NAME: CHESTER
PROJECT NUMBER: BRF 025-1(28)

FILE NAME: 84e061/str/sub.dgn
PROJECT LEADER: C.P.WILLIAMS
DESIGNED BY: R.S.YOUNG
BRIDGE 8 ABUTMENT I DETAILS

PLOT DATE: 20-SEP-2010
DRAWN BY: M.FESSEL
CHECKED BY: R.S.YOUNG
SHEET 33 OF 124