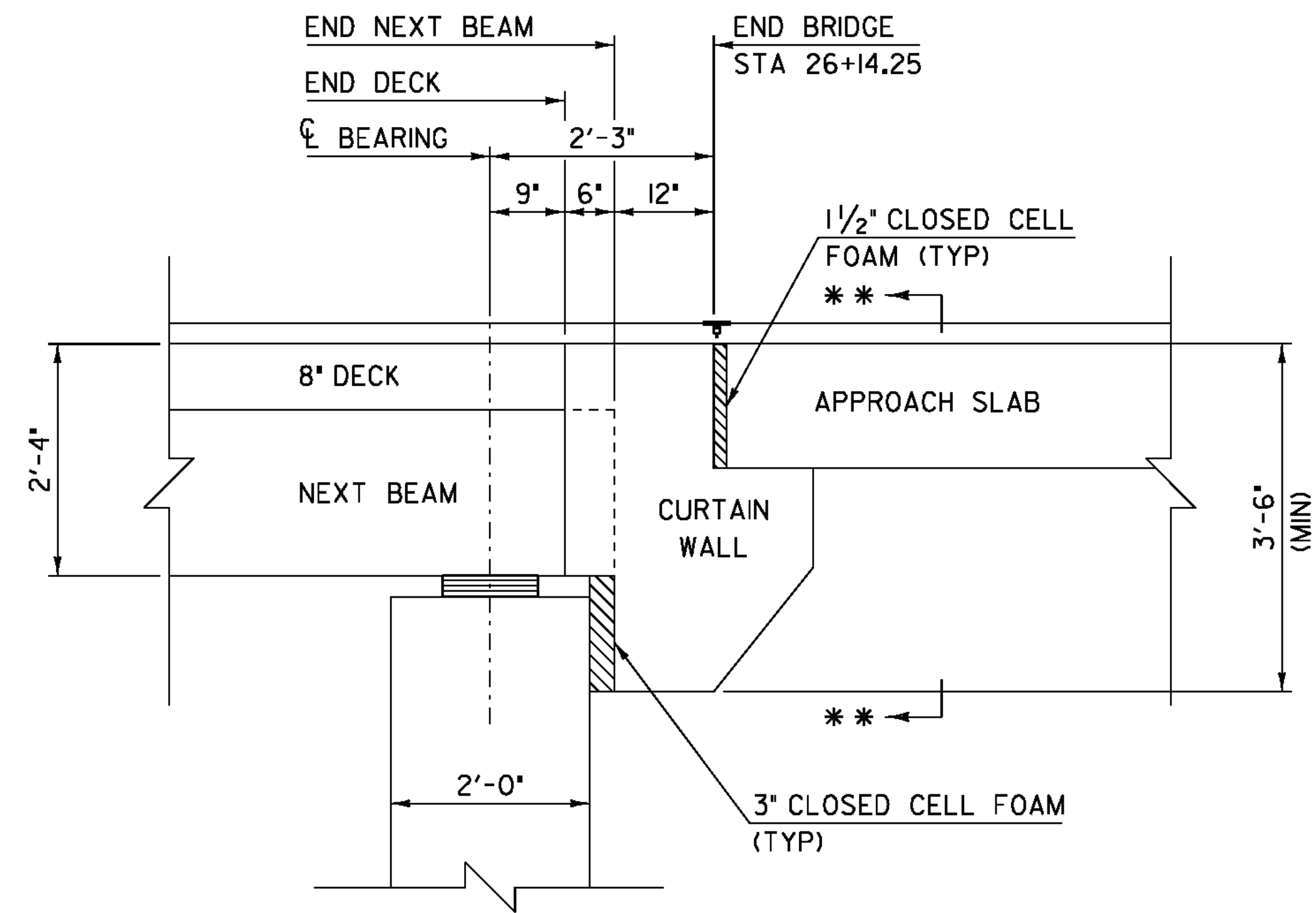


**BRIDGE END DETAIL ABUTMENT 1**

SCALE: 3/4" = 1'-0"

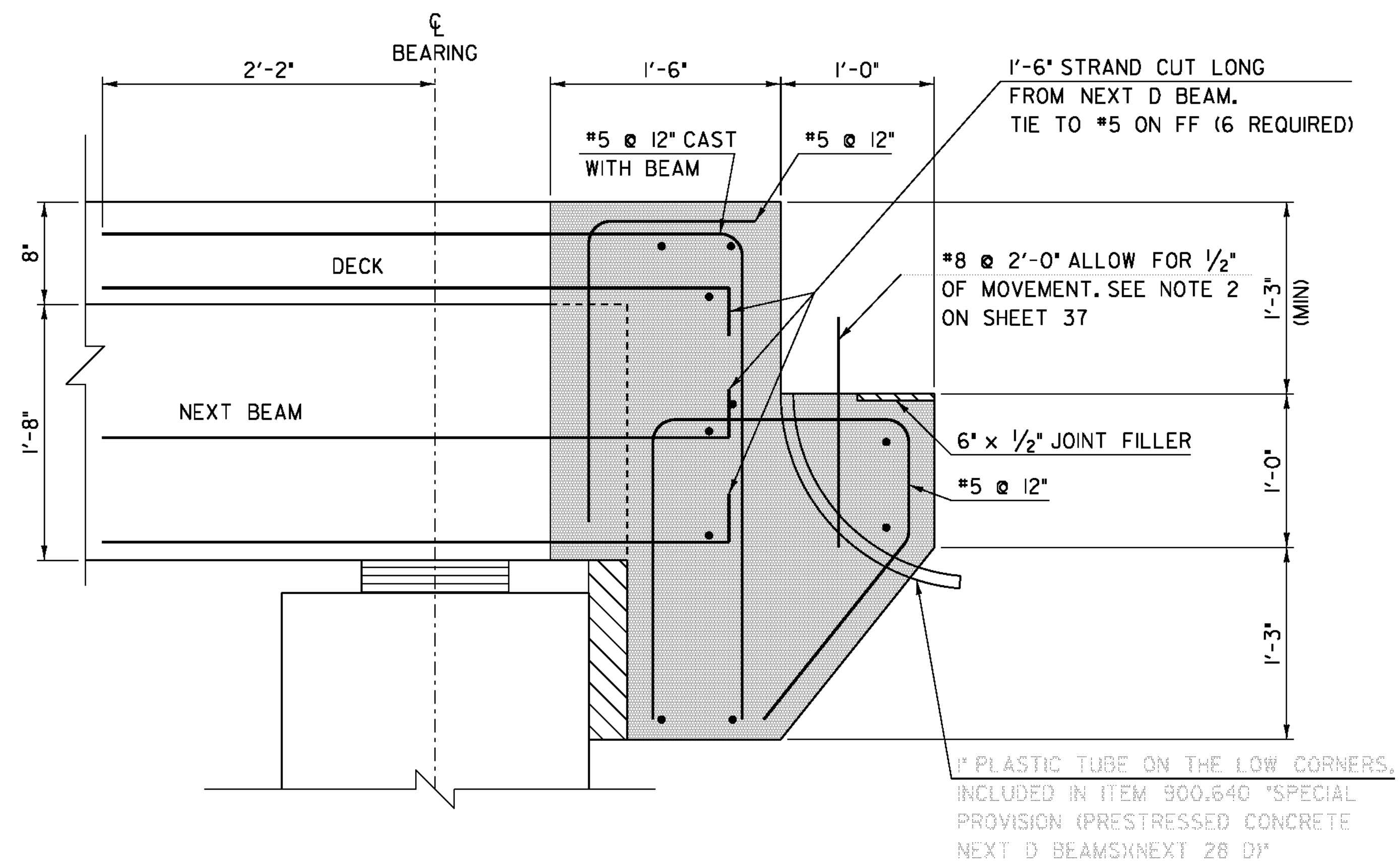
\*\* SEE SHEET 31 FOR CURTAIN WALL END VIEWS



**BRIDGE END DETAIL ABUTMENT 2**

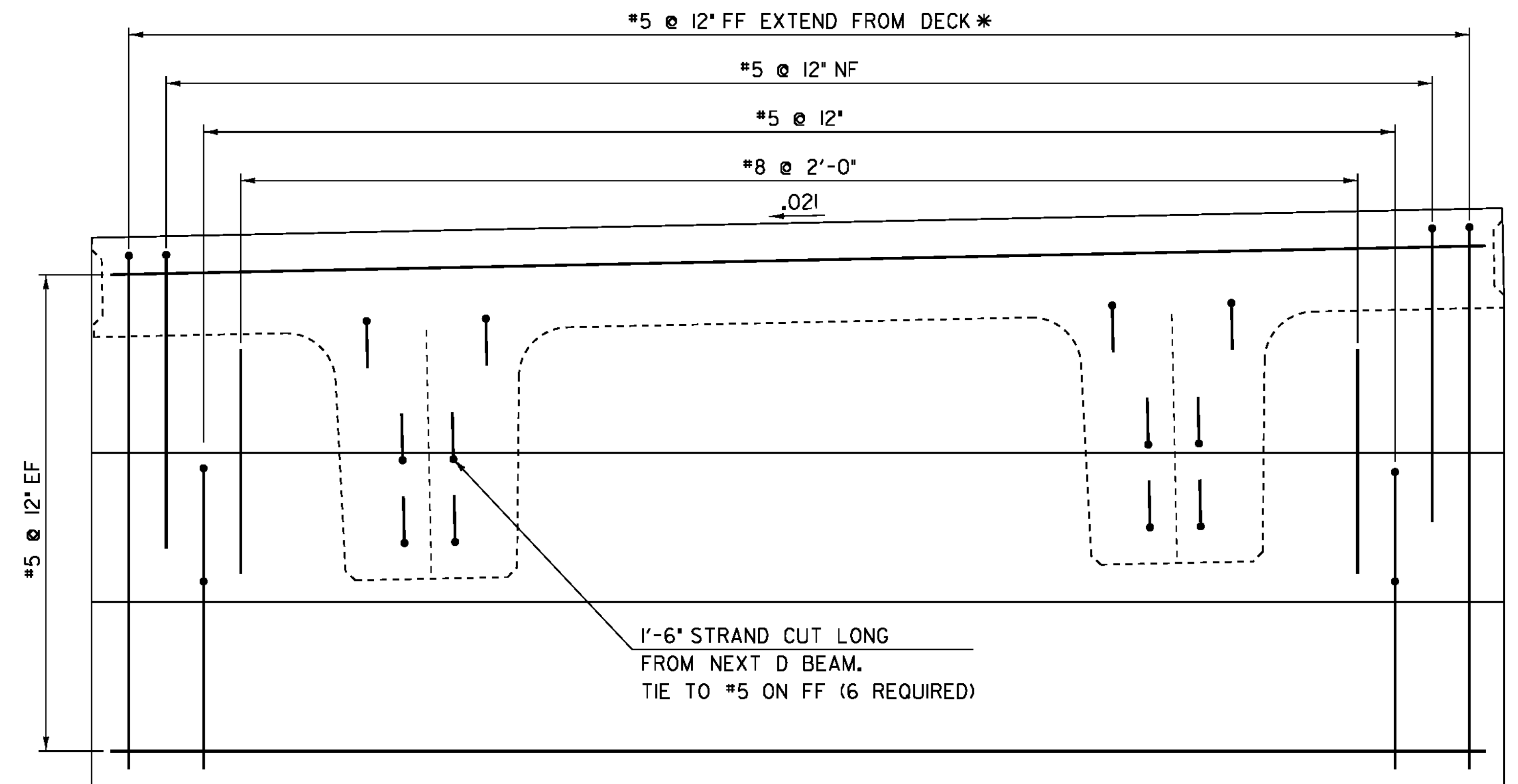
SCALE: 3/4" = 1'-0"

\* 12 ADDITIONAL BARS SHALL BE USED AT THE JOINT LOCATIONS. PAYMENT SHALL BE INCIDENTAL TO ITEM 900.640 SPECIAL PROVISION (PRESTRESSED CONCRETE, NEXT D BEAMS)(NEXT 28 D)



**PRECAST CONCRETE CURTAIN WALL REINFORCING TYPICAL**

SCALE: 1 1/2" = 1'-0"



**PRECAST CONCRETE CURTAIN WALL REINFORCING ELEV.**

SCALE: 1/2" = 1'-0"

SCALE 3/4" = 1'-0"

SCALE 1 1/2" = 1'-0"

PROJECT NAME: CHESTER  
PROJECT NUMBER: BRF 025-1(28)

FILE NAME: 84e061/Str/sub.dgn  
PROJECT LEADER: C.P.WILLIAMS  
DESIGNED BY: R.S.YOUNG  
BRIDGE 8 BRIDGE END DETAILS

PLOT DATE: 20-SEP-2010  
DRAWN BY: M.FESSEL  
CHECKED BY: R.S.YOUNG  
SHEET 30 OF 124