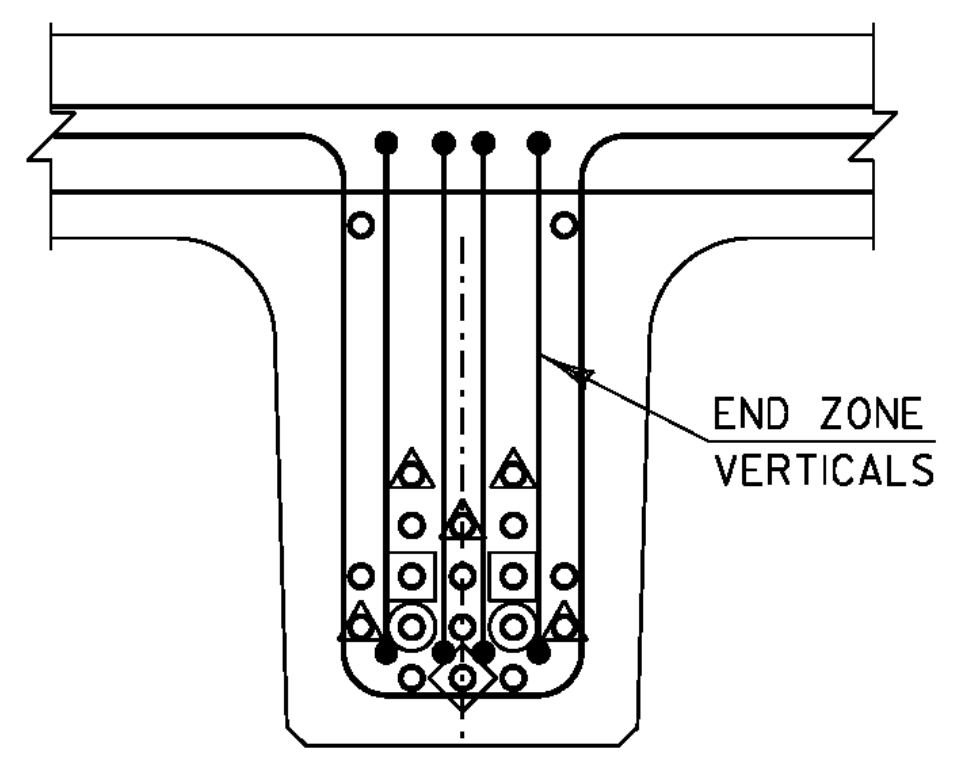
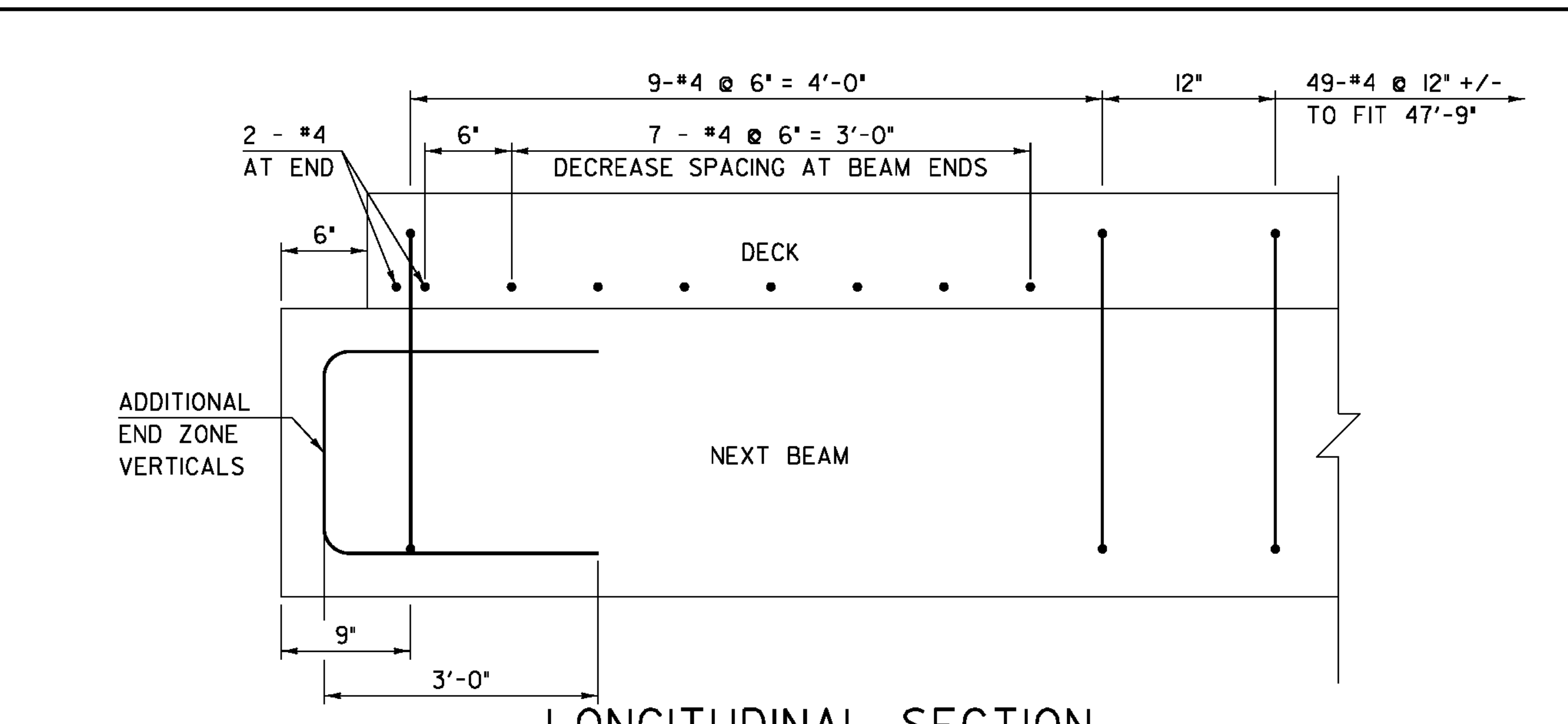


**UNIT 1**  
 SCALE: 1 1/2" = 1'-0"

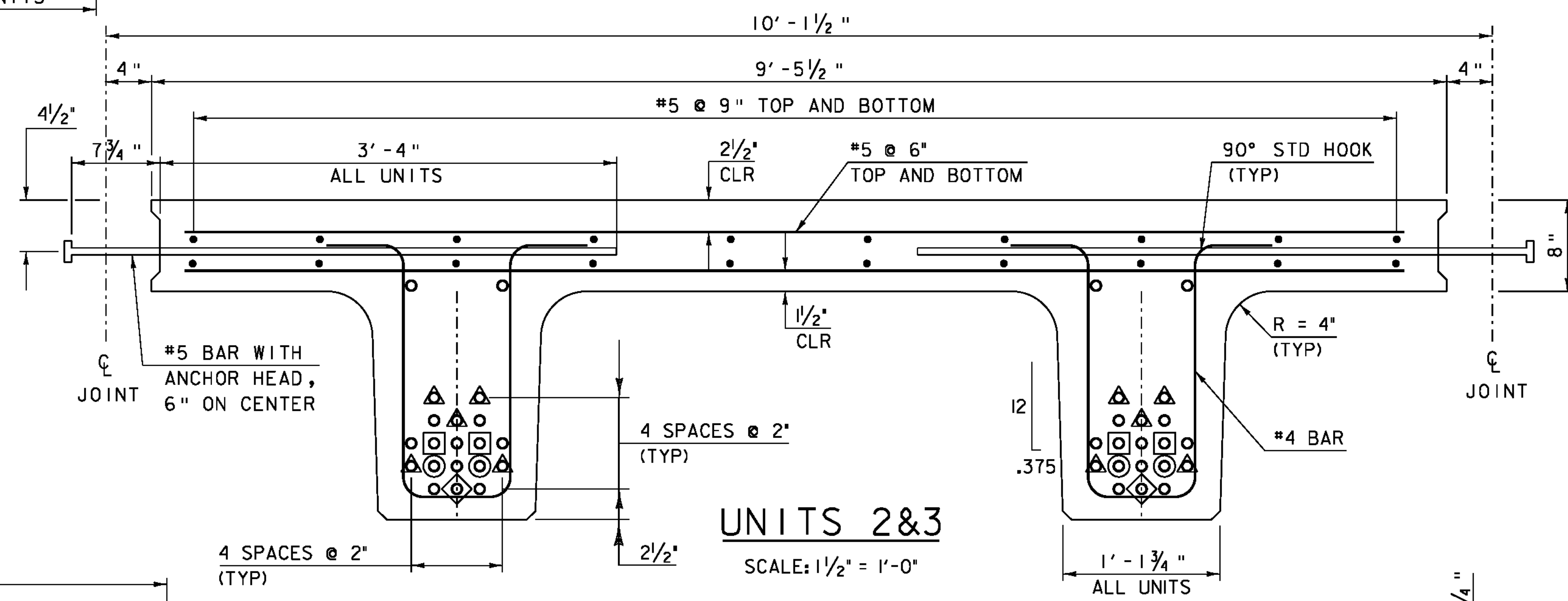


**END SECTION**  
 SCALE: 1 1/2" = 1'-0"

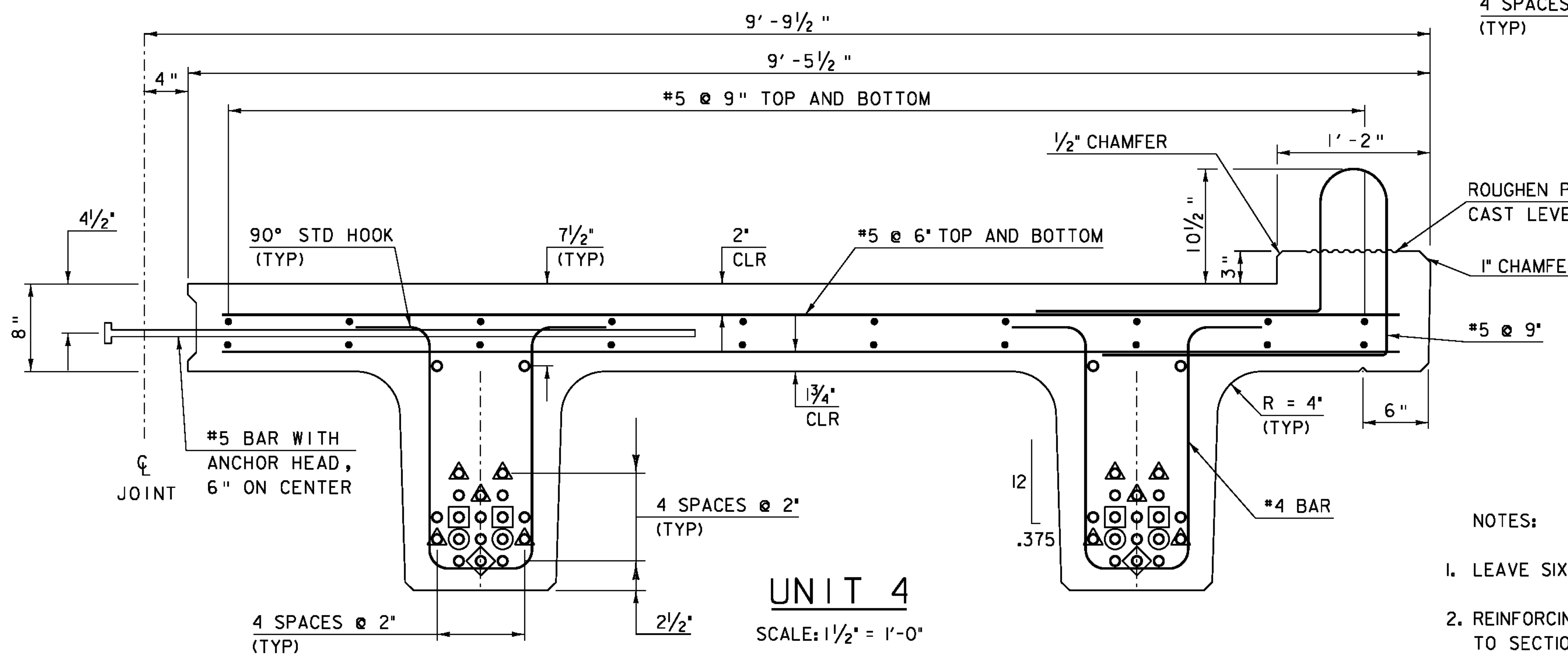
- ◇ - DEBONDED 12'
- - DEBONDED 8'
- - DEBONDED 4'
- △ - DEBONDED 6'



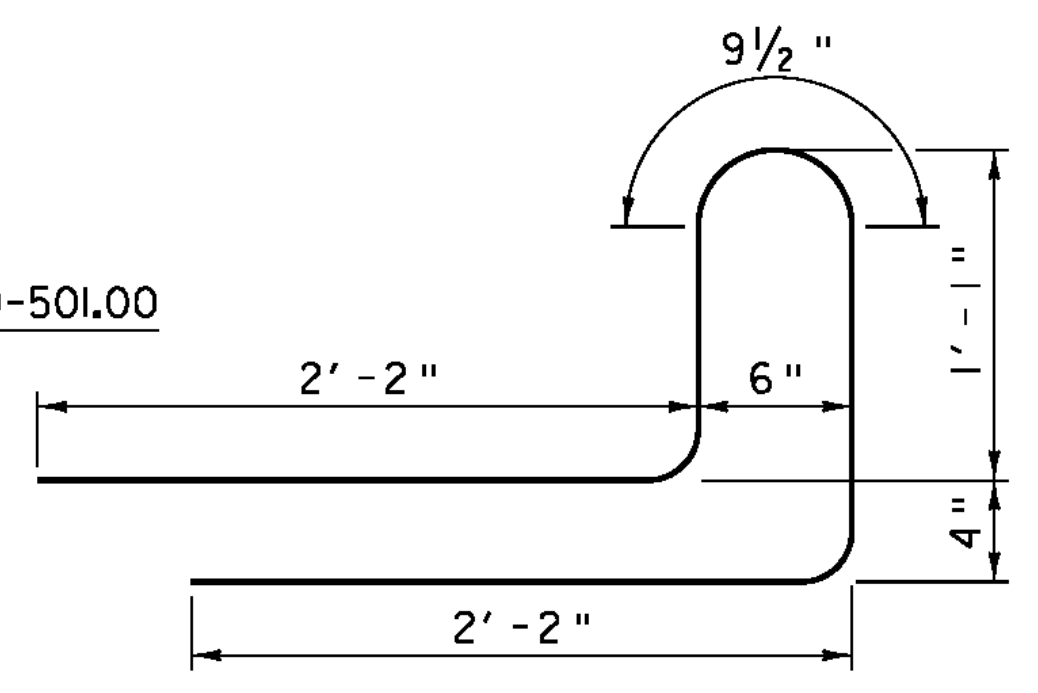
**LONGITUDINAL SECTION**  
 SCALE: 1 1/2" = 1'-0"



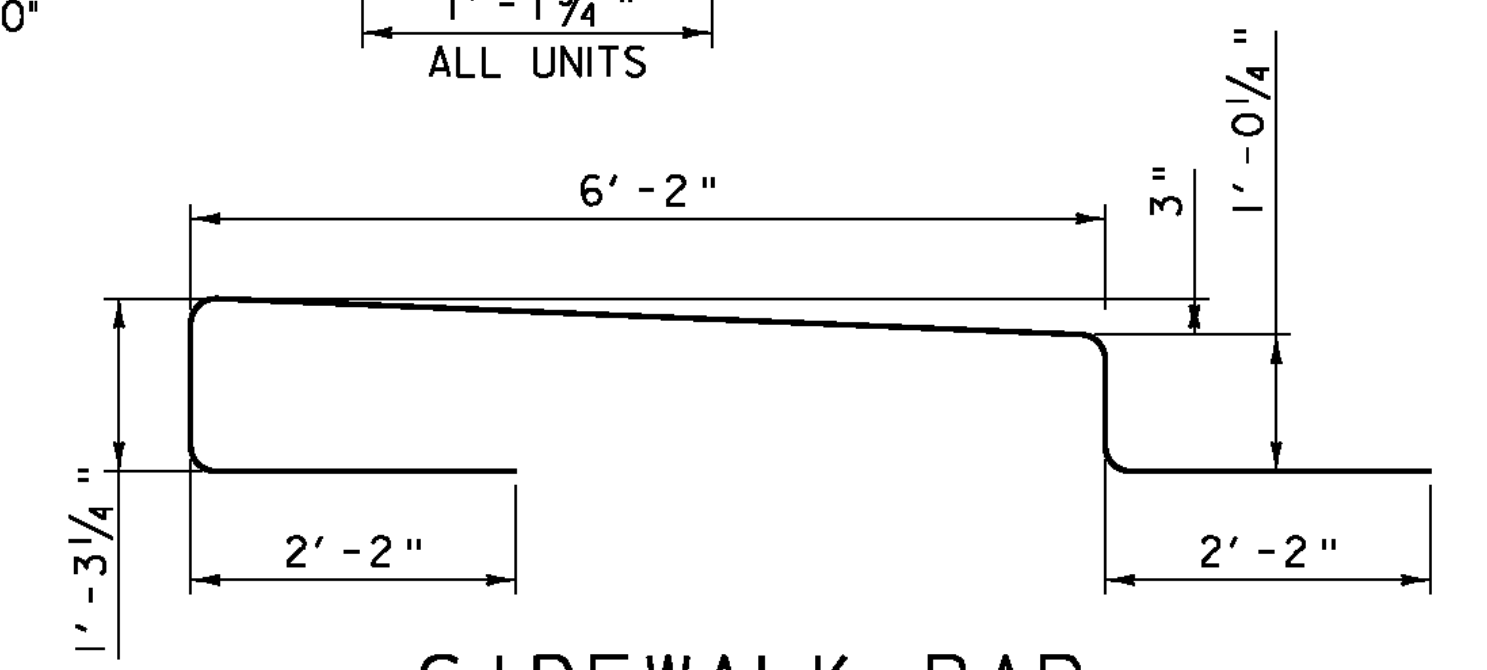
**UNITS 2 & 3**  
 SCALE: 1 1/2" = 1'-0"



**UNIT 4**  
 SCALE: 1 1/2" = 1'-0"



**RAILING BAR**  
 SCALE: 1 1/2" = 1'-0"



**SIDEWALK BAR**  
 SCALE: 3/4" = 1'-0"

- NOTES:
- LEAVE SIX STRANDS 1'-6" LONG AS SHOWN ON SHEET 30
  - REINFORCING STEEL SHALL BE EPOXY COATED ACCORDING TO SECTION 713.07.



PROJECT NAME: CHESTER	PLOT DATE: 20-SEP-2010
PROJECT NUMBER: BRF 025-1(28)	DRAWN BY: M.FESSEL
FILE NAME: 84e061/Str/84e061sup.dgn	CHECKED BY: R.S.YOUNG
PROJECT LEADER: C.P.WILLIAMS	DESIGNED BY: R.S.YOUNG
BRIDGE 8 NEXT BEAM TYPICAL SECTIONS	SHEET 29 OF 124