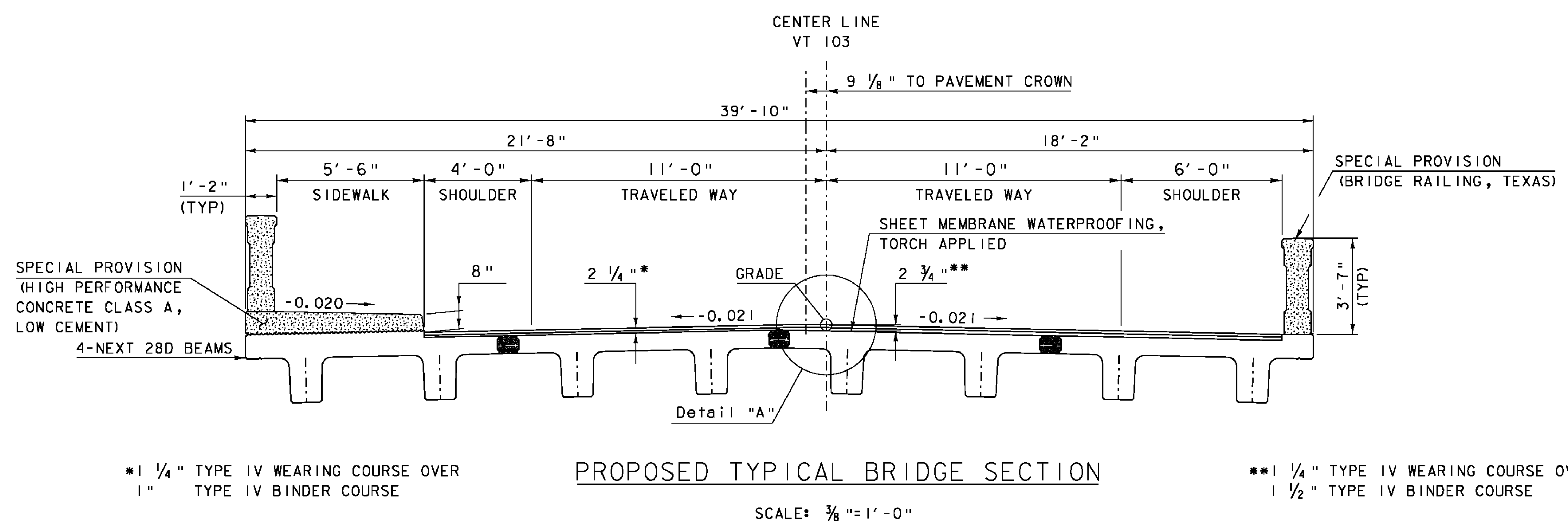


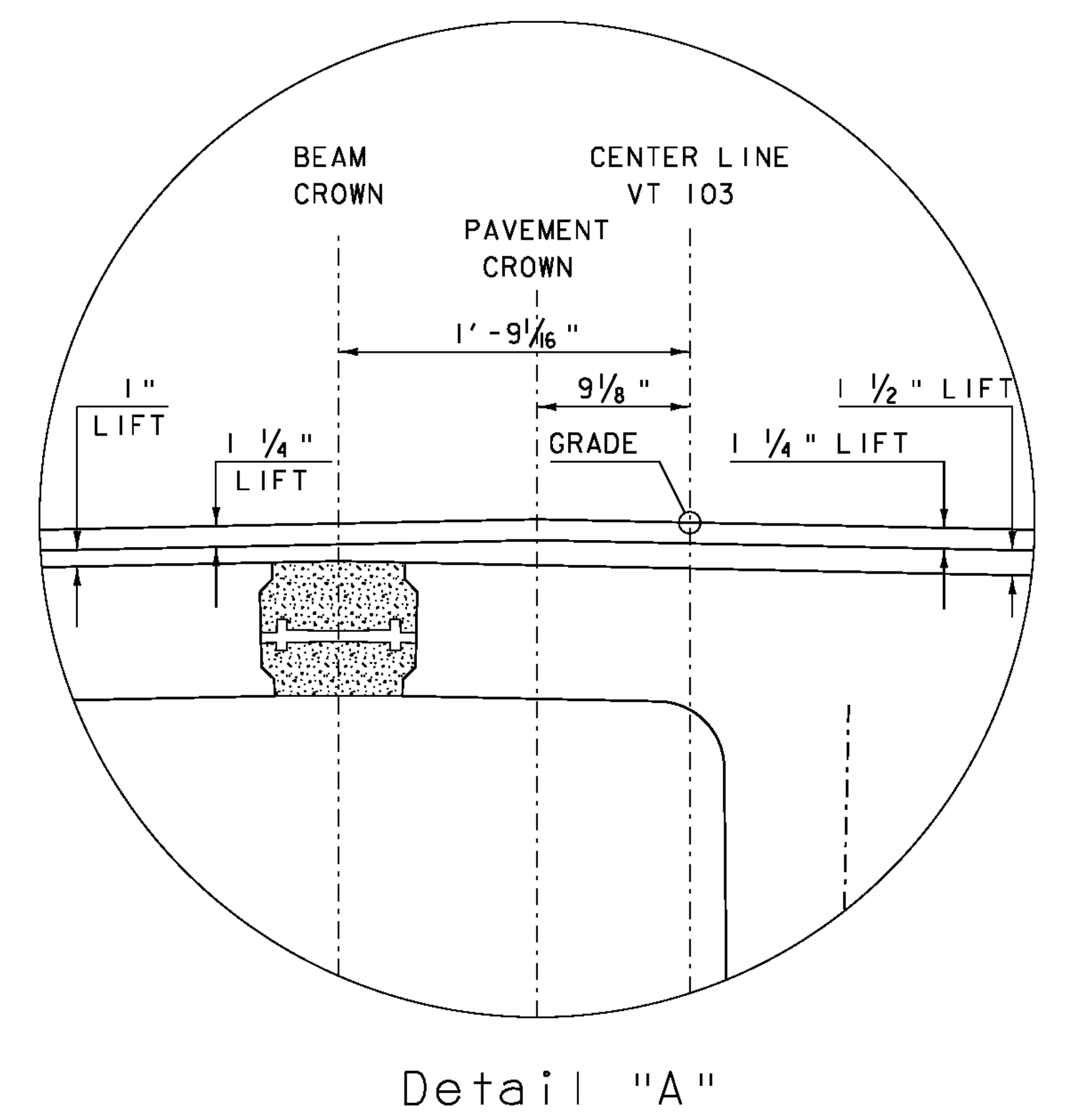
*1 1/4" TYPE IV WEARING COURSE OVER
 1 1/4" TYPE IV BINDER COURSE OVER
 2 1/2" TYPE II BASE COURSE OVER
 2 1/2" TYPE II BASE COURSE

NOTE:
 PAVEMENT SHALL BE A MARSHALL MIX PAID
 FOR UNDER THE ITEM 406.25, "BITUMINOUS CONCRETE PAVEMENT".



*1 1/4" TYPE IV WEARING COURSE OVER
 1" TYPE IV BINDER COURSE

**1 1/4" TYPE IV WEARING COURSE OVER
 1 1/2" TYPE IV BINDER COURSE



MATERIAL TOLERANCES
 (IF USED ON PROJECT)

SURFACE	
- PAVEMENT (TOTAL THICKNESS)	+/- 1/4"
- AGGREGATE SURFACE COURSE	+/- 1/2"
SUBBASE	+/- 1"
SAND BORROW	+/- 1"

SCALE 3/8" = 1'-0"
 1 0 1 2 3 4

PROJECT NAME: CHESTER
 PROJECT NUMBER: BRF 025-1(28)
 FILE NAME: 84e061/Str/typ.dgn
 PROJECT LEADER: C.P.WILLIAMS
 DESIGNED BY: R.S.YOUNG
 BRIDGE 8 TYPICAL SECTIONS
 PLOT DATE: 20-SEP-2010
 DRAWN BY: M.FESSEL
 CHECKED BY: R.S.YOUNG
 SHEET 15 OF 124