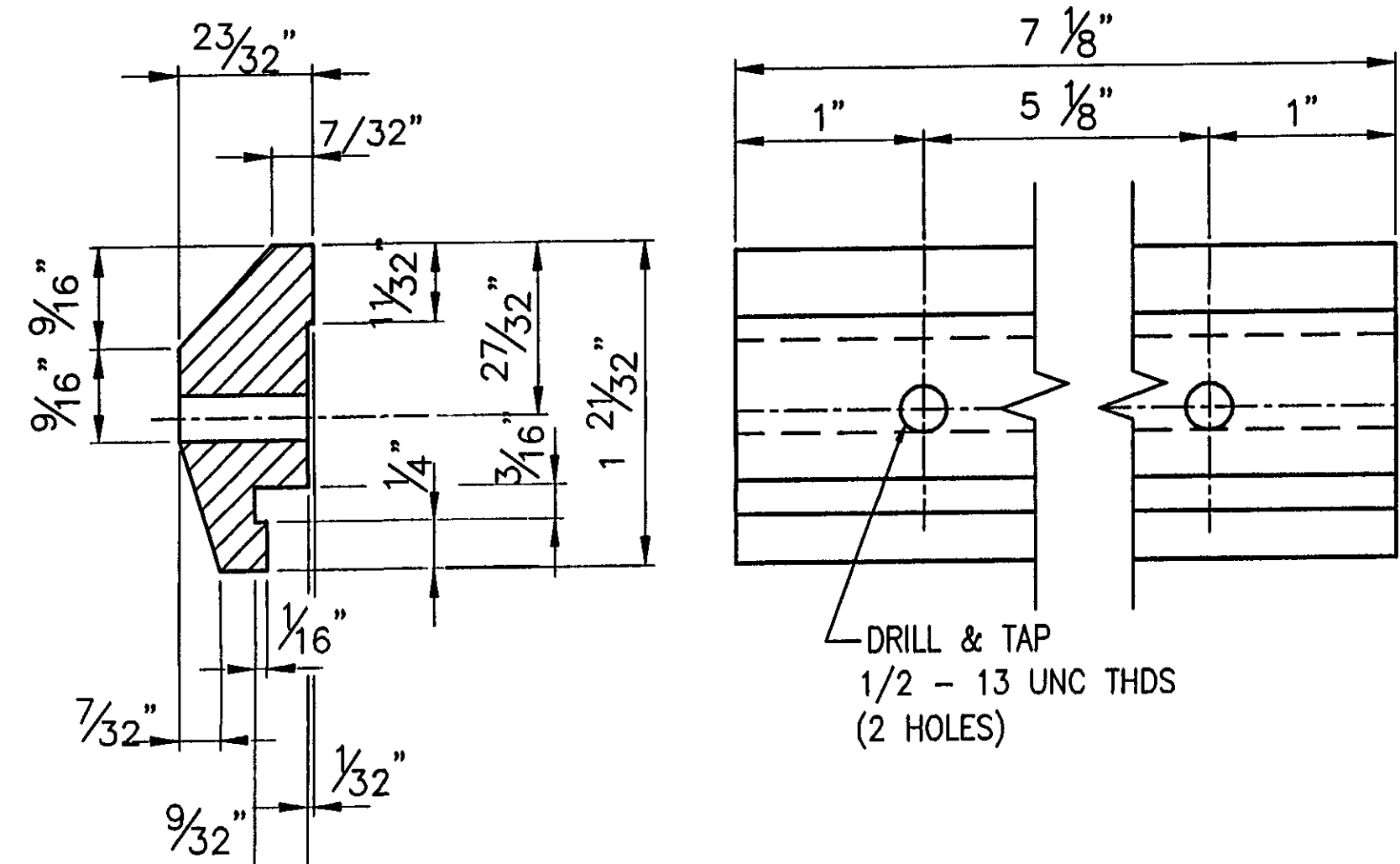
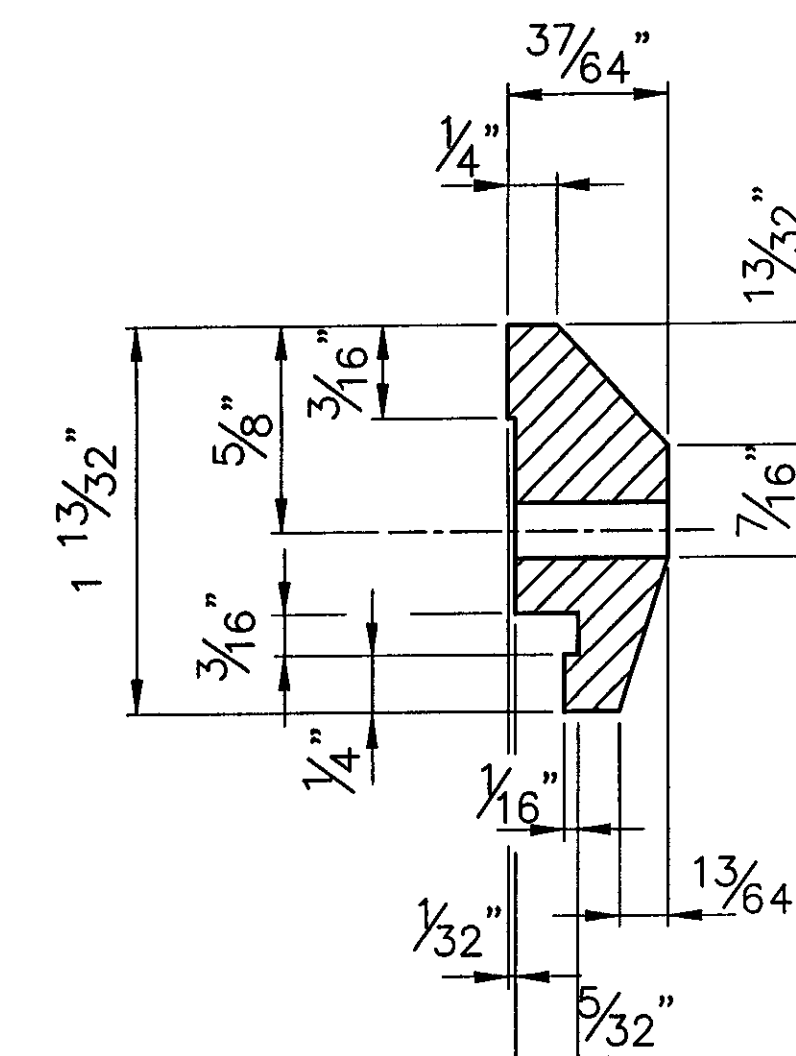


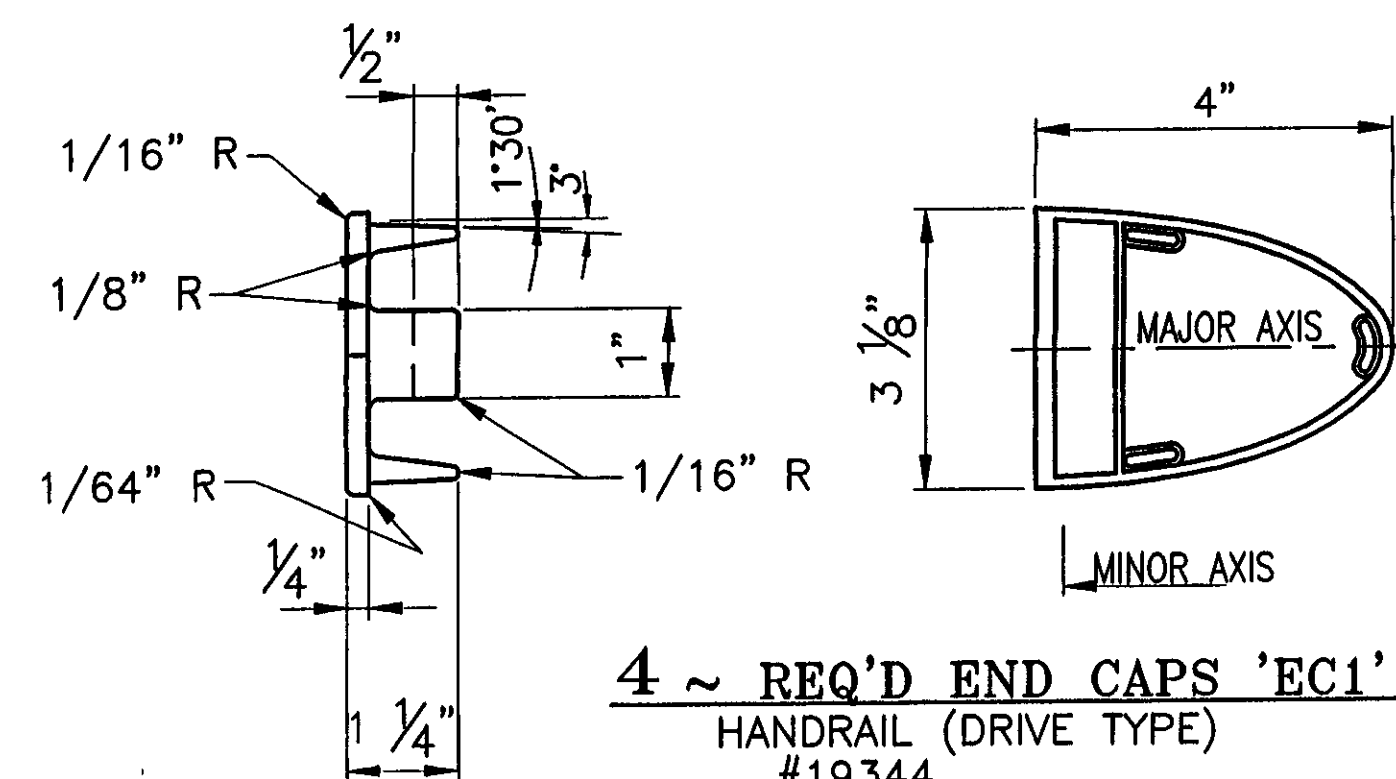
8 ~ REQ'D. ALUM
END CAPS EC2
#19345



216 ~ REQ'D CLAMP
BAR CB-03-A
(BARRIER RAIL - 4 PER POST)
#19447



80 ~ REQ'D CLAMP
BAR CB-01-H
(HANDRAIL - 2 PER POST)



4 ~ REQ'D END CAPS 'EC1'
HANDRAIL (DRIVE TYPE)
#19344

ANODIZED
(SEE NOTES ON LB1)

RECEIVED
OK'D BY CLD OK'D BY GAS
AUG 03 2007
RESUBMIT
BY KMH DATED 8/13/07

BRIDGE No 37
PROJECT No BRF 030-2(17)S
ITEM No 621.74

APPROVED: _____ REC'D APPROVAL _____
DRAWING _____

L.B. FOSTER COMPANY
1016 GREENTREE ROAD
PITTSBURGH, PENNSYLVANIA 15220

FOR: E. R. LAFAYETTE, INCORPORATED
VERMONT AGENCY OF TRANSPORTATION

TOWN OF JOHNSON, COUNTY OF LAMOILLE
BRIDGE RAILING FOR VT15 (MINOR ARTERIAL) OVER GHON RIVER
3L ALUMINUM APPROACH RAIL ~ MISC DETAILS

MADE CMS DATE 05/24/07 JOB No AR0395 CUST No
CHECK BLJ DATE 06/01/07 DRAWING LB16 (LAST) REV. No.

REV	DESCRIPTION	BY	DATE