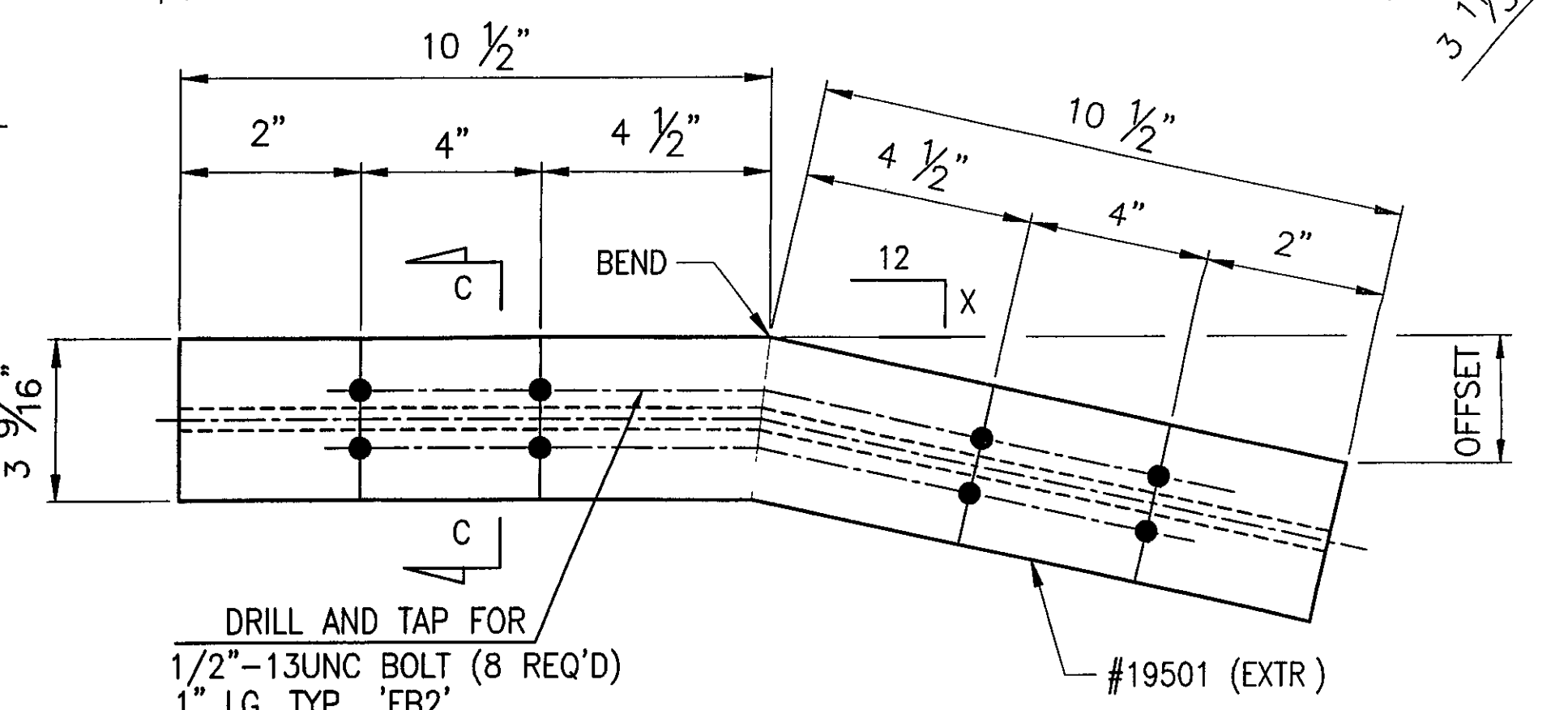
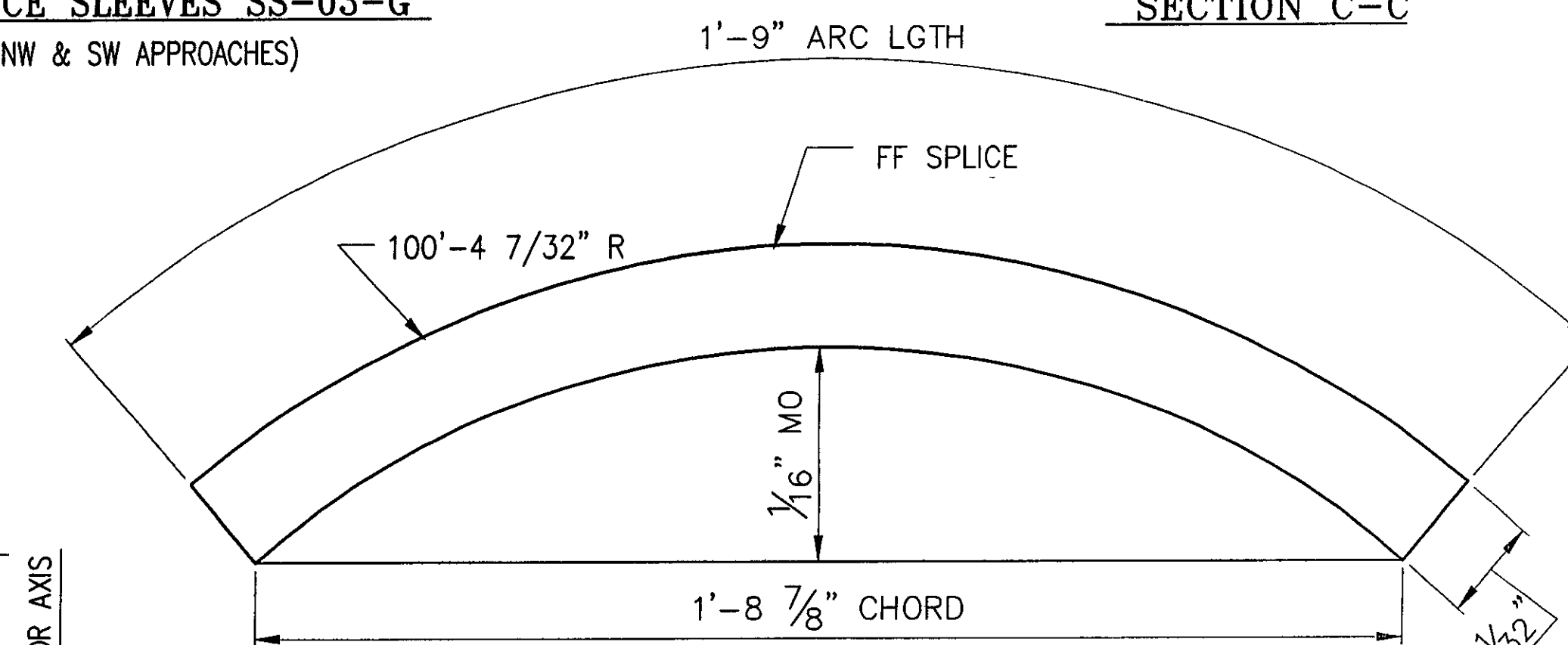
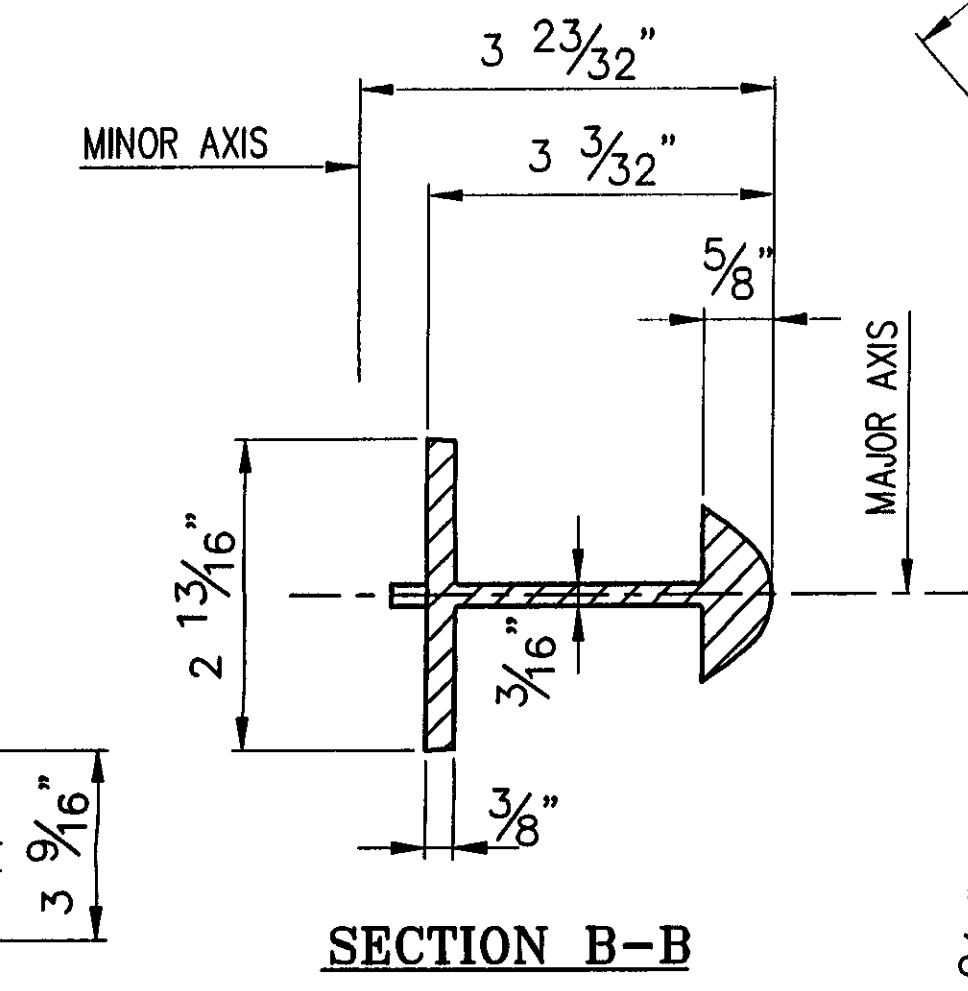
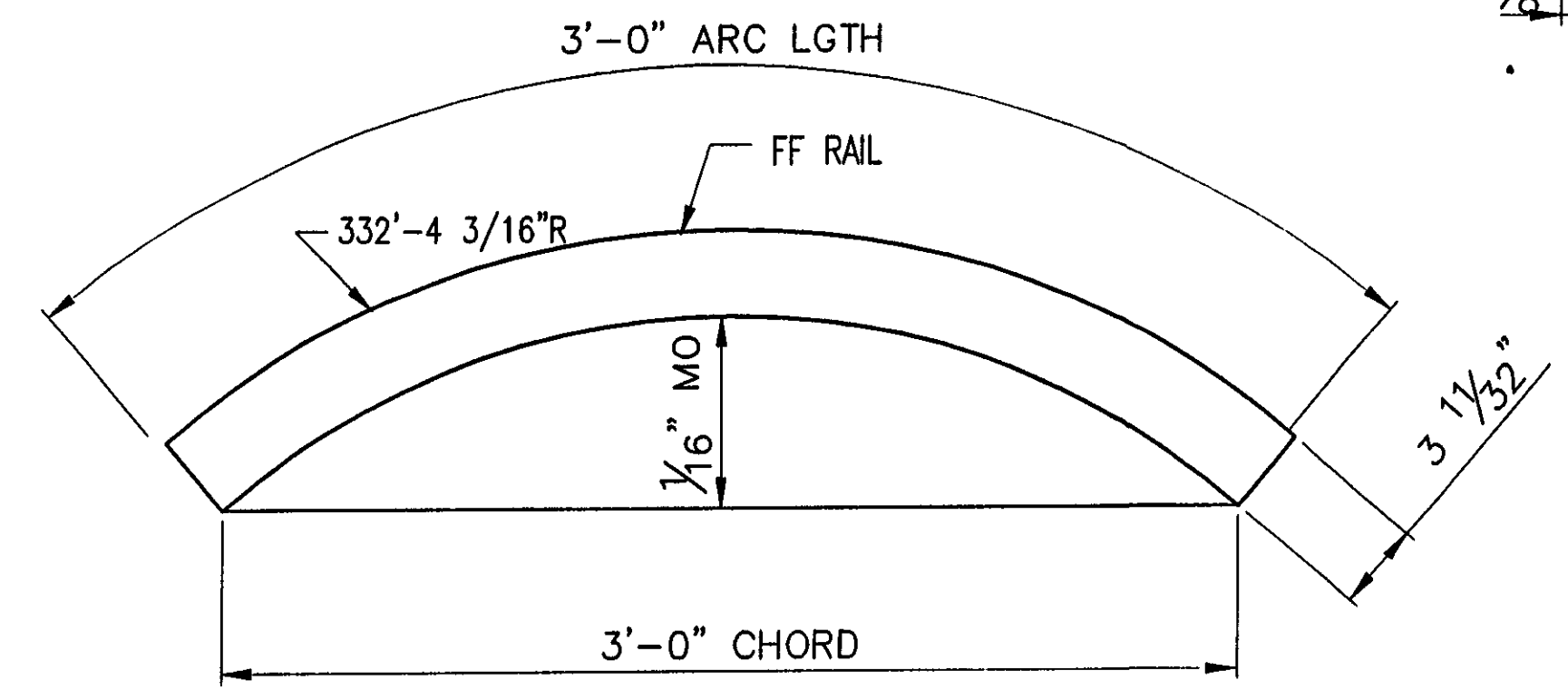
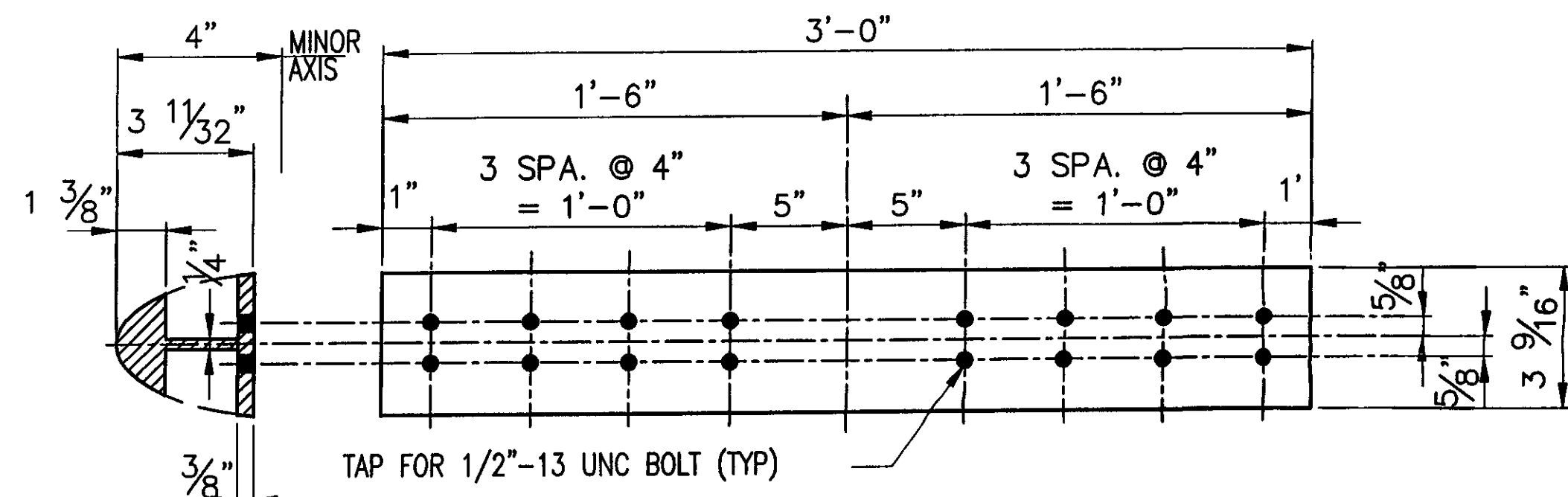
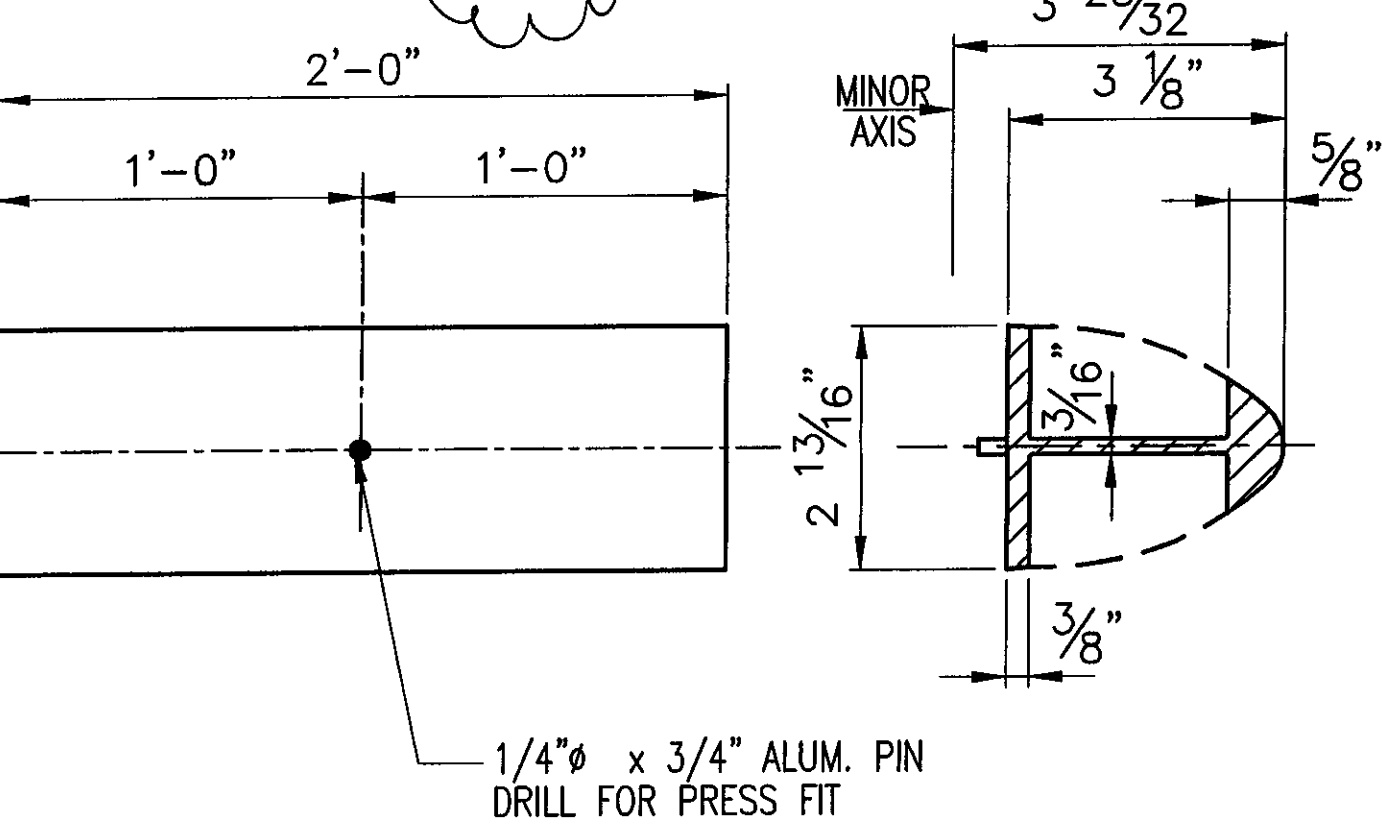


HANDRAIL SPLICES				
MK.	X	QTY.	OFFSET	LOCATION
SS-12-A1	5/8"	1	5/8"	SE APPROACH
SS-12-A2	1"	1	1"	NE APPROACH

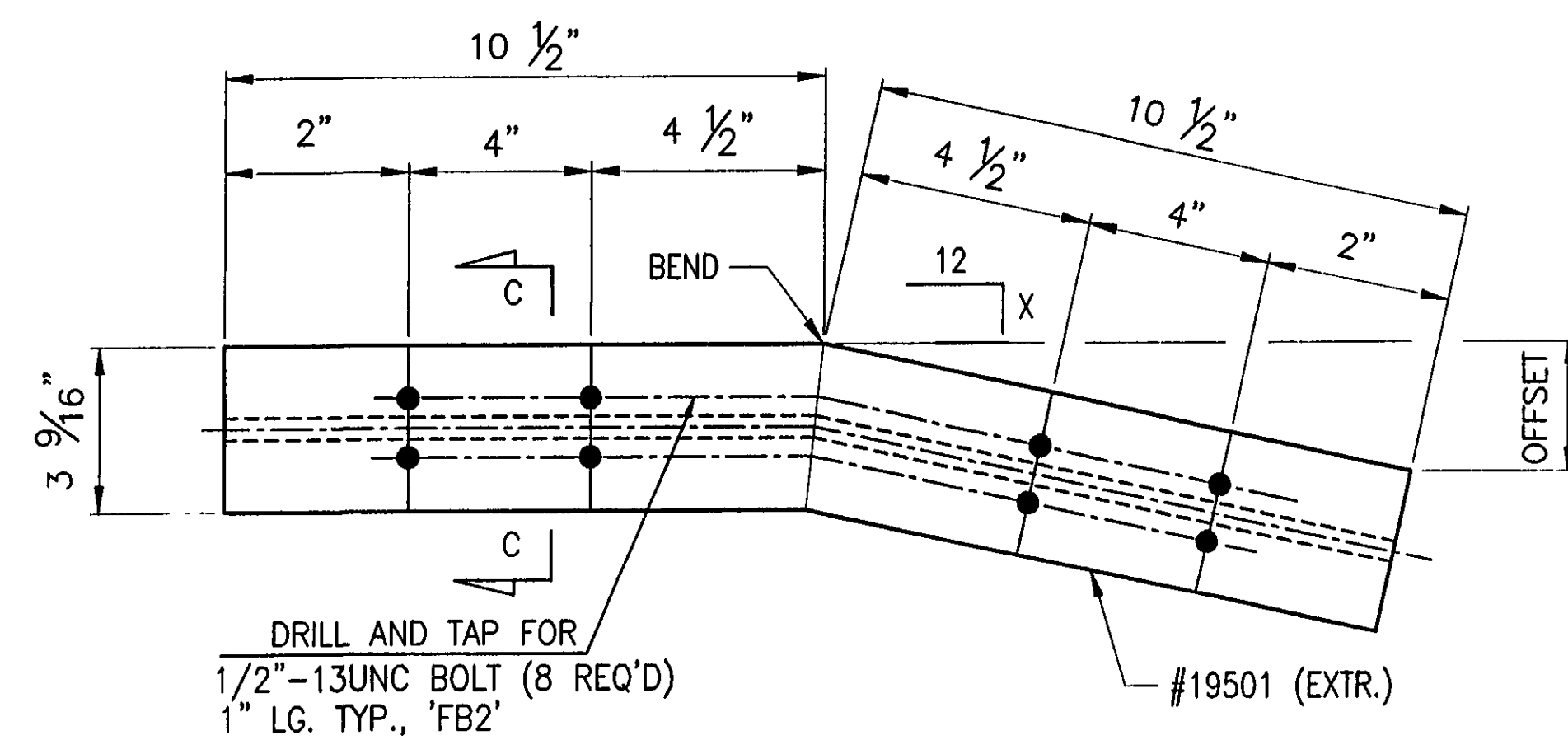
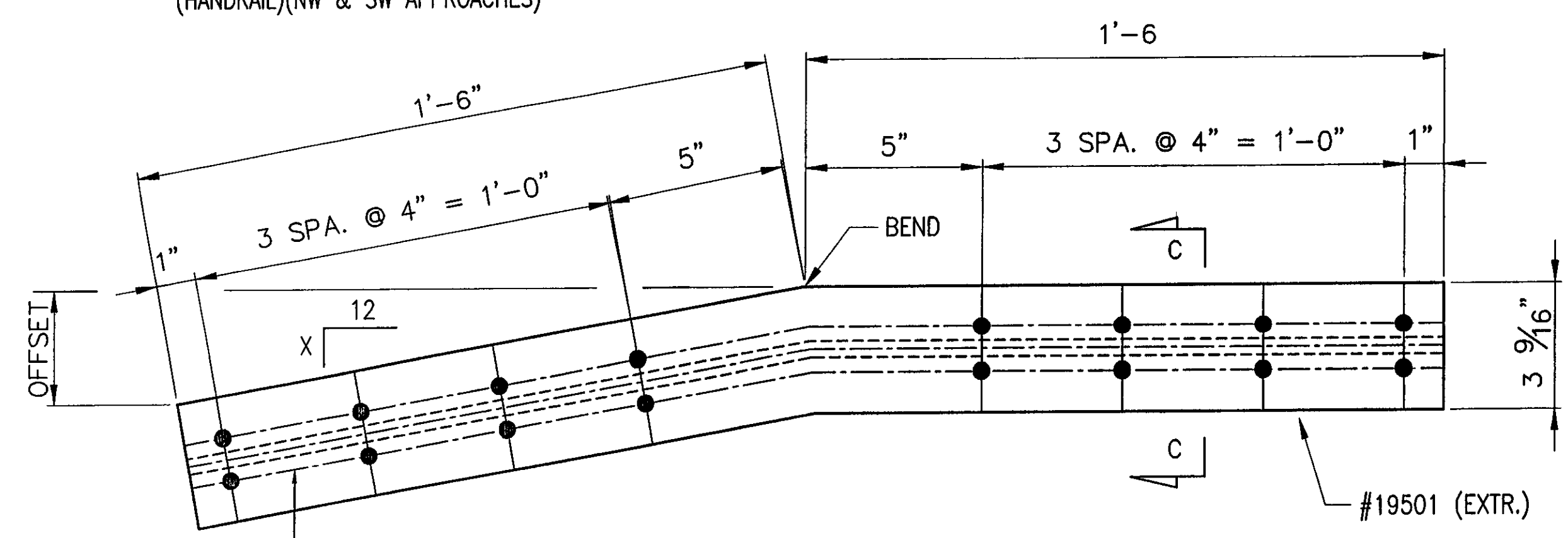


BARRIER RAIL SPLICES				
MK.	X	QTY.	OFFSET	LOCATION
SS-03-H3	1/8"	1	1/8"	SE APPROACH
SS-03-H4	1/16"	1	1/16"	SE APPROACH



7 ~ REQ'D SPLICE SLEEVES SS-12-A (HANDRAIL)(NW & SW APPROACHES)

2 ~ REQ'D BENT SPLICE SLEEVES SS-03-G8 (BARRIER RAIL)(SW APPROACH)



BARRIER RAIL SPLICES				
MK.	X	QTY.	OFFSET	LOCATION
SS-03-G2	5/16"	1	1/2"	NE APPROACH
SS-03-G5	1/8"	1	3/16"	SE APPROACH
SS-03-G6	1/16"	1	1/16"	SE APPROACH
SS-03-G7	1/2"	1	3/4"	NE APPROACH

BARRIER RAIL SPLICES				
MK.	X	QTY.	OFFSET	LOCATION
SS-03-H1	15/16"	1	13/16"	NE APPROACH
SS-03-H2	3/4"	1	11/16"	NE APPROACH

SPLICE WILL BE ROTATED 180° IN FIELD

RECEIVED
 CKB BY CLD OK'D BY GAS
 AUG 03 2007
 RESUBMIT APPROVED AS NOTED
 BY KMH DATE 8/13/07

BRIDGE No 37
 PROJECT No BRF 030-2(17)S
 ITEM No 621.74

APPROVED: _____
 REC'D APPROVAL _____
 DRAWING _____

L.B. FOSTER COMPANY
 1016 GREENTREE ROAD
 PITTSBURGH, PENNSYLVANIA 15220

FOR: F R LAFAYETTE, INCORPORATED
 VERMONT AGENCY OF TRANSPORTATION
 TOWN OF JOHNSON, COUNTY OF LAMOILLE
 BRIDGE RAILING FOR VT15 (MINOR ARTERIAL) OVER GHON RIVER
 3L ALUMINUM APPROACH ~ SPLICE DETAILS

MADE CMS DATE 05/29/07 JOB No AR0395 CUST No
 CHECK BLJ DATE 06/01/07 DRAWING LB15 REV. No. ONE

ANODIZED
 (SEE NOTES ON LB1)

REV	DESCRIPTION	BY	DATE
1	REVISED DIMENSIONS PER APPROVERS MARKUPS	CMS	07/24/07

DRILL AND TAP FOR 1/2"-13UNC BOLT (16 REQ'D) 'FB2'