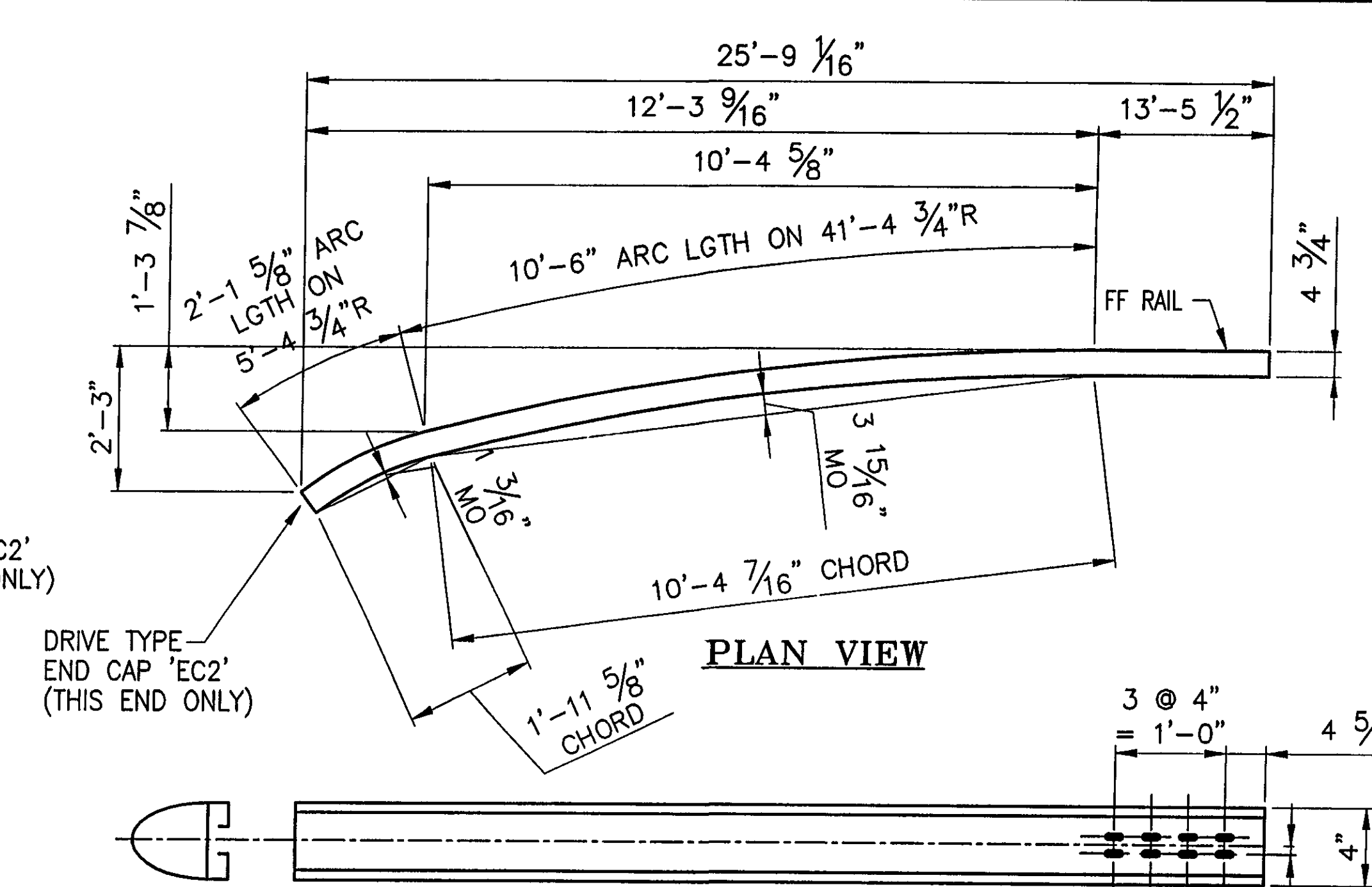


PLAN VIEW

2 REQ'D - BARRIER RAIL 'BA5' (FRT ELEVATION VIEW)

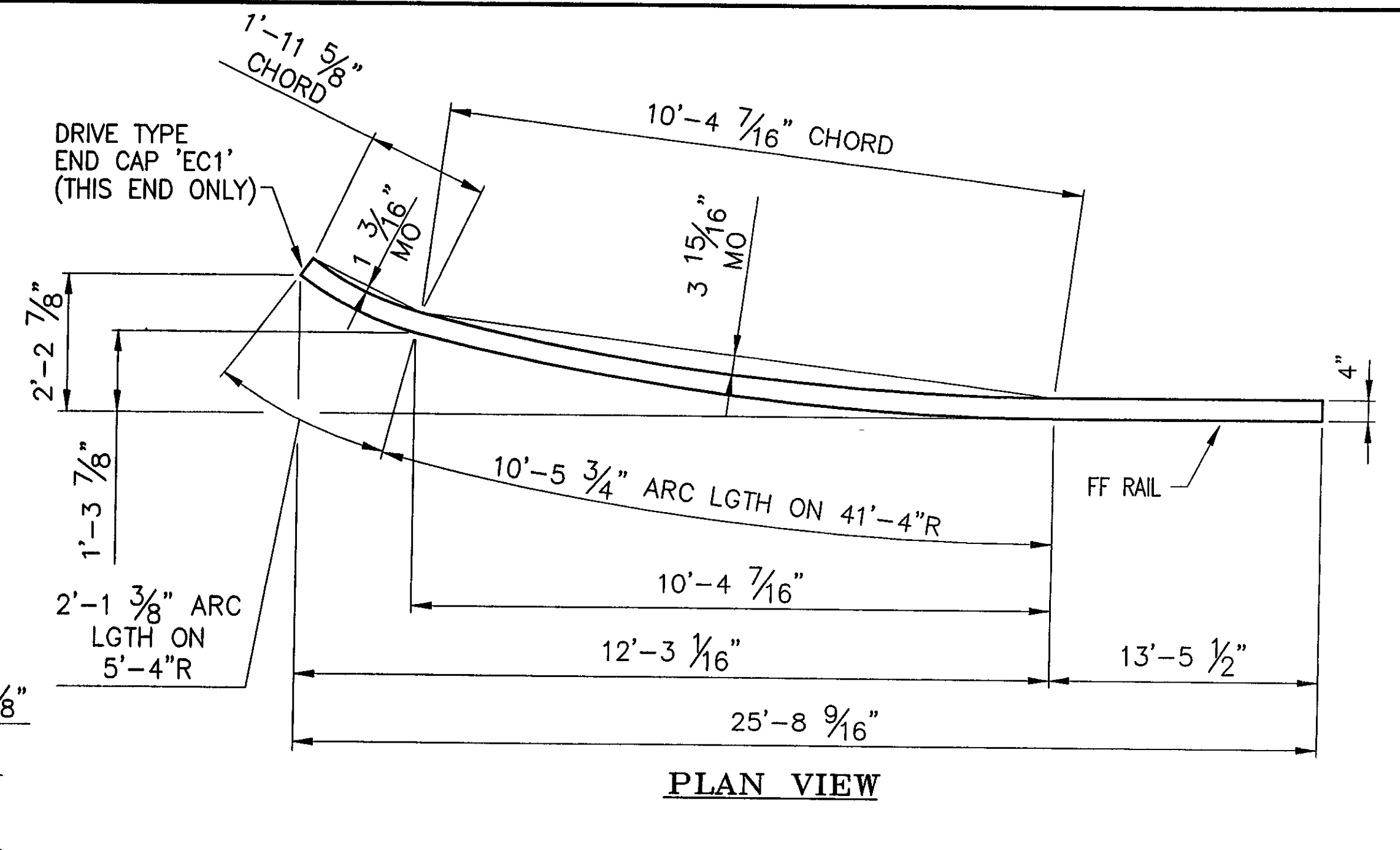
(LENGTH ALONG FF RAIL = 25'-10 3/8" + 2'-6" FOR BENDING (28'-4 3/8"))



PLAN VIEW

2 REQ'D - BARRIER 'BA7' (BACK ELEVATION VIEW)

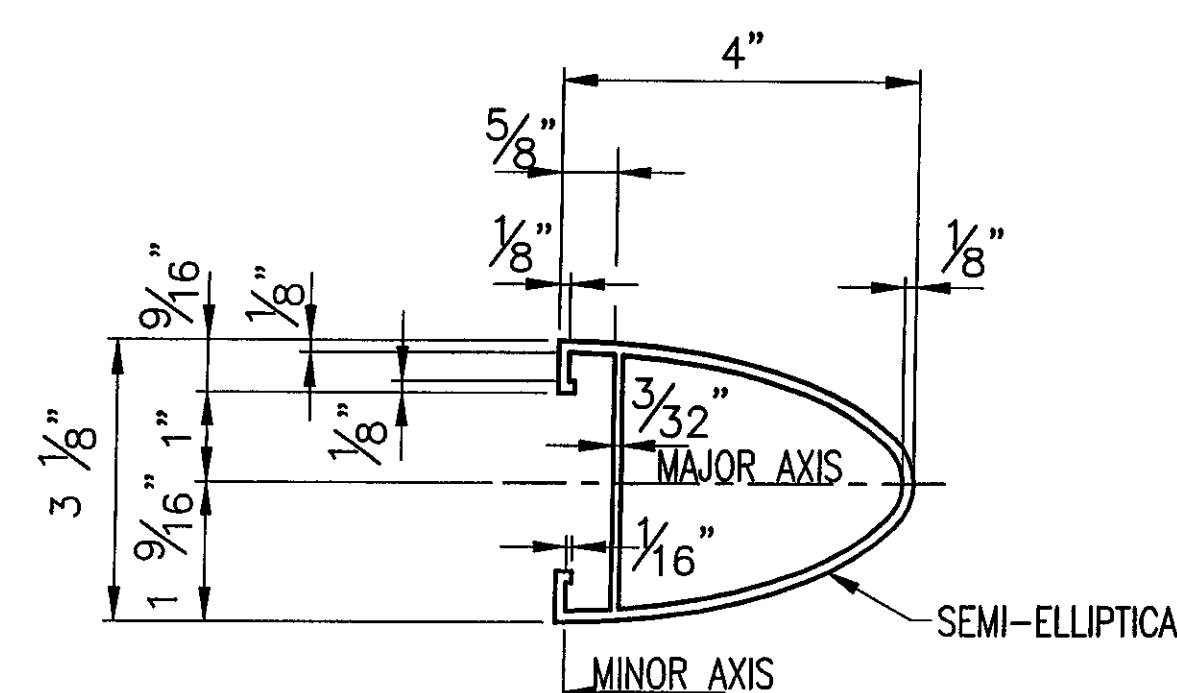
(LENGTH ALONG FF RAIL = 26'-1 1/8" + 5'-0" FOR BENDING (31'-1 1/8"))



PLAN VIEW

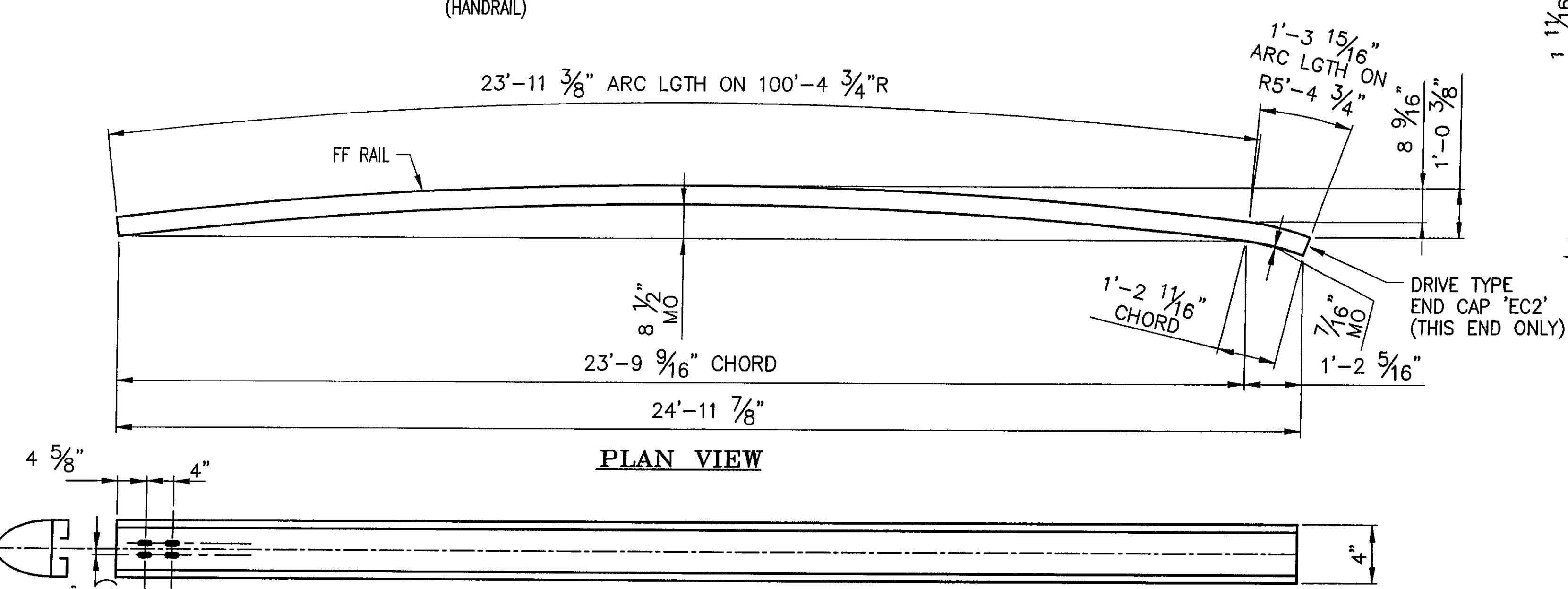
ONE REQ'D - HANDRAIL 'TA7' (FRT ELEVATION VIEW)

(LENGTH ALONG FF RAIL = 26'-0 5/8" + 2'-6" FOR BENDING (28'-6 5/8"))



TYPICAL SECTION (HANDRAIL)

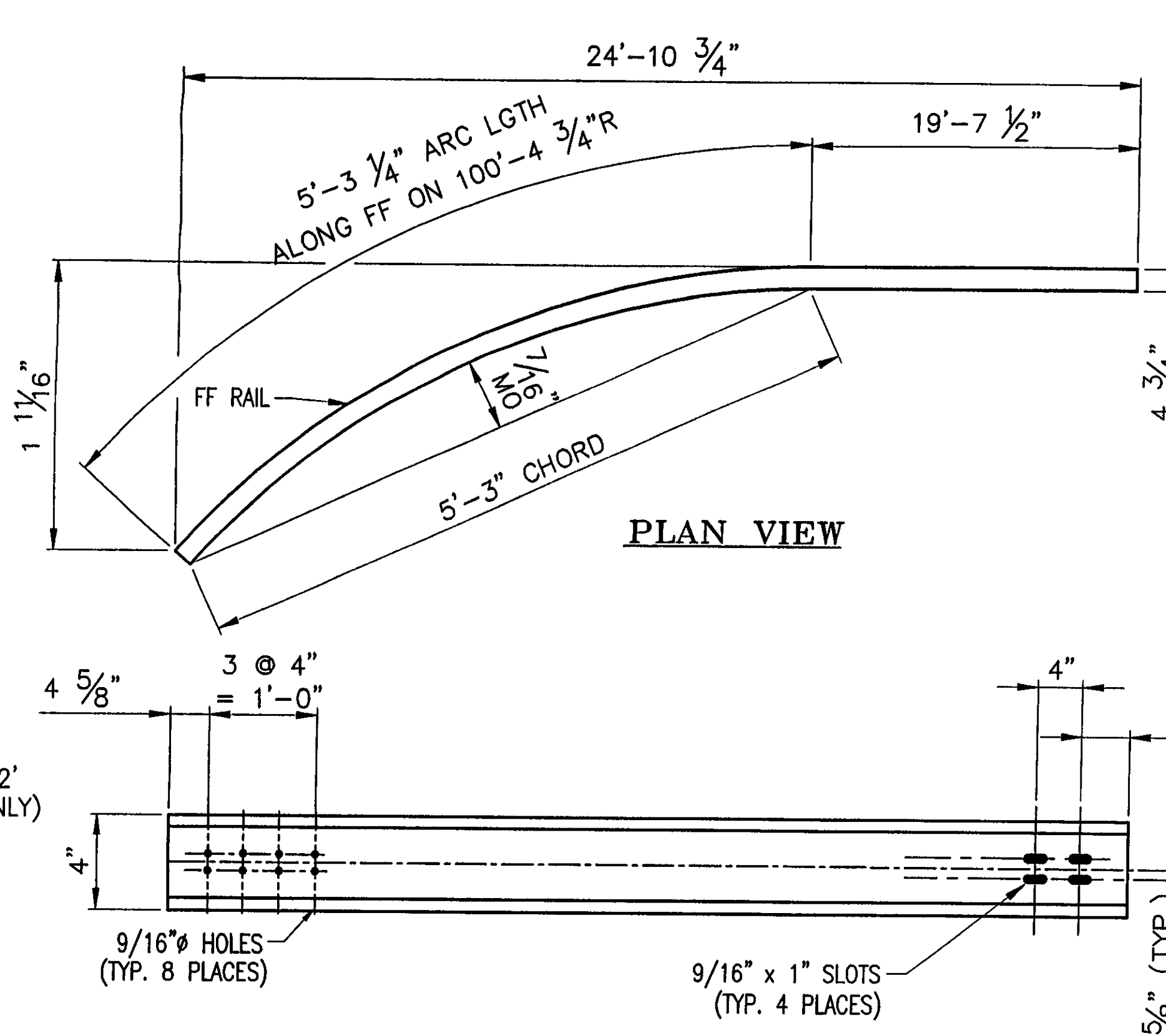
ANODIZED (SEE NOTES ON LB1)



PLAN VIEW

2 REQ'D - BARRIER RAIL 'BA6' (BACK ELEVATION VIEW)

(LENGTH ALONG FF RAIL = 25'-3 5/16" + 5'-0" FOR BENDING (30'-3 5/16"))



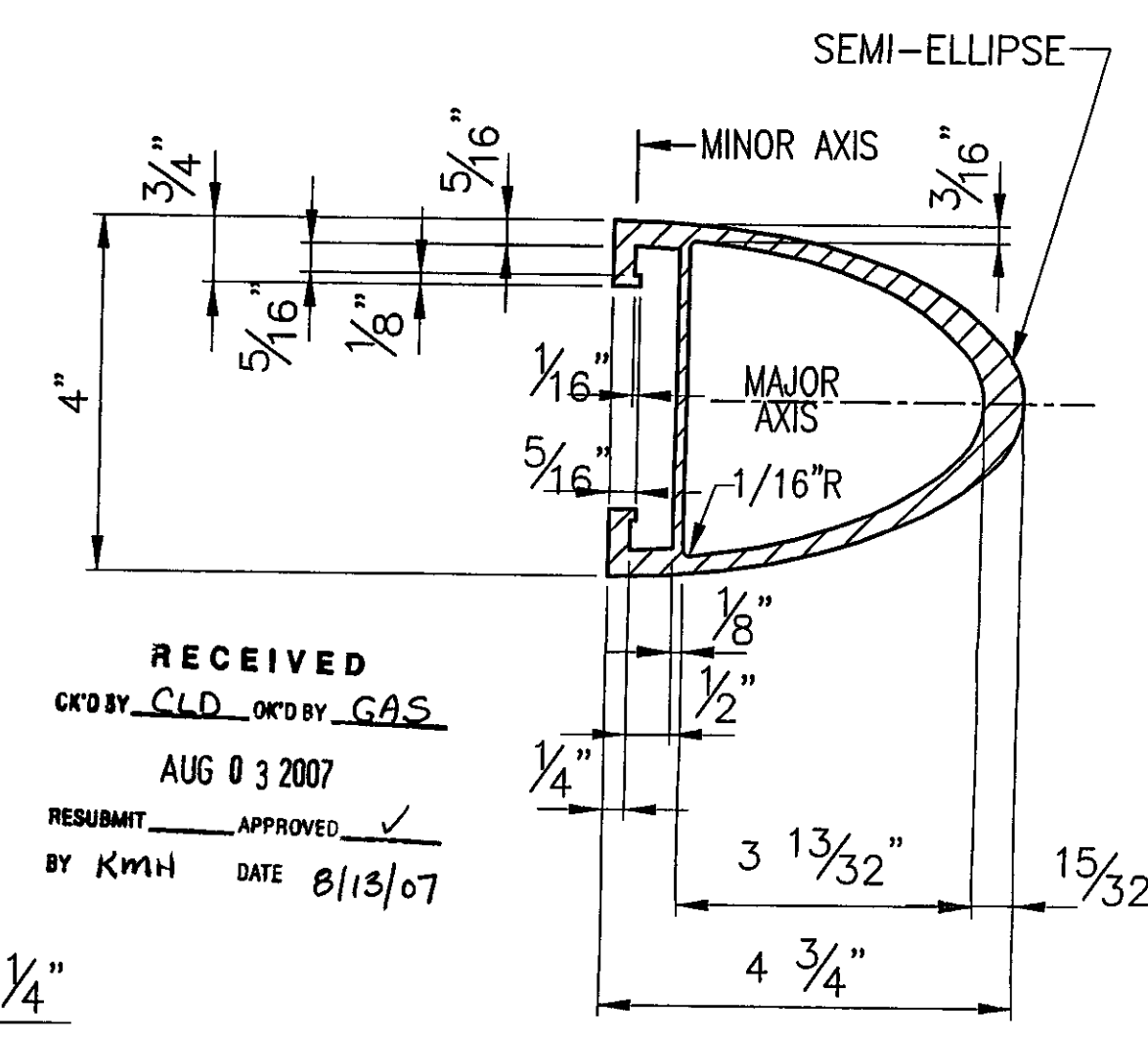
PLAN VIEW

ONE REQ'D - BARRIER RAIL 'MR2'

(BACK ELEVATION VIEW)(LENGTH ALONG FF RAIL = 24'-10 3/4" + 2'-6" (27'-4 3/4"))

ONE REQ'D - BARRIER RAIL 'BR2'

(BACK ELEVATION VIEW)(LENGTH ALONG FF RAIL = 24'-10 3/4" + 2'-6" (27'-4 3/4"))



TYPICAL SECTION (BARRIER RAIL)

RECEIVED
 CTD BY CLD OKD BY CAS
 AUG 03 2007
 RESUBMIT APPROVED
 BY KMH DATE 8/13/07

BRIDGE No. 37
 PROJECT No. BRF 030-2(17)S
 ITEM No. 621.74

APPROVED: _____ REC'D APPROVAL _____
 DRAWING

L.B. FOSTER COMPANY
 1016 GREENTREE ROAD
 PITTSBURGH, PENNSYLVANIA 15220

FOR: F. R. LAFAYETTE, INCORPORATED
 VERMONT AGENCY OF TRANSPORTATION
 TOWN OF JOHNSON, COUNTY OF LAMOILLE
 BRIDGE RAILING FOR VT15 (MINOR ARTERIAL) OVER GIRON RIVER
 3L ALUMINUM APPROACH RAIL - RAIL DETAILS

MADE CMS DATE 05/24/07 JOB No ARO395 CUST No
 CHECK BLJ DATE 06/01/07 DRAWING LB13 REV. No. ONE

REV	DESCRIPTION	BY	DATE
1	REVISED PER RAMP NE ELEV CHANGES	CMS	08 01 07