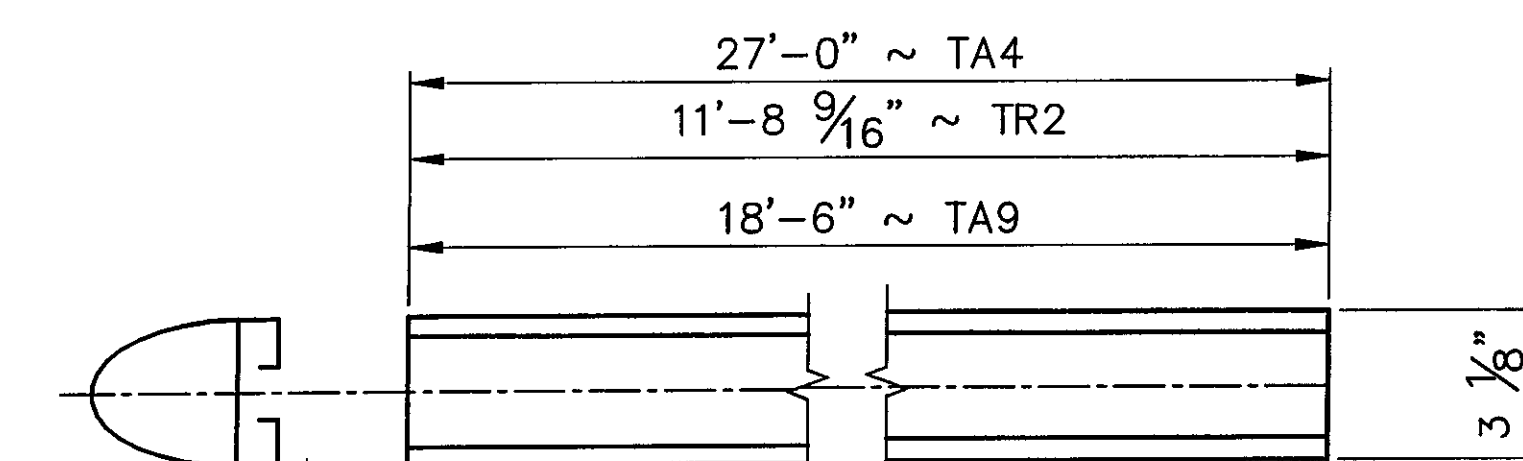


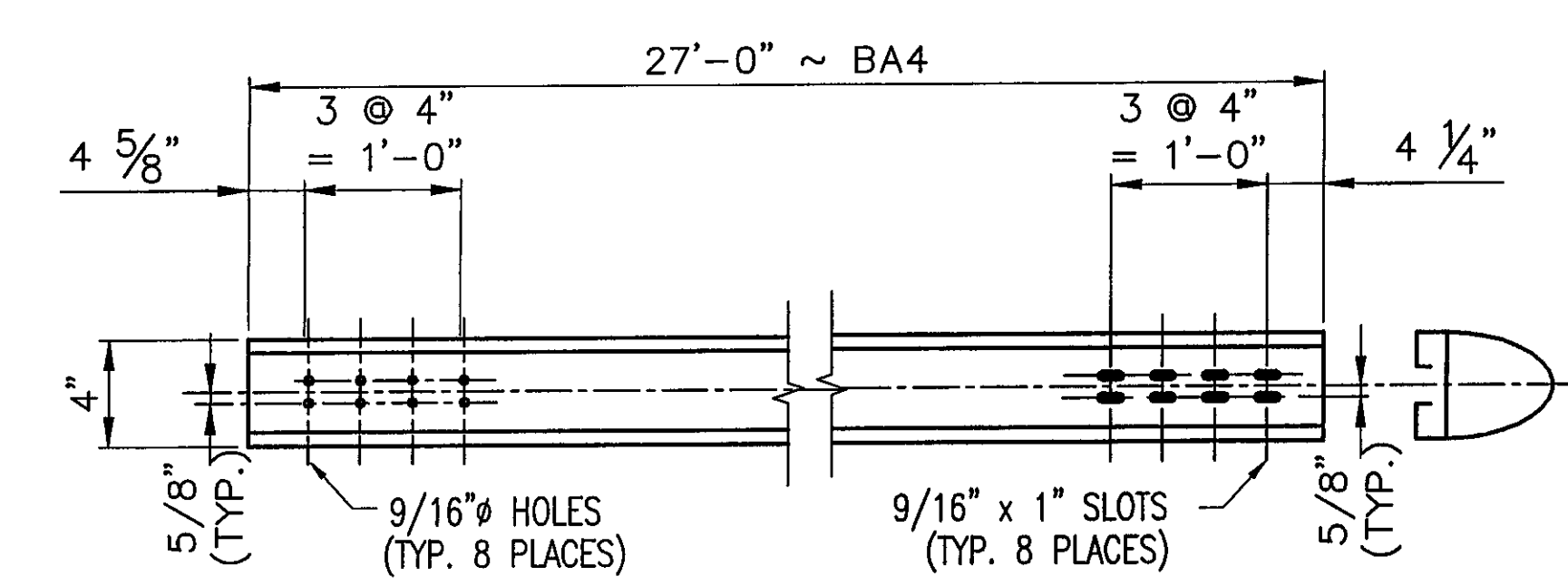
**ONE REQ'D - HANDRAIL 'TA8'**  
(FRT ELEVATION VIEW)  
(LENGTH ALONG FF RAIL = 25'-0 1/4" + 2'-6" FOR BENDING (27'-6 1/4"))



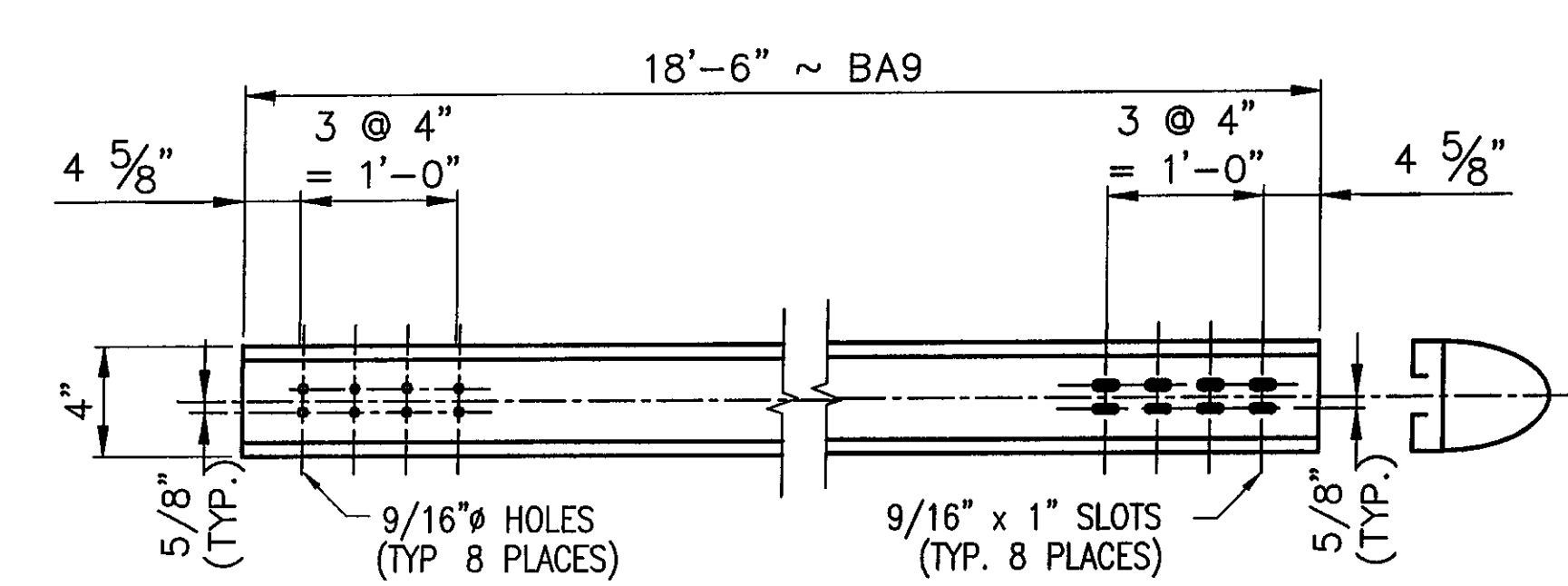
**2 REQ'D - HANDRAIL 'TA4'**  
(BACK ELEVATION VIEW)

**2 REQ'D - HANDRAIL 'TA9'**  
(BACK ELEVATION VIEW)

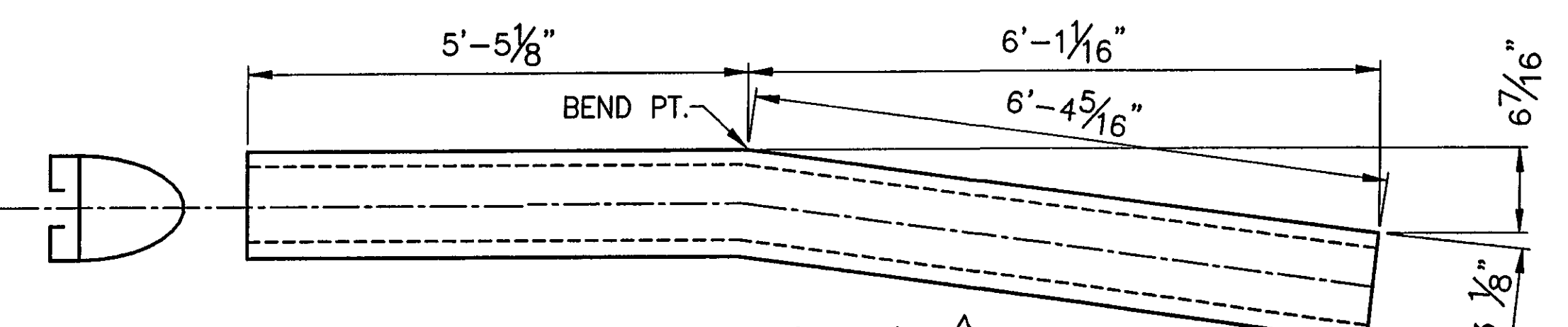
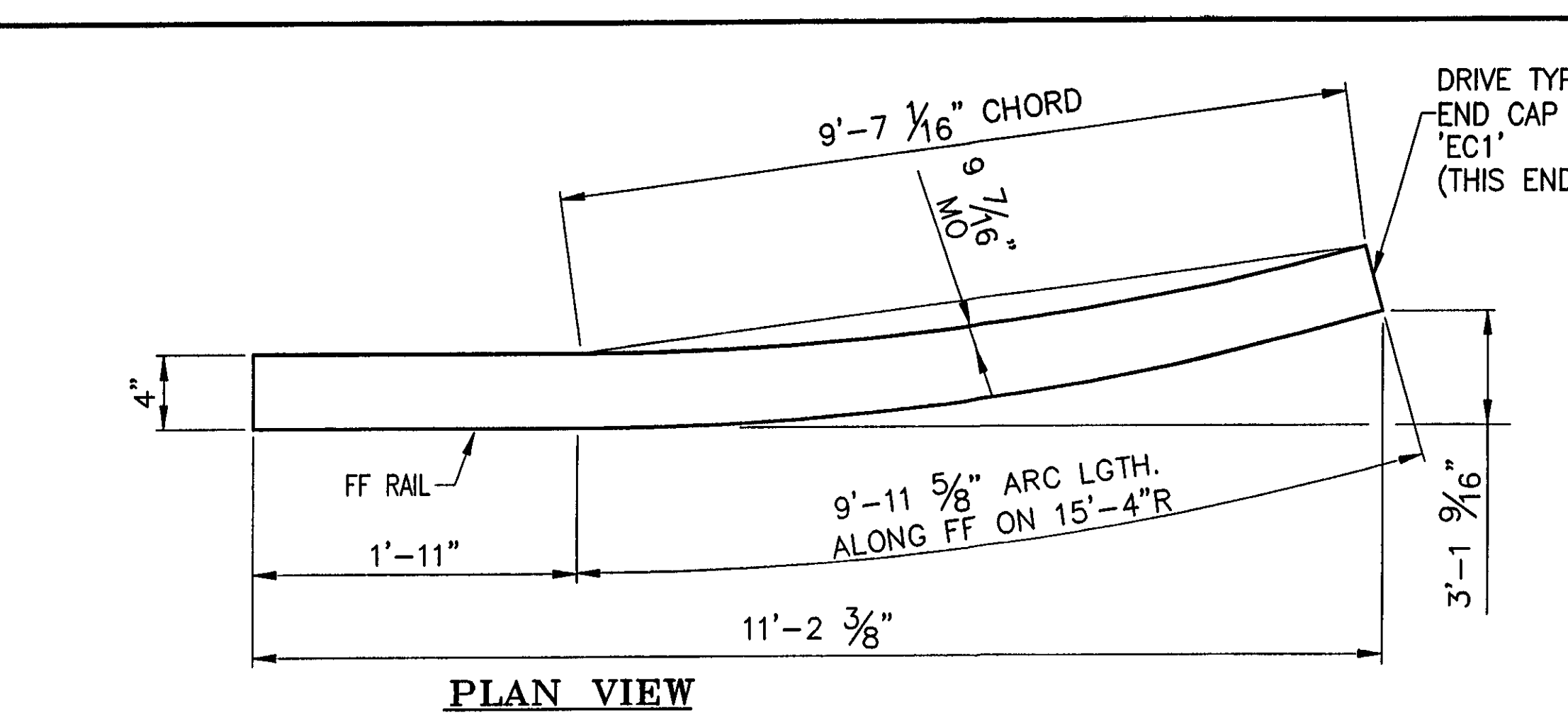
**ONE REQ'D - HANDRAIL 'TR2'**  
(BACK ELEVATION VIEW)



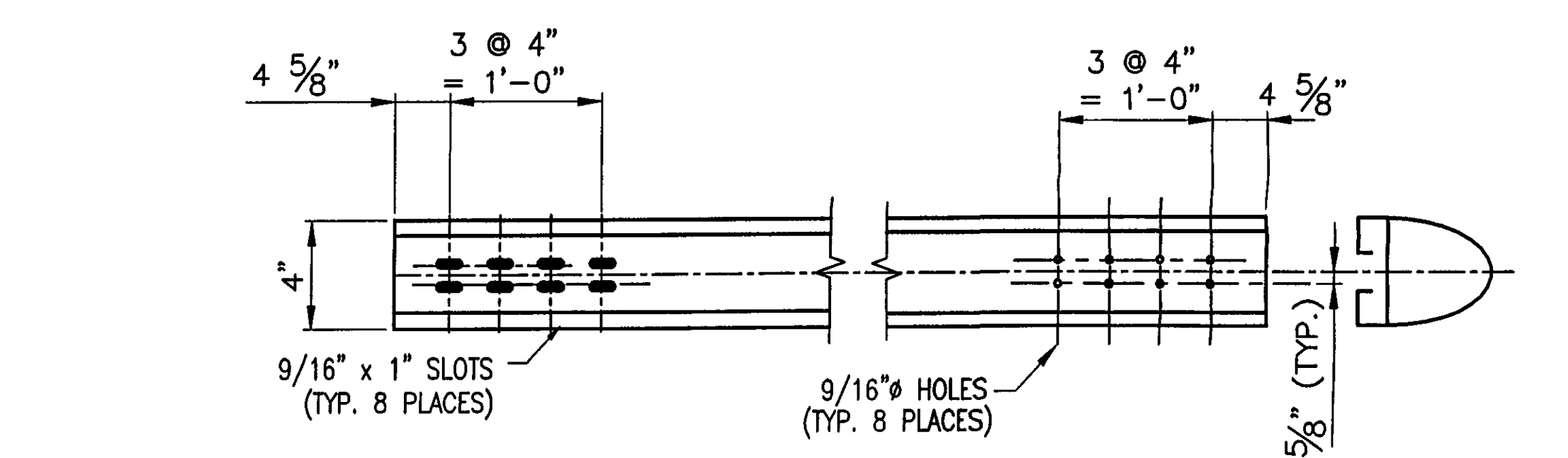
**4 REQ'D. ~ RAIL 'BA4'**  
(BACK ELEVATION VIEW)



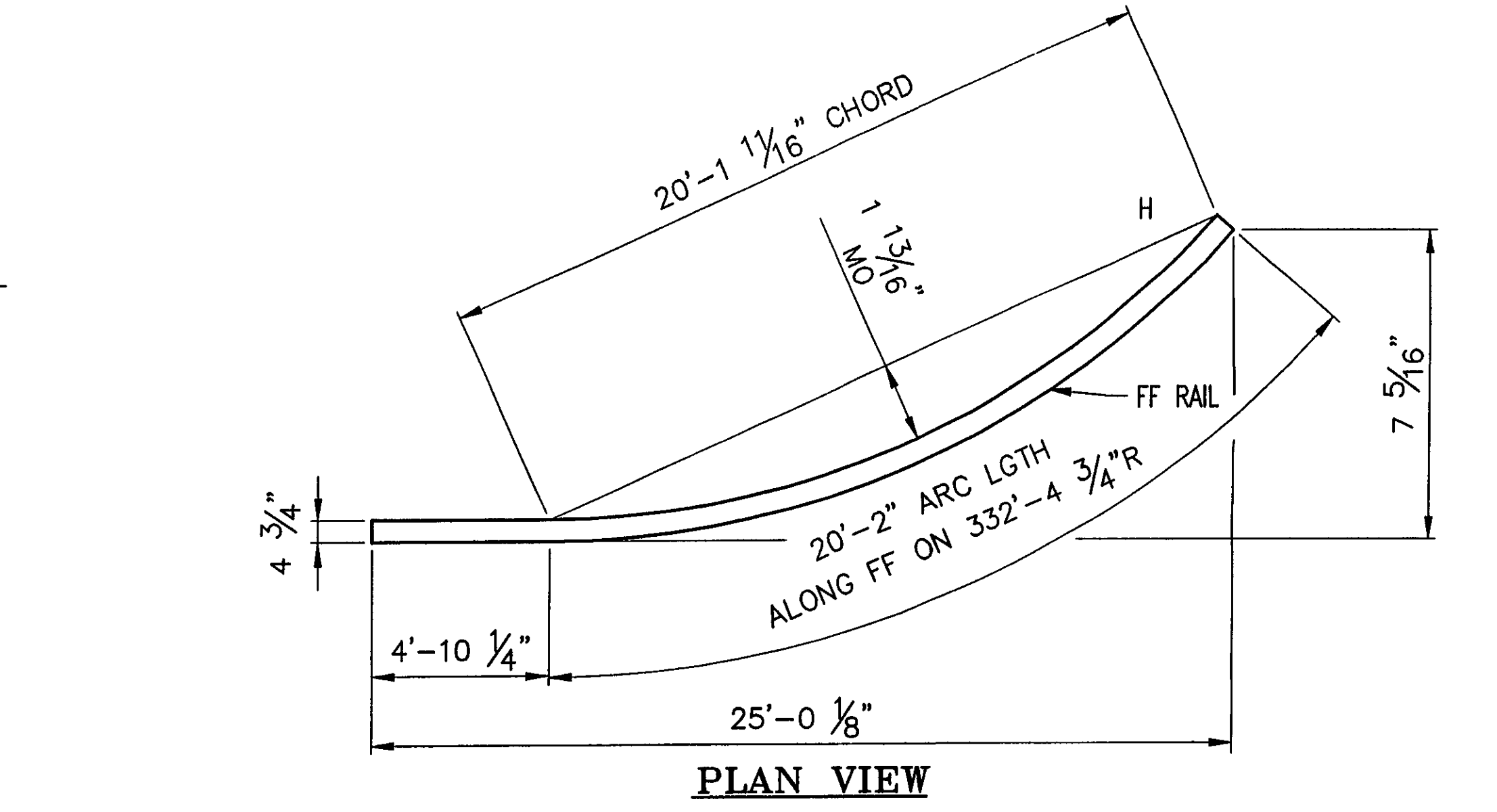
**4 REQ'D. ~ RAIL 'BA9'**  
(BACK ELEVATION VIEW)



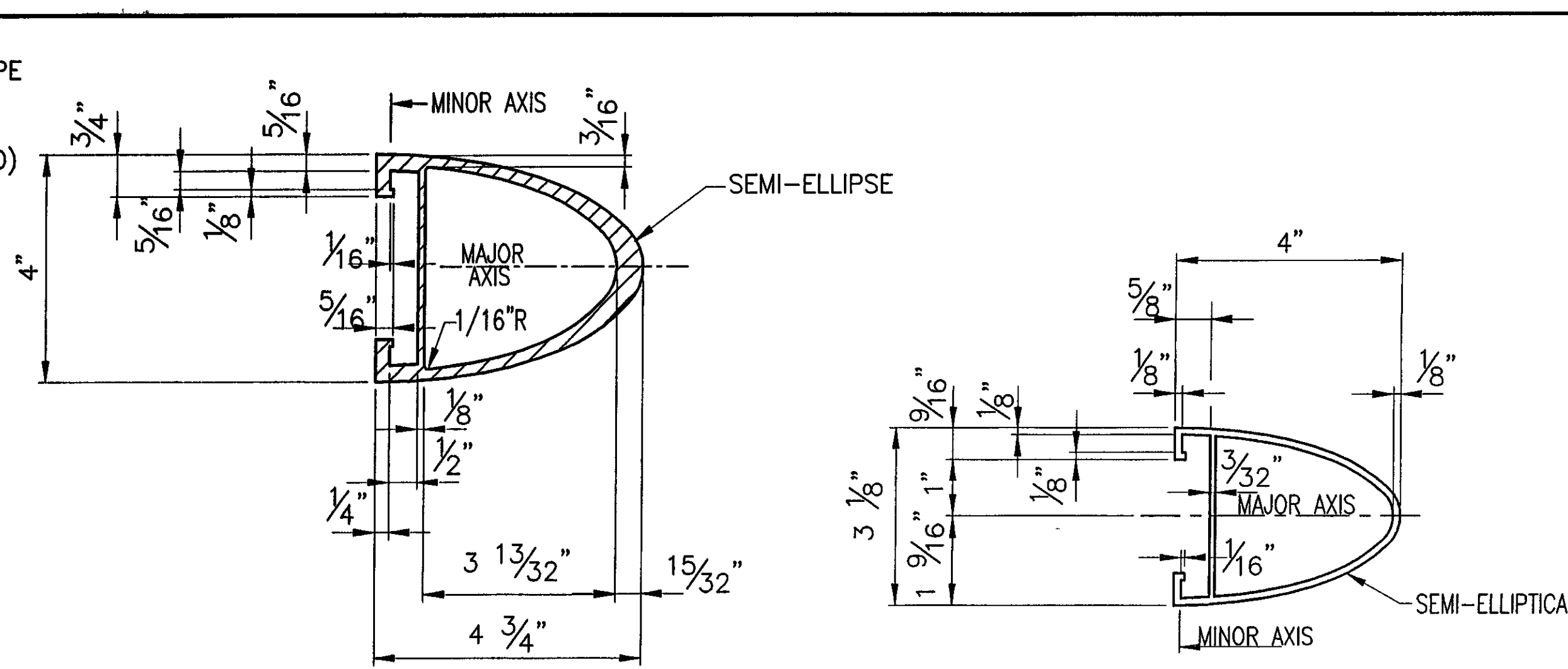
**ONE REQ'D - HANDRAIL 'TR1'**  
(FRT ELEVATION VIEW)  
(LENGTH ALONG FF RAIL = 11'-10 5/8" + 2'-6" FOR BENDING (14'-4 5/8"))



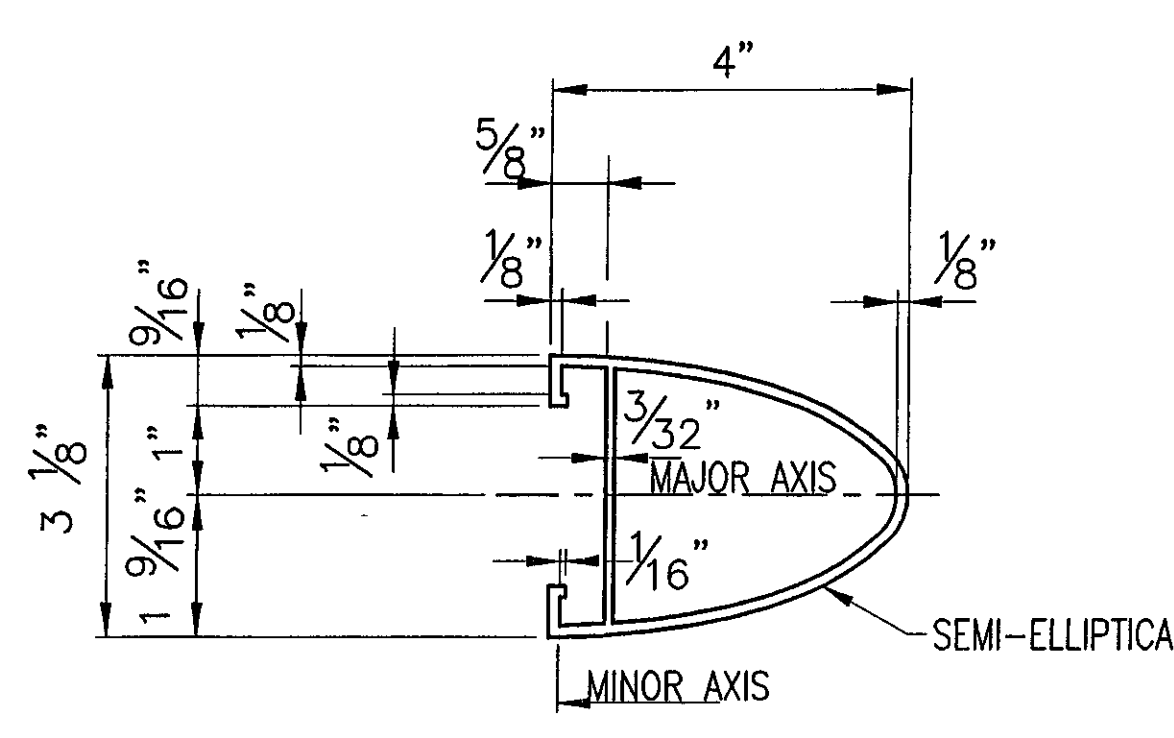
**BACK ELEVATION VIEW**



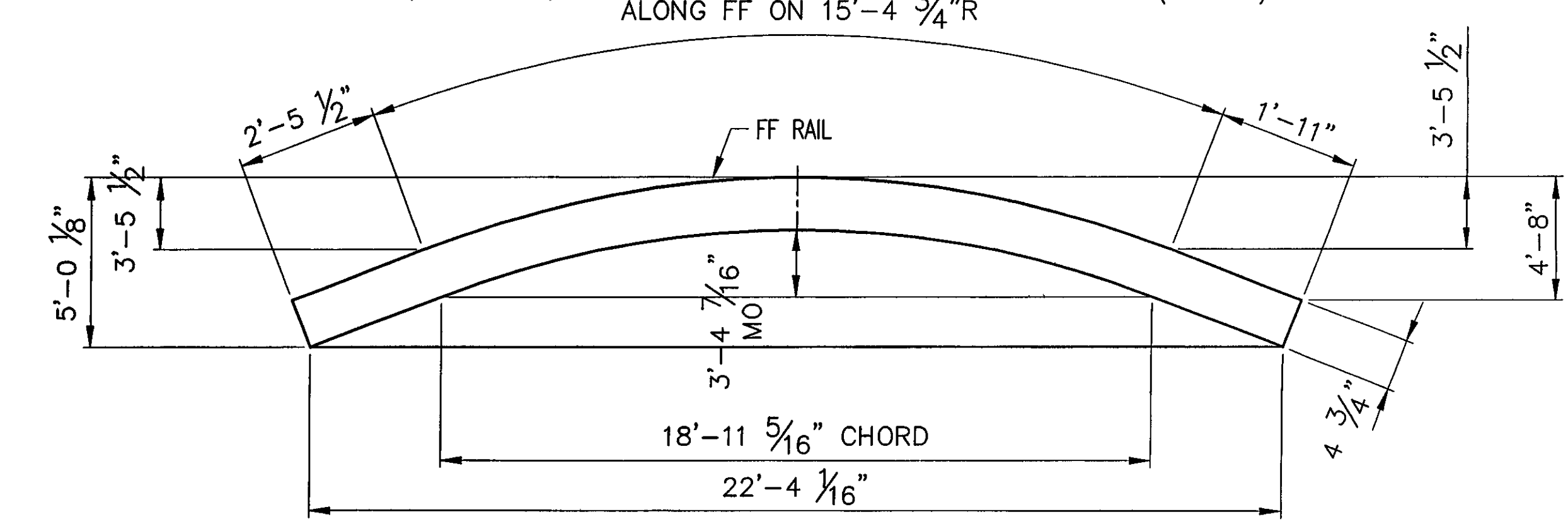
**2 REQ'D - BARRIER RAIL 'BA8'**  
(LENGTH ALONG FF OF RAIL = 25'-0 1/4" + 2'-6" FOR BENDING (27'-6 1/4"))



**TYPICAL SECTION (BARRIER RAIL)**  
21'-0 1/2" ARC LGTH ALONG FF ON 15'-4 3/4"R

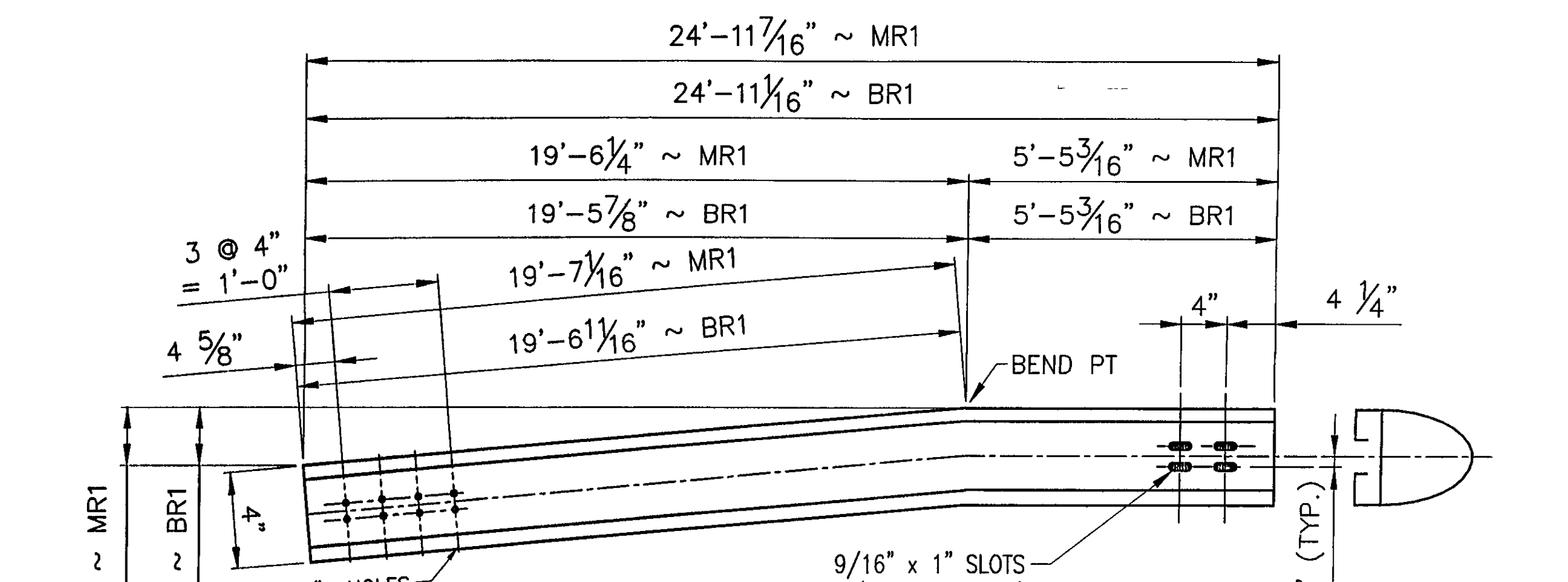


**TYPICAL SECTION (HANDRAIL)**



**ONE REQ'D - BARRIER RAIL 'MR1'**  
(BACK ELEVATION VIEW)(LENGTH ALONG FF OF RAILING = 25'-5")

**ONE REQ'D - BARRIER RAIL 'BR1'**  
(BACK ELEVATION VIEW)(LENGTH ALONG FF OF RAILING = 25'-5")



BRIDGE No. 37  
PROJECT No. BRF 030-2(17)S  
ITEM No: 621 74

APPROVED: \_\_\_\_\_ REC'D APPROVAL  
DRAWING

**L.B. FOSTER COMPANY**  
1016 GREENTREE ROAD  
PITTSBURGH, PENNSYLVANIA 15220

FOR: F. R. LAFAYETTE, INCORPORATED  
VERMONT AGENCY OF TRANSPORTATION  
TOWN OF JOHNSON, COUNTY OF LAMOILLE  
BRIDGE RAILING FOR VT15 (MINOR ARTERIAL) OVER GHON RIVER  
3L ALUMINUM APPROACH RAIL - RAIL DETAILS

MADE CMS DATE 05/18/07 JOB No ARO395 CUST No  
CHECK BLJ DATE 06/01/07 DRAWING LB12 REV. No. ONE

**ANODIZED**  
(SEE NOTES ON LB1)

RECEIVED  
CK'D BY CLD BY GAG  
AUG 03 2007  
REQUIRMENT APPROVED  
BY KMH DATE 8/13/07

| REV | DESCRIPTION                 | BY  | DATE     |
|-----|-----------------------------|-----|----------|
| 1   | REVISED PER APPROVAL MARKUP | BLJ | 07/31/07 |