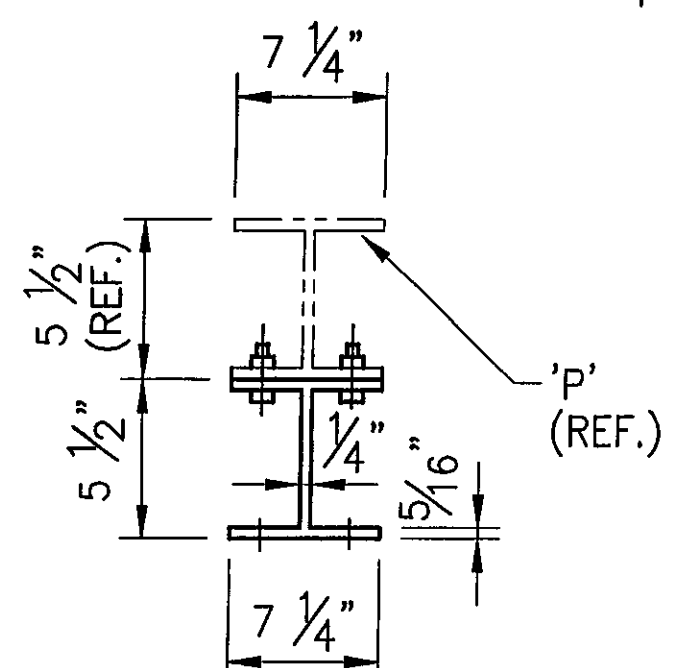
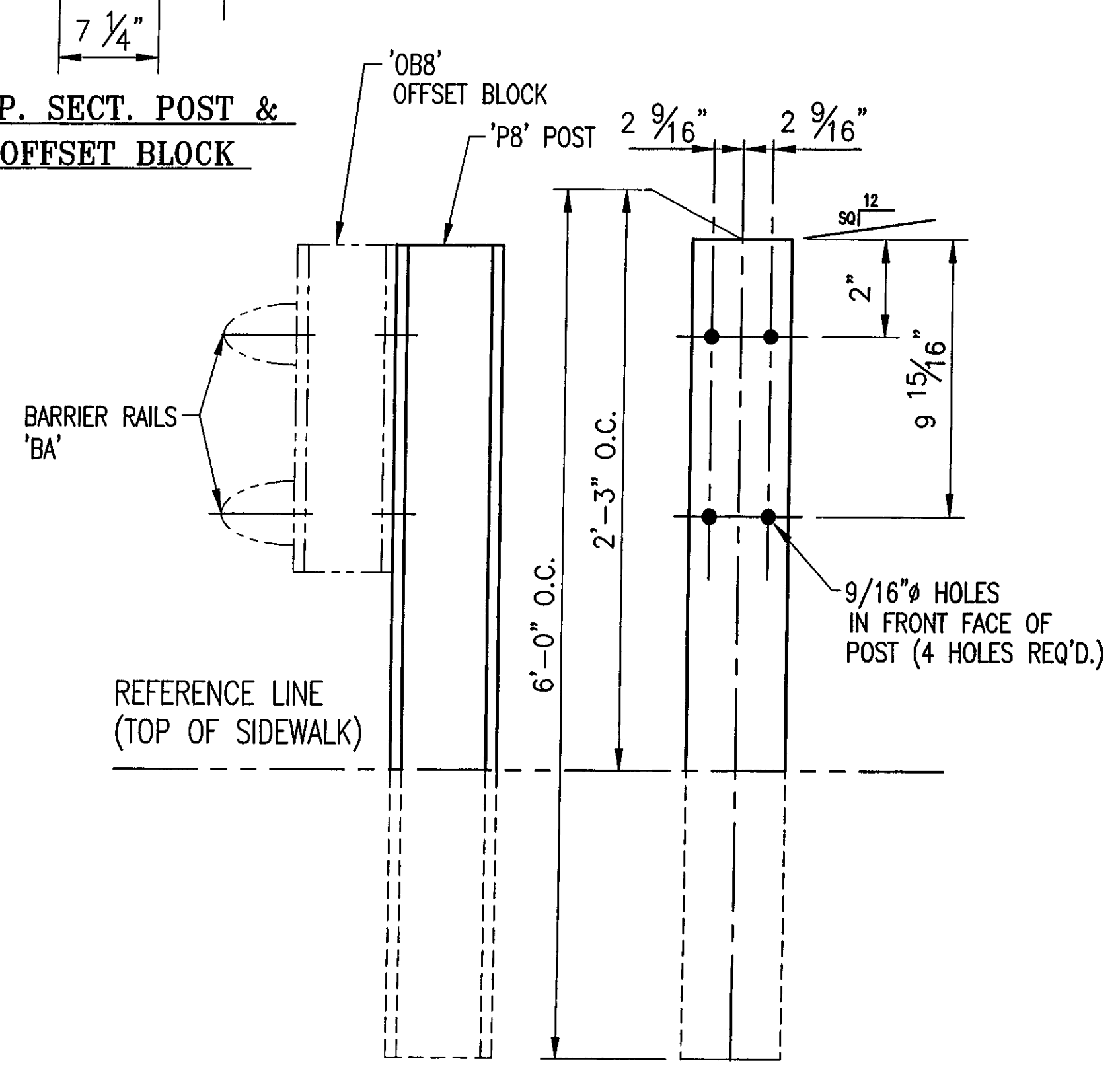


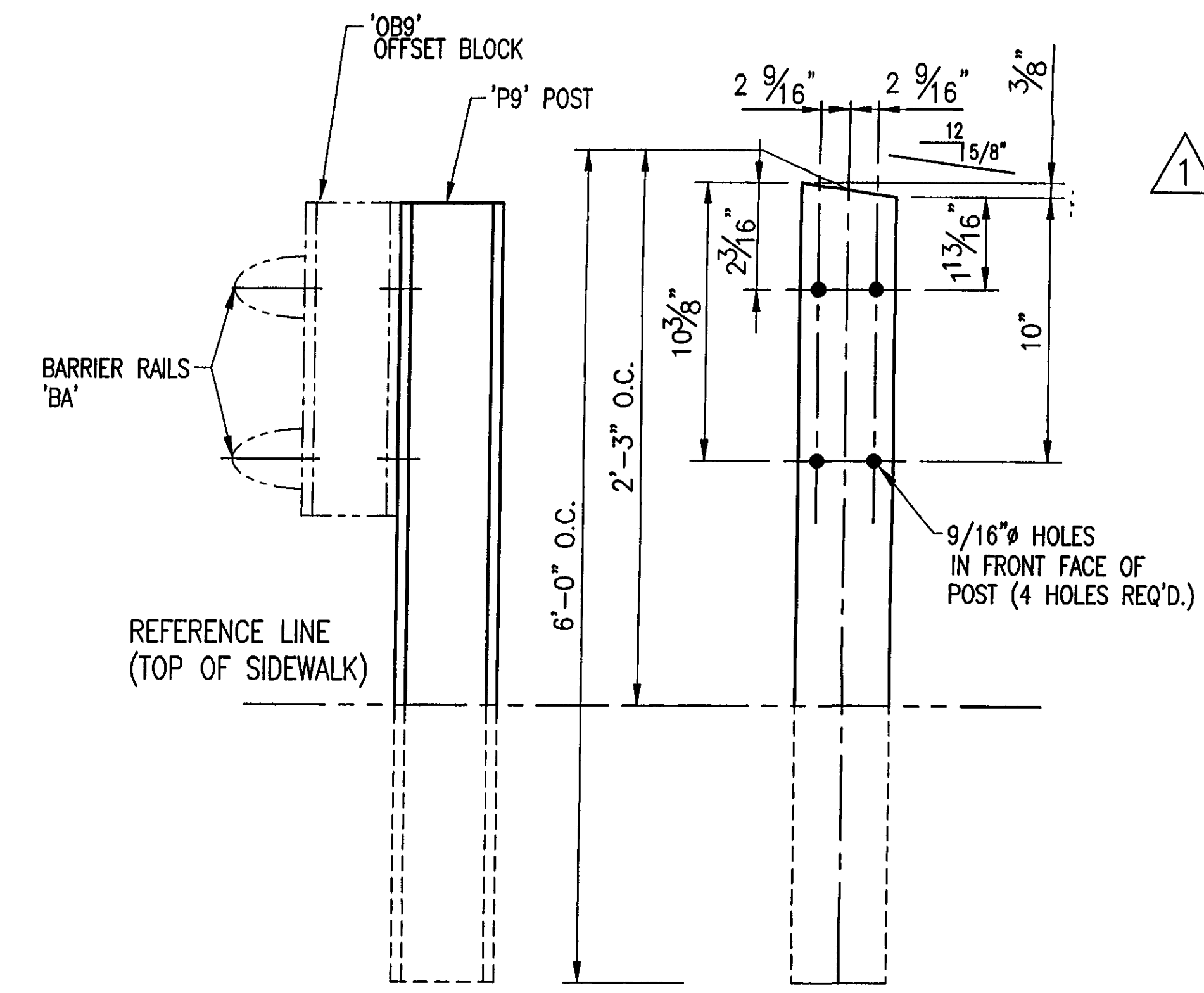
**OFFSET BLOCK OB1 ~ 32 REQ'D.**  
(NW & SW APPROACHES ONLY)



**TYP. SECT. POST & OFFSET BLOCK**

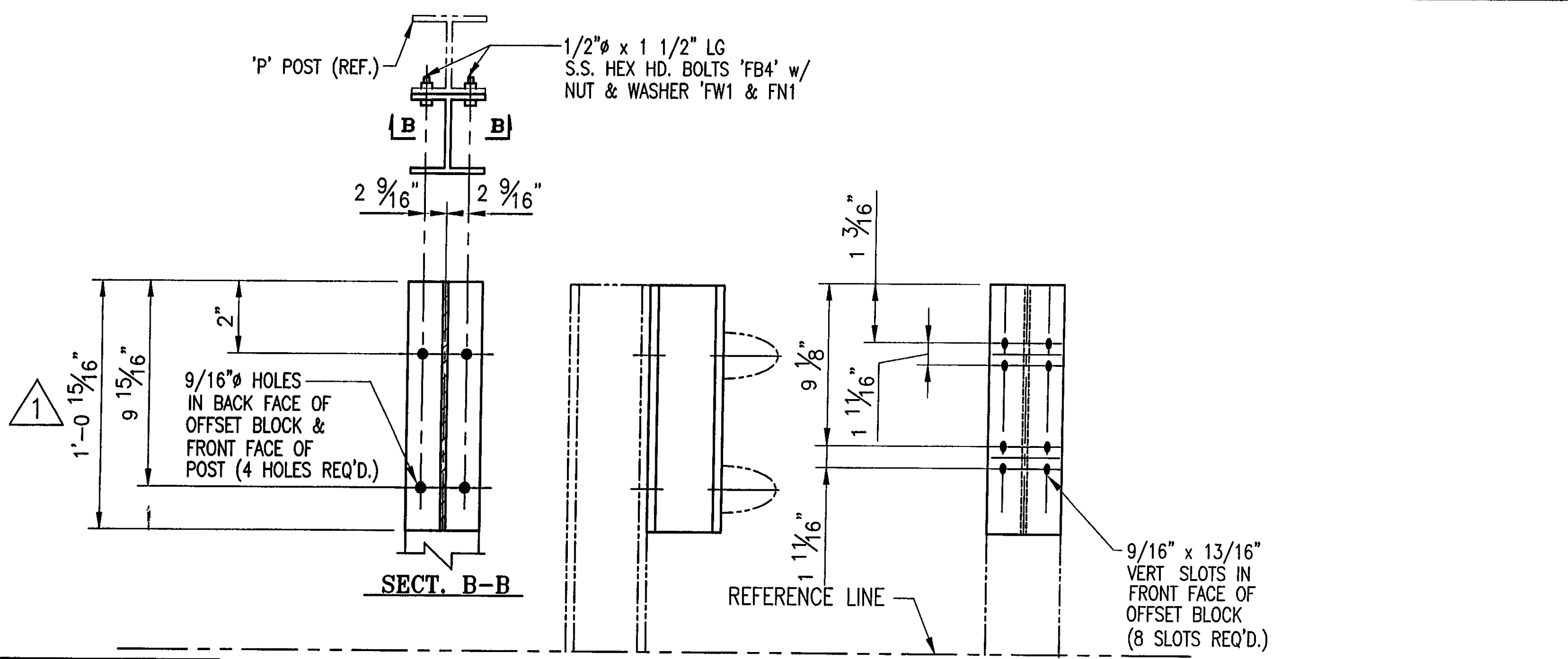


**4 REQ'D. ~ POST 'P8'**  
SE (WW4) APPROACHE ONLY

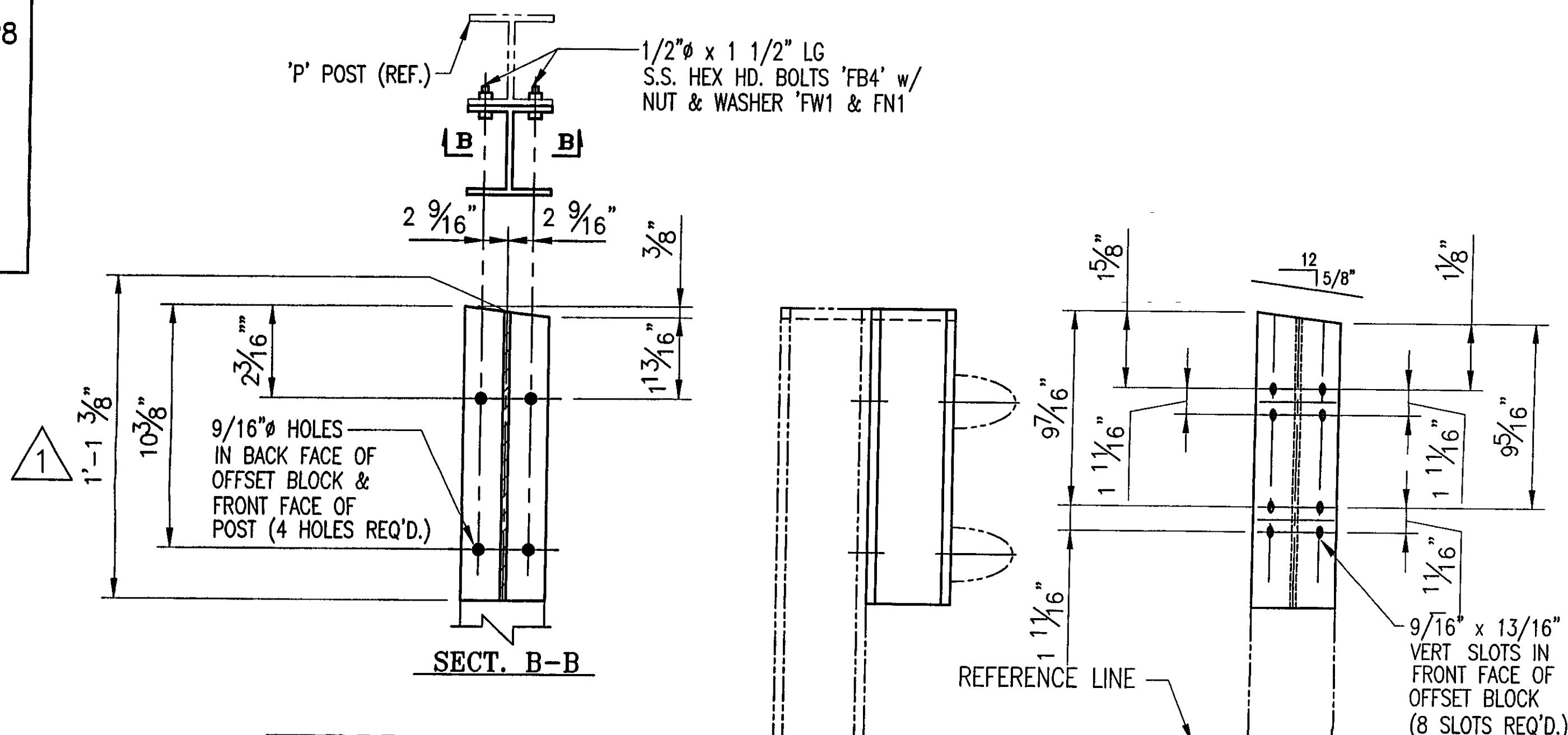


**4 REQ'D. ~ POST 'P9'**  
(NE (WW3) APPROACHE ONLY)

**NOTE:**  
2 CLAMPING BARS CB-01-H (#28596) PER POSTS P1  
4 CLAMPING BARS CB-03-A (#19447) PER POSTS P1 & P8  
w/ 1/2" - 13 UNC S.S. BOLT x 1" LG. 'FB1',  
1 1/16" O.D. x 17/32" I.D. x 3/32" THK. ALUM  
WASHER 'FW1' (#15280 & #19404)  
(16 PER POST)



**OFFSET BLOCK OB8 ~ 4 REQ'D.**  
(SE APPROACHE ONLY)



**OFFSET BLOCK OB9 ~ 4 REQ'D.**  
(NE APPROACHE ONLY)

**ANODIZED**  
(SEE NOTES ON LB1)

RECEIVED  
BY CLD OK'D BY GAS  
AUG 03 2007  
RESUBMIT APPROVED  
BY KMH DATE 8/13/07

REV.	DESCRIPTION	BY	DATE
1	REVISED ALL POST HIGHTS PER APPROVERS DIMENSIONS	CMS	07 25 07

BRIDGE No. 37  
PROJECT No. BRF 030-2(17)S  
ITEM No: 621.74

APPROVED: \_\_\_\_\_ REC'D APPROVAL \_\_\_\_\_  
DRAWING \_\_\_\_\_

**L.B. FOSTER COMPANY**  
1016 GREENTREE ROAD  
PITTSBURGH, PENNSYLVANIA 15220

FOR: F. R. LAFAYETTE, INCORPORATED  
VERMONT AGENCY OF TRANSPORTATION  
TOWN OF JOHNSON, COUNTY OF LAMOILLE  
BRIDGE RAILING FOR VT15 (MINOR ARTERIAL) OVER GIHON RIVER

OFFSET BLOCK DETAILS

MADE CMS DATE 05/23/07 JOB No ARO395 CUST No \_\_\_\_\_  
CHECK BLJ DATE 06/01/07 DRAWING LB11 REV. No ONE