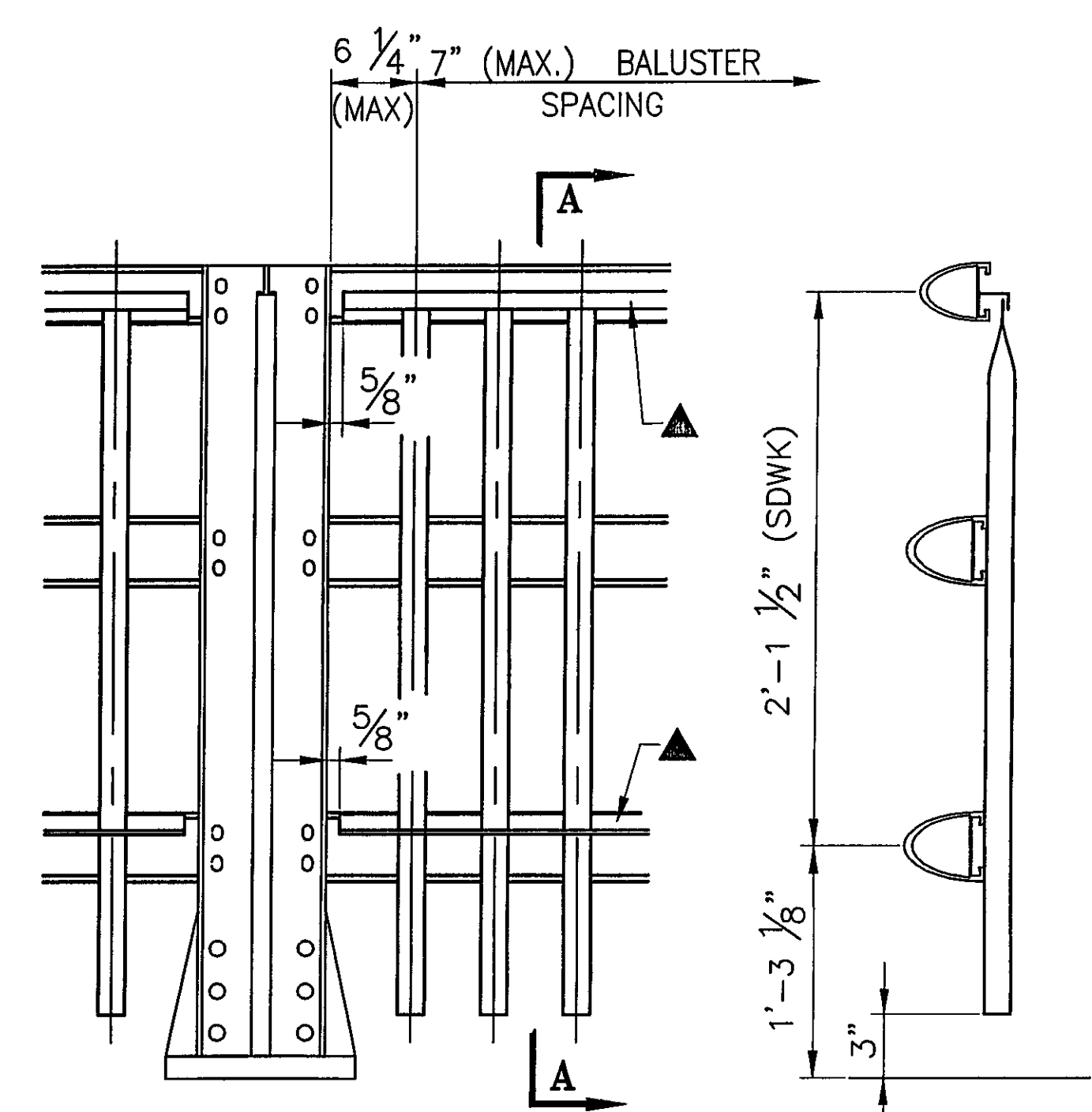
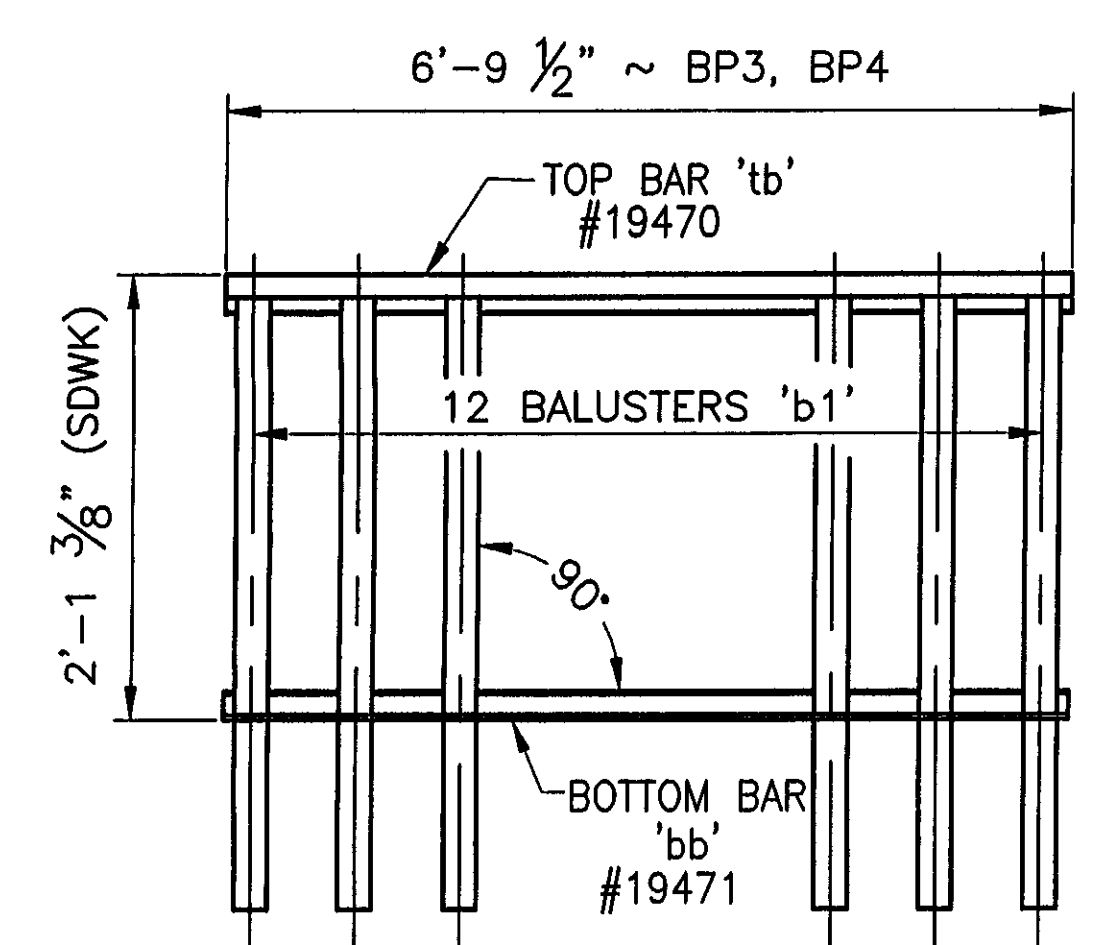


48 ~ REQ'D BALUSTERS 'b1' #19451

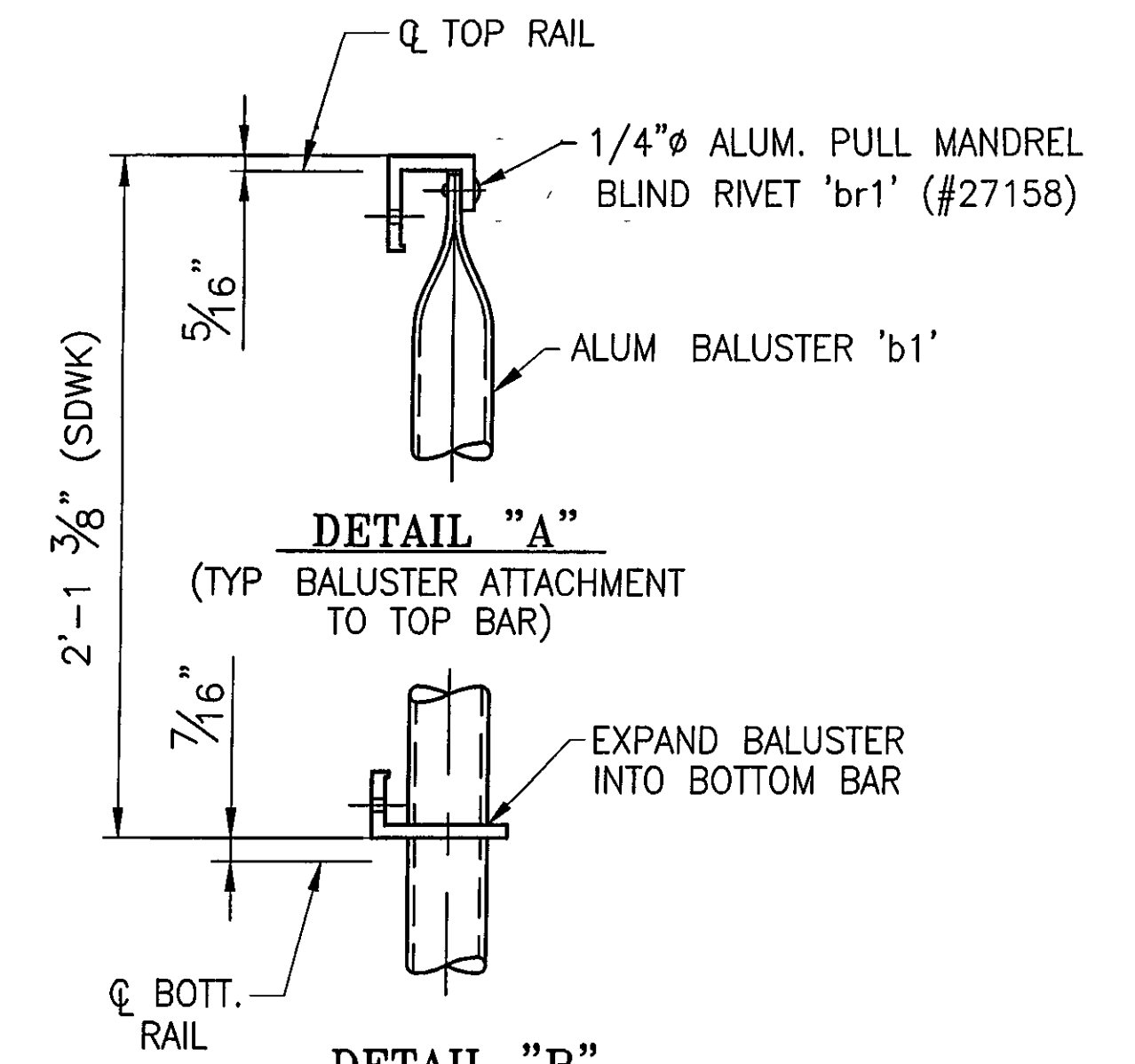


TYPICAL ELEVATION
▲ 1/4"-20UNC S.S. SOCKET SET SCREW x 1/2" - 'SS1' (#22079) EVERY OTHER SPACE BETWEEN BALUSTERS IF POSSIBLE

ANODIZED
(SEE NOTES ON LB1)



2 REQ'D. ~ BALUSTER PANEL ASSEMBLY 'BP3'
2 REQ'D. ~ BALUSTER PANEL ASSEMBLY 'BP4'



DETAIL "A"
(TYP BALUSTER ATTACHMENT TO TOP BAR)
DETAIL "B"
(TYP BALUSTER ATTACHMENT TO BOTTOM BAR)
ITEM No 525 23
BRIDGE No 37
PROJECT No. BRF 030-2(17)S

RECEIVED
CHKD BY CLD, DCKD BY GAS
AUG 03 2007
RESUBMIT APPROVED BY KMH DATE 8/13/07

APPROVED:	REC'D APPROVAL
	DRAWING
L.B. FOSTER COMPANY 1016 GREENTREE ROAD PITTSBURGH, PENNSYLVANIA 15220	
FOR: F. R. LAFAYETTE, INCORPORATED VERMONT AGENCY OF TRANSPORTATION TOWN OF JOHNSON, COUNTY OF LAMOILLE BRIDGE RAILING FOR VT15 (MINOR ARTERIAL) OVER GIRON RIVER 3-LINE ALUM BRIDGE RAIL ~ BALUSTER PANEL DETAILS @ SPLICES	
MADE CMS DATE 05/22/07 JOB No ARO395 CUST No	CHECK BLJ DATE 05/31/07 DRAWING LB5 REV. No
REV	DESCRIPTION BY DATE