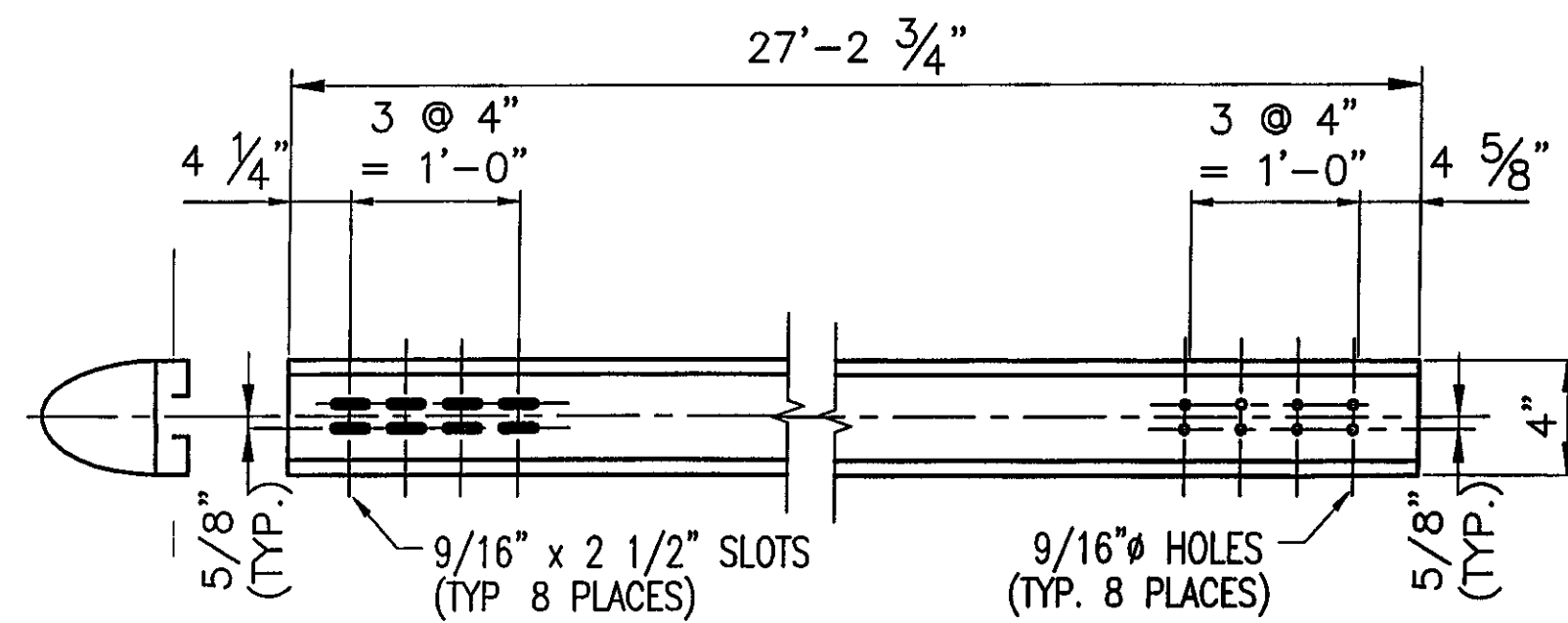
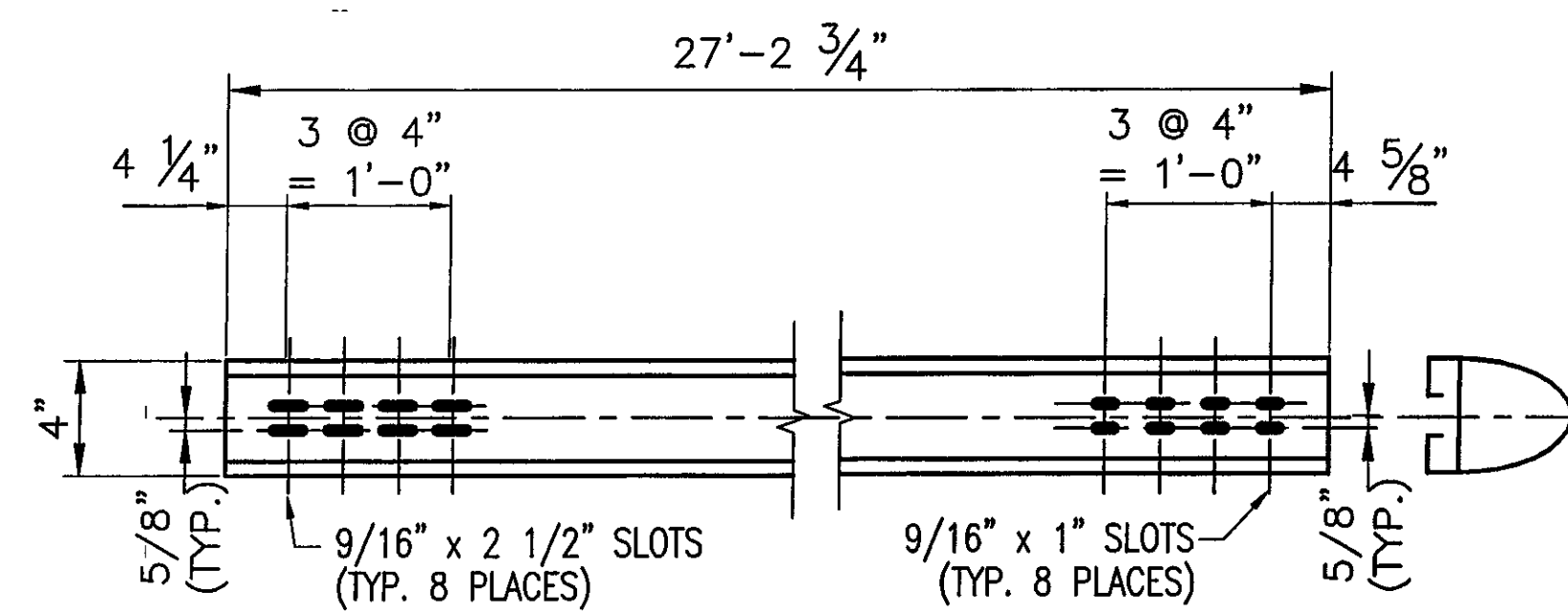


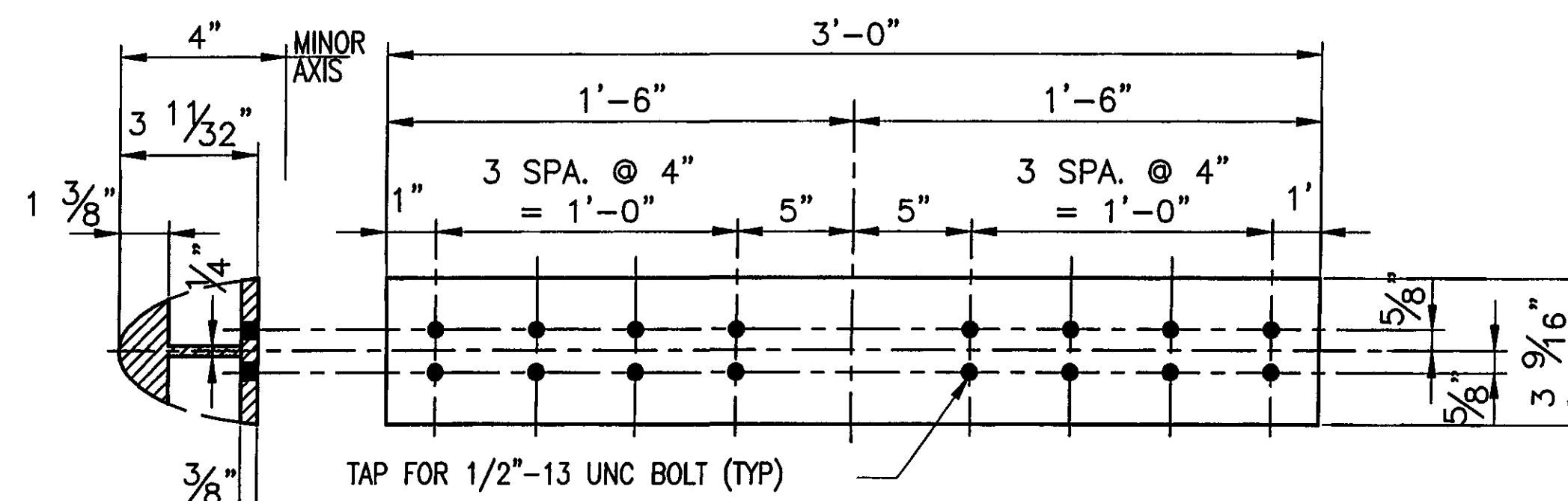
4 REQ'D. ~ RAIL 'BA2'
(BACK ELEVATION VIEW)



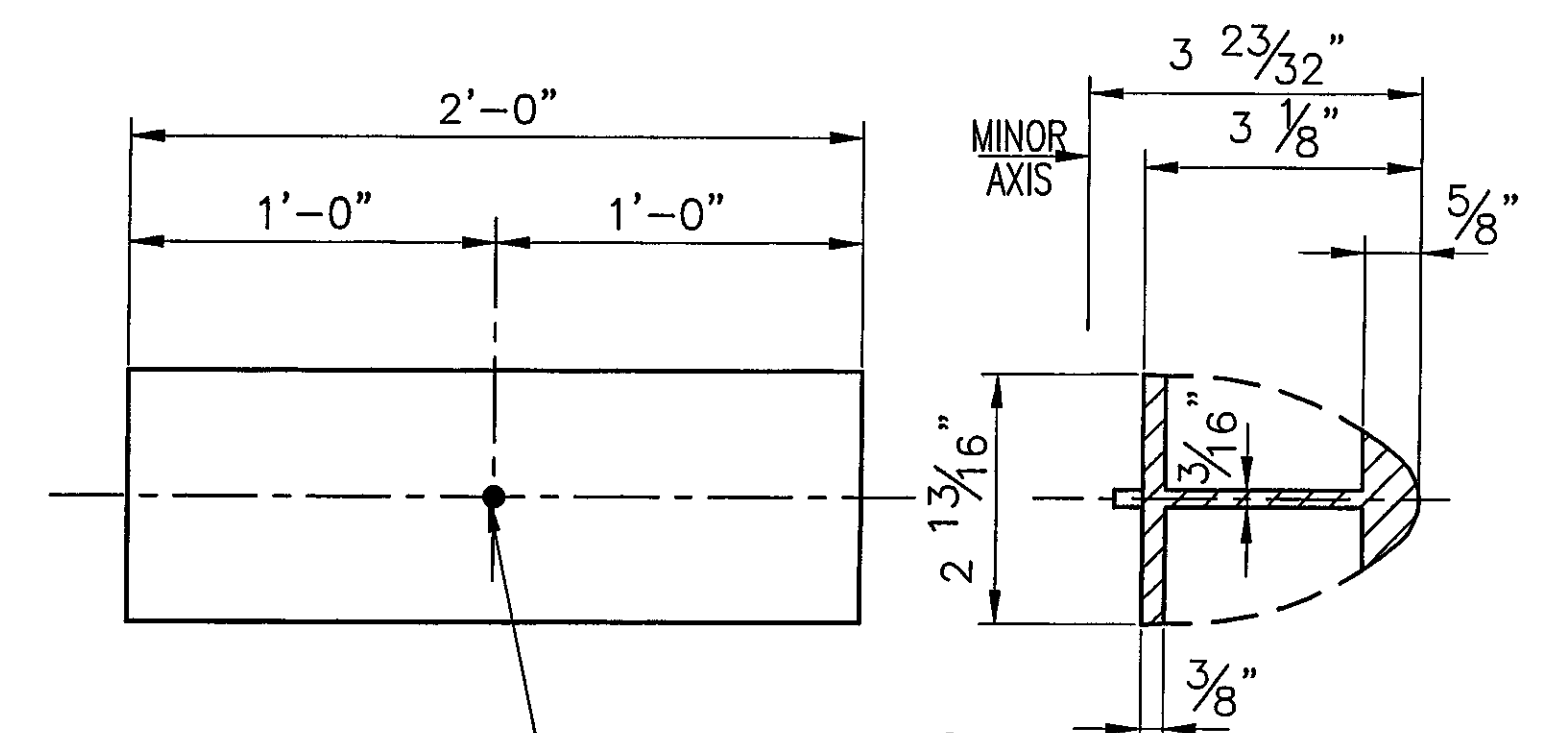
4 REQ'D. ~ RAIL 'BA1'
(BACK ELEVATION VIEW)



4 REQ'D. ~ RAIL 'BA3'
(BACK ELEVATION VIEW)



8 ~ REQ'D SPLICE SLEEVES SS-03-G
(BARRIER RAIL)



4 ~ REQ'D SPLICE SLEEVES SS-12-A
(HANDRAIL)

ANODIZED
(SEE NOTES ON LB1)

RECEIVED
CKD BY CLD OK'D BY GAS
AUG 03 2007
RESUBMIT APPROVED ✓
BY KMH DATE 8/13/07

BRIDGE No. 37
PROJECT No. BRF 030-2(17)S
ITEM No: 525 23

APPROVED: _____ REC'D APPROVAL _____
DRAWING _____

L.B. FOSTER COMPANY
1016 GREENTREE ROAD
PITTSBURGH, PENNSYLVANIA 15220

FOR: F. R. LAFAYETTE, INCORPORATED
VERMONT AGENCY OF TRANSPORTATION
TOWN OF JOHNSON, COUNTY OF LAMOILLE
BRIDGE RAILING FOR VT15 (MINOR ARTERIAL) OVER GIHON RIVER
3-LINE ALUM BRIDGE RAIL ~ MISC. RAIL DETAILS

MADE CMS DATE 05/21/07 JOB No ARO395 CUST No
CHECK BLJ DATE 05/31/07 DRAWING LB3 REV. No.

REV	DESCRIPTION	BY	DATE