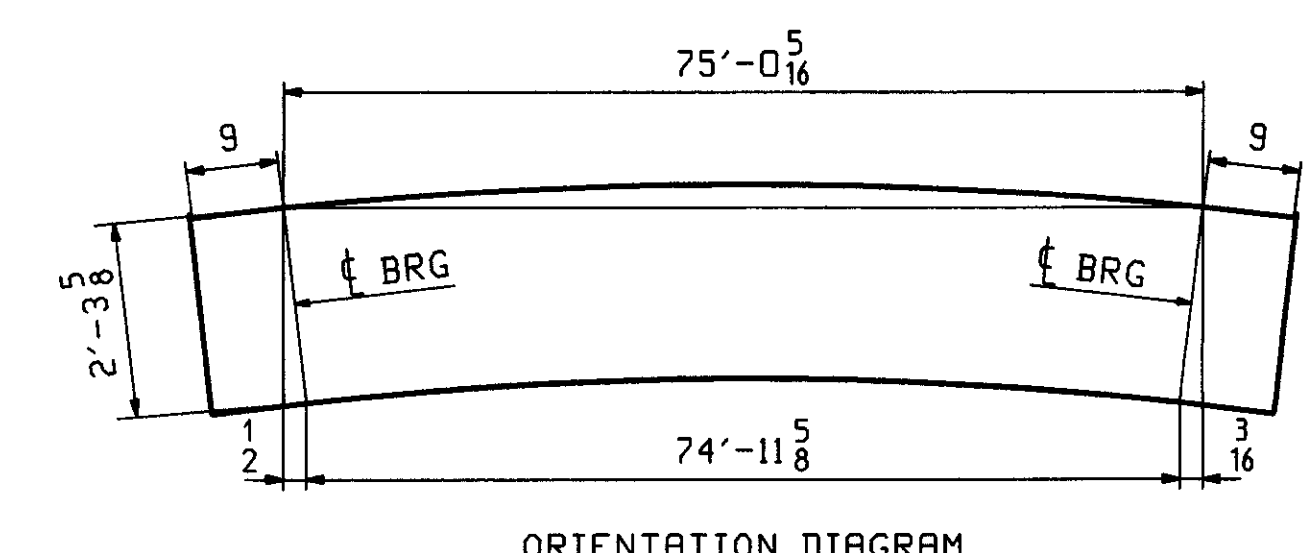
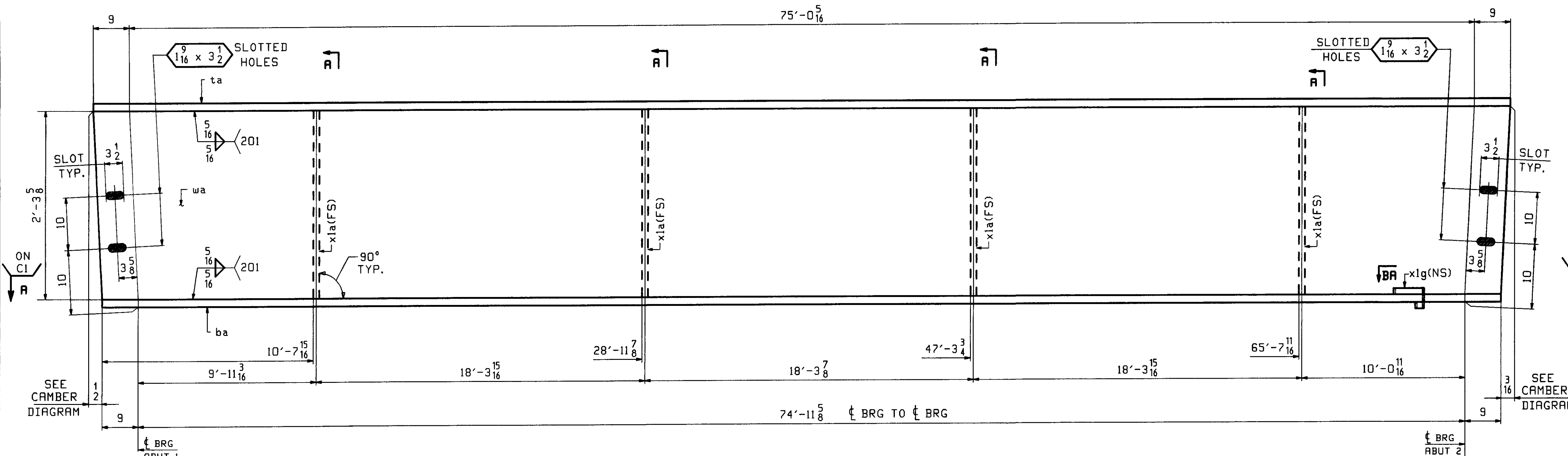
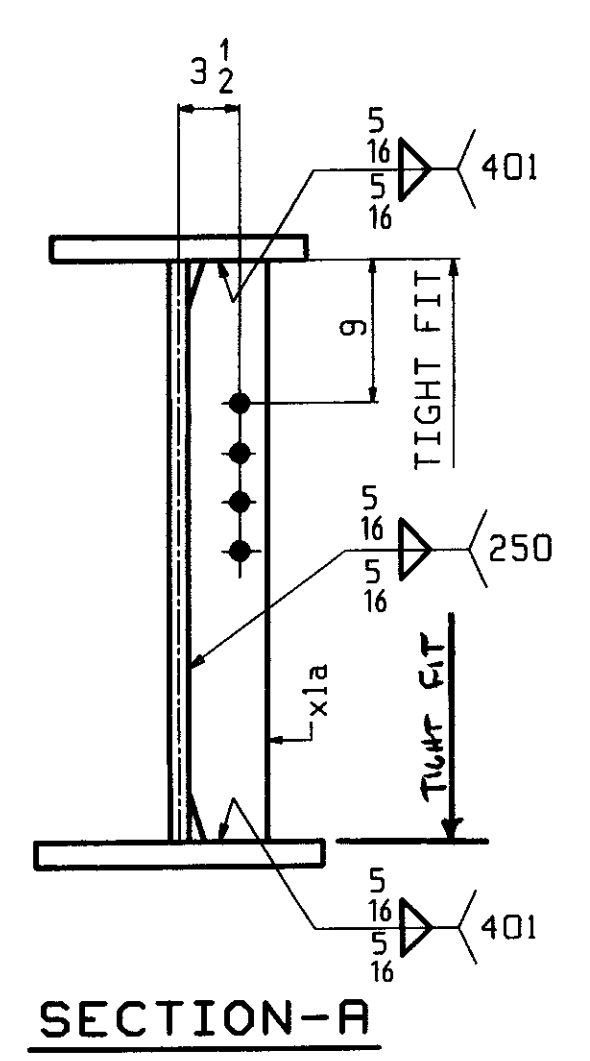
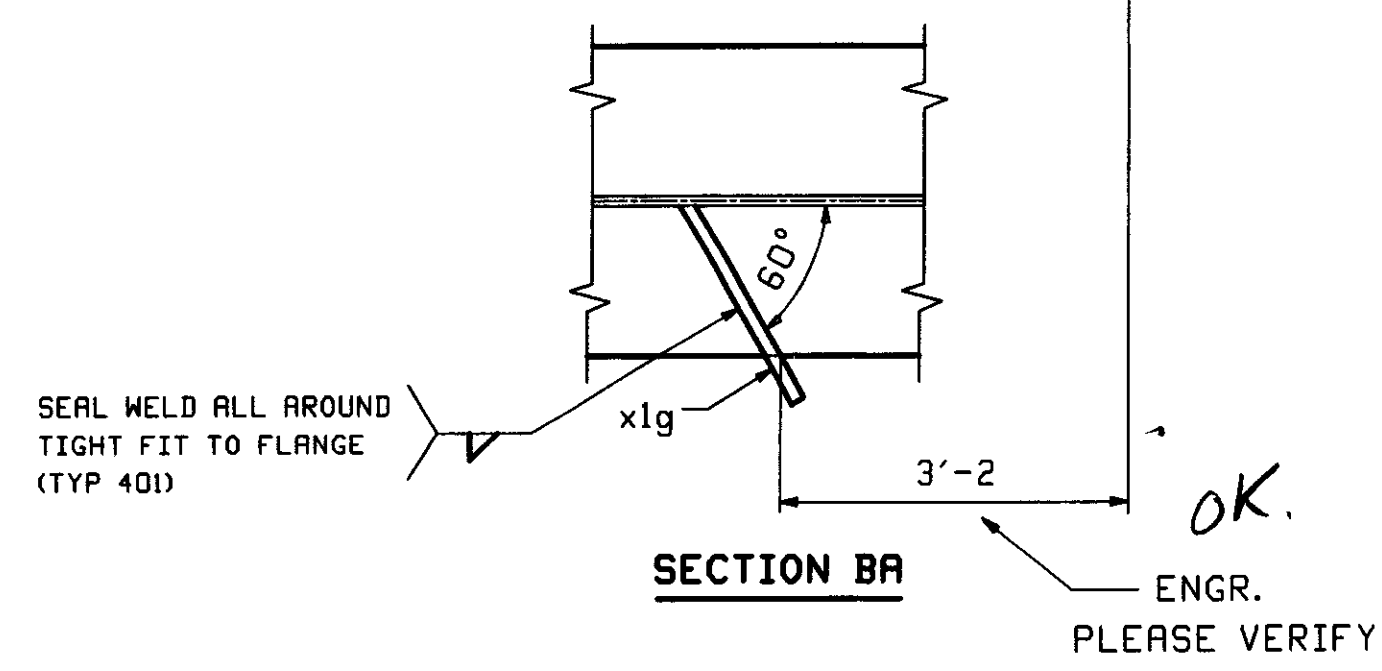


ABM INFO		SHIP		BILL OF MATERIAL				JOB NO	DRAWING NO	REV
								323	6	
PAGE	LINE	MARK	QTY	MARK	MATERIAL	LENGTH FT INCHES		REMARKS	WT	PROCUREMENT NOTES
		GG9A	1		GIRDER				14345	
1	E		1	wa	PL $\frac{1}{2} \times 27 \frac{3}{8}$	76	$\frac{5}{16}$	(M270-50T2) (H2-3)		
1	C		1	ta	PL $\frac{7}{8} \times 16$	76	$\frac{5}{16}$			
1	A		1	ba	PL $1 \frac{1}{2} \times 18$	76	$\frac{5}{8}$	(M270-50T2) (H2-3)		
2	B		4	x1a	PL $\frac{1}{2} \times 5$	2	$\frac{5}{8}$			
2	D		1	x1g	PL $\frac{1}{4} \times 3 \frac{1}{2}$	1	0 $\frac{1}{8}$	(M270-36)		



ONE - GIRDER - 6G9A

FOR GIRDER STANDARD DETAILS SEE DRAWING X1.
 FOR CAMBER DIAGRAM SEE DRAWING C1.
 FOR GENERAL NOTES SEE DRAWING GNI.
 H2-3 DENOTES MATERIAL SUBJECT TO CHARPY V-NOTCH TESTING.



OUT FOR APPROVAL	5-24-07									
OUT FOR APPROVAL										
ISSUED TO SHOP										
FIELD & OFFICE										

REV.	REMARKS	DATE	DWN	CHK	APP	Q.A.	NO.	DIA.	LGT	TYPE	WASHER
	MATERIAL (UN).										
	M270 GR. 50										
	ELECTRODES										
	HOLES										
	15/16 (UN)										
	SHOP BOLTS										
	NONE										
	SURFACE PREP & PAINT										
	SEE PRINT NOTES ON DWG GNI										

DESCRIPTION	GIRDER - 6G9A	DRAWN BY	DATE
JOB:	VT ROUTE 15 OVER THE GIHON RIVER	WR	05/17
	BRIDGE NO 37	CHKD BY	
	TOWN OF JOHNSON, VT (LAMOILLE COUNTY)	DO	05/22
		APPROV BY	
		SUPERVISOR	W. J. GATTI
PROJ NO.	BRF 030-2(17)5	Q.A.	
CUSTOMER:	VT AOT		
CASCO BAY STEEL STRUCTURES, INC.		JOB NO.	DRG NO.
75 SPRING HILL ROAD SACO, MAINE 04072		323	6
PHONE (207) 282-7360 FAX. (207) 282-1179		REV.	△

RECEIVED
 JUN 0 1 2007
 OK'D BY: CLO OK'D BY:
 RESUBMIT APPROVED: *As Notd*
 BY: *WJG* DATE: *4/17/07*

15 JUN 25 2007 09:52:05 AM casco/ghh/21644 Rev 0