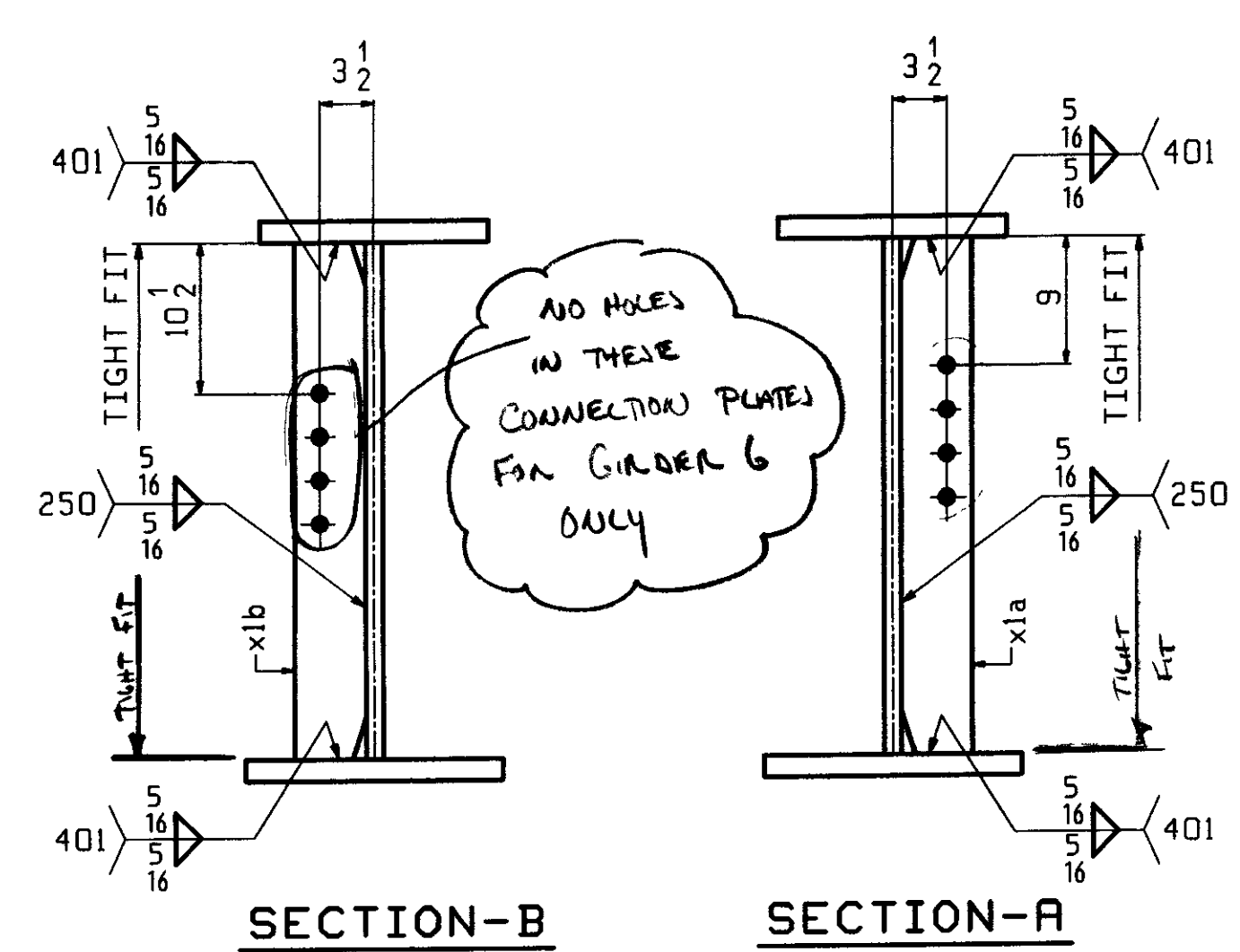
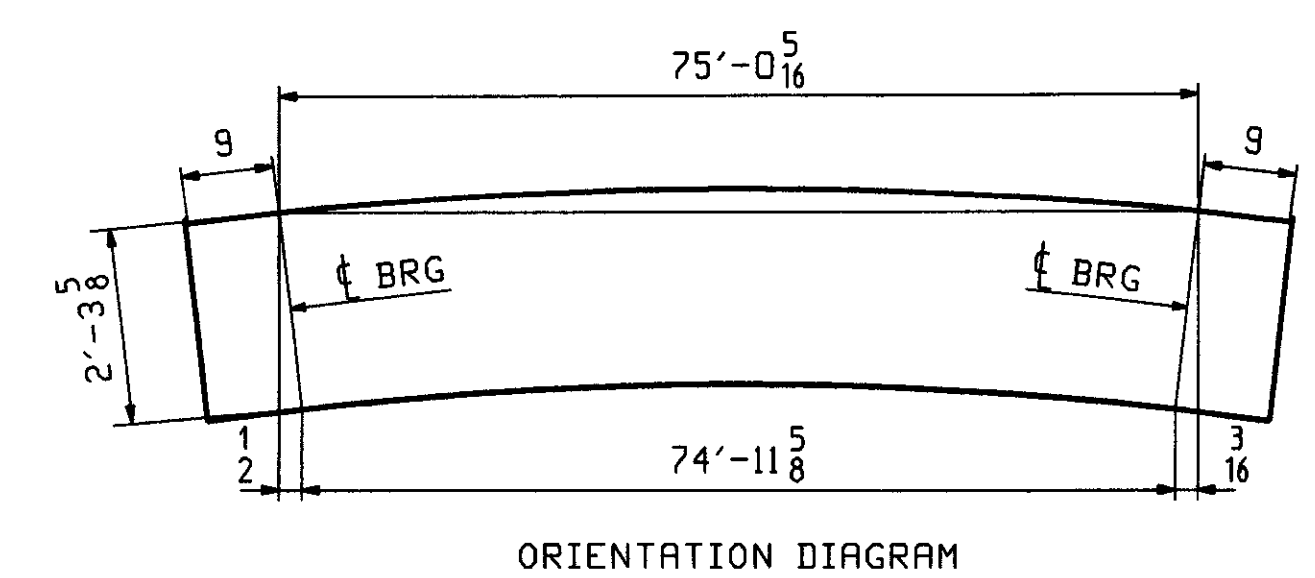


ONE - GIRDER - 5G6A  
 ONE - GIRDER - 5G7A  
 ONE - GIRDER - 5G8A

ALIKE EXCEPT \*  
 FOR MARK

FOR GIRDER STANDARD DETAILS SEE DRAWING XI.  
 FOR CAMBER DIAGRAM SEE DRAWING CI.  
 FOR GENERAL NOTES SEE DRAWING GNI.  
 H2-3 DENOTES MATERIAL SUBJECT TO CHARPY V-NOTCH TESTING.

ABM INFO		BILL OF MATERIAL				JOB NO	DRAWING NO	REV.	
PAGE	LINE	MARK	QTY	MARK	MATERIAL	LENGTH FT INCHES	REMARKS	WT	PROCUREMENT NOTES
		5G6A	1		GIRDER				14425
		5G7A	1		GIRDER				14425
		5G8A	1		GIRDER				14425
1	E		3	wa	PL 1/2 x 27 5/8	76 6 5/16	(M270-50T2) (H2-3)		
1	C		3	ta	PL 7/8 x 16	76 6 5/16			
1	A		3	ba	PL 1 1/2 x 18	76 6 5/16	(M270-50T2) (H2-3)		
2	B		12	x1a	PL 1/2 x 5	2 3 5/8			
2	B		12	x1b	PL 1/2 x 5	2 3 5/8			



OUT FOR APPROVAL	5-24-07								
OUT FOR APPROVAL									
ISSUED TO SHOP									
FIELD & OFFICE									

REV.	REMARKS	DATE	DNW	CHK	APP	Q.A.	NO.	DIA.	LGT	TYPE	WASHER
	MATERIAL (UN).	ELECTRODES									
	M270 GR. 50										

SURFACE PREP. & PAINT:  
 SEE PRINT NOTES ON DWG GNI

DESCRIPTION:	GIRDER - 5G6A 5G7A & 5G8A	DRAWN BY	DATE
JOB:	VT ROUTE 15 OVER THE GIHON RIVER	WR	05/17
	BRIDGE NO 37	CHKD BY	
	TOWN OF JOHNSON, VT (LAMOILLE COUNTY)	DO	05/22
		APPROV BY	
		SUPERVISOR	W. J. GATTI

PROJ NO.	BRF D30-2(17)S	Q.A.	
CUSTOMER:	VT AOT		
<b>CASCO BAY STEEL STRUCTURES, INC.</b>		JOB NO.	DRG. NO
75 SPRING HILL ROAD SACO, MAINE 04072		323	5
PHONE (207) 282-7360 FAX. (207) 282-1179		REV.	△

RECEIVED  
 OK'D BY: CLB OK'D BY: \_\_\_\_\_  
 JUN 01 2007  
 RESUBMIT: \_\_\_\_\_ APPROVED: As Not  
 BY: Wjh DATE: 6/20/07

US 100 May 22, 2002 03:44:57 PM C:\msd\p\sh-2716-5 Rev0