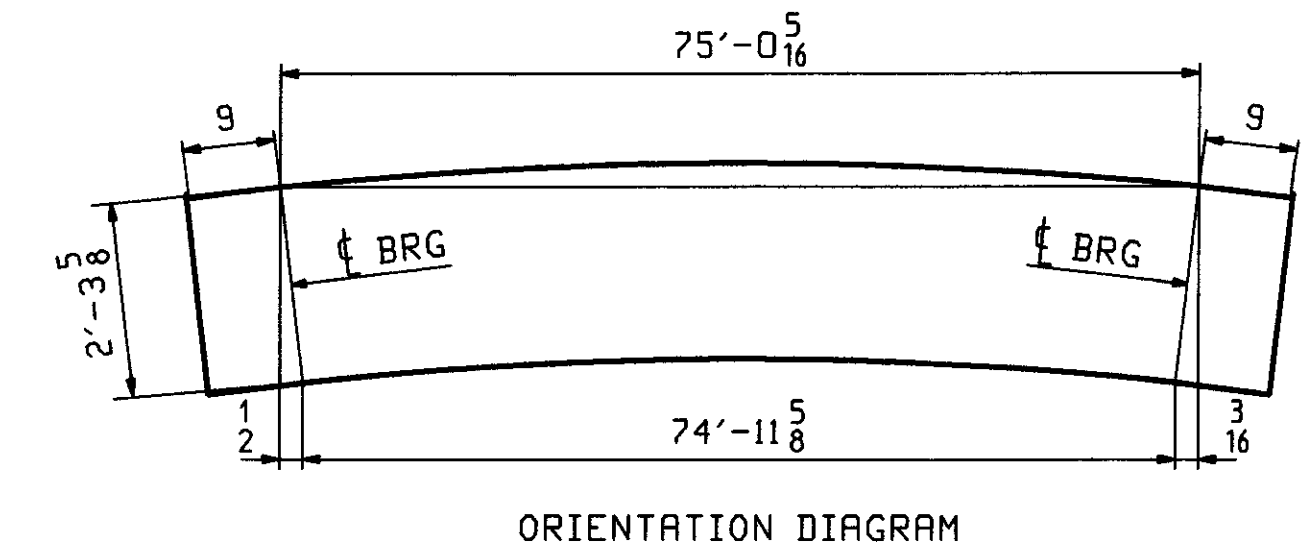
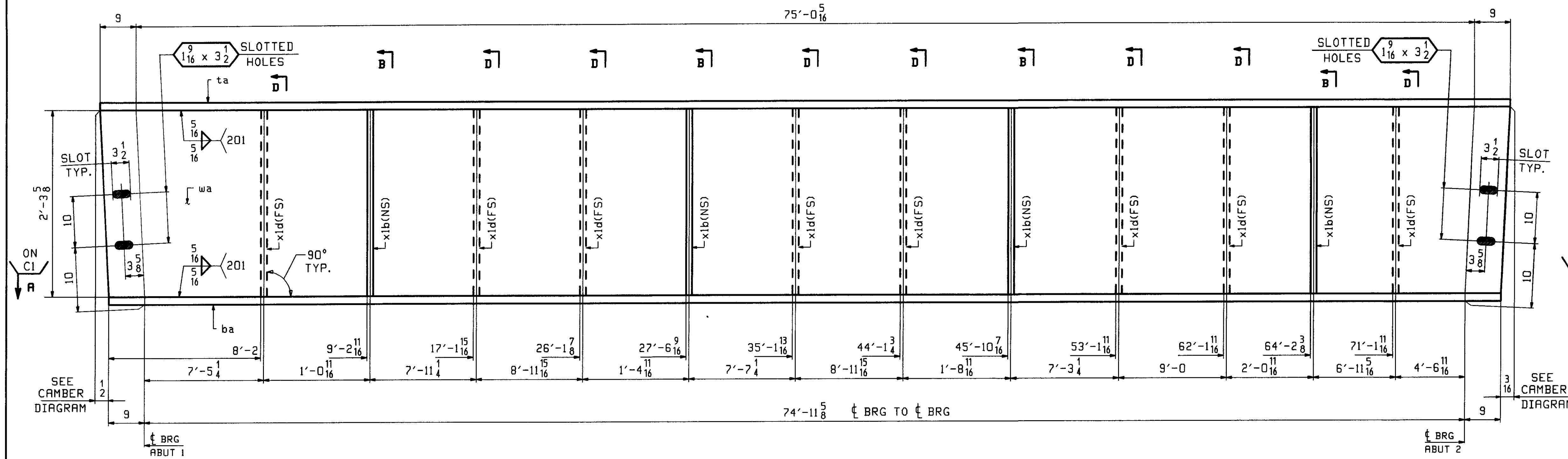
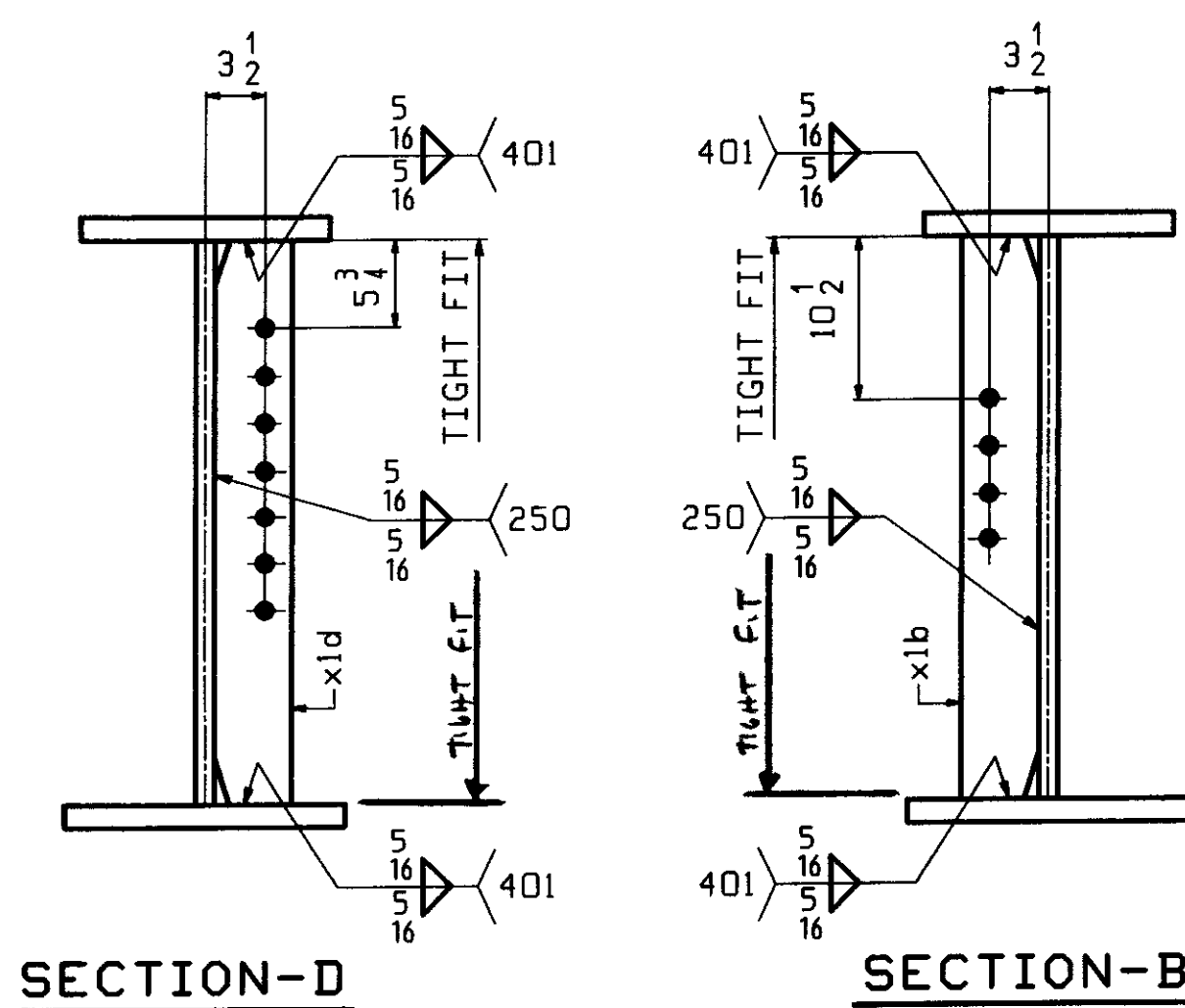


ABM INFO		BILL OF MATERIAL				JOB NO	DRAWING NO	REV	
PAGE	LINE	MARK	QTY	MARK	MATERIAL	LENGTH FT INCHES	REMARKS	WT	PROCUREMENT NOTES
		4G5A	1		GIRDER			14503	
1	E		1	wa	PL $\frac{1}{2} \times 27 \frac{5}{8}$	76 $\frac{5}{16}$	(M270-50T2) (H2-3)		
1	C		1	ta	PL $\frac{7}{8} \times 16$	76 $\frac{5}{16}$			
1	A		1	ba	PL $1 \frac{1}{2} \times 18$	76 $\frac{5}{8}$	(M270-50T2) (H2-3)		
2	B		4	x1b	PL $\frac{1}{2} \times 5$	2 $\frac{5}{8}$			
2	B		8	x1d	PL $\frac{1}{2} \times 5$	2 $\frac{5}{8}$			



**ONE - GIRDER - 4G5A**

FOR GIRDER STANDARD DETAILS SEE DRAWING X1.  
 FOR CAMBER DIAGRAM SEE DRAWING C1.  
 FOR GENERAL NOTES SEE DRAWING GNI.  
 H2-3 DENOTES MATERIAL SUBJECT TO CHARPY V-NOTCH TESTING.



OUT FOR APPROVAL	5-21-07									
OUT FOR APPROVAL										
ISSUED TO SHOP										
FIELD & OFFICE										

REV.	REMARKS	DATE	DWN	CHK	APP	Q A	NO.	DIA.	LGT	TYPE	WASHER
	MATERIAL (UN)										
	M270 GR. 50										NONE

SURFACE PREP. & PAINT.  
 SEE PAINT NOTES ON DWG GNI

DESCRIPTION.	GIRDER - 4G5A	DRAWN BY	DATE
JOB:	VT ROUTE 15 OVER THE GIHON RIVER	WR	05/17
	BRIDGE NO. 37	CHKD BY	
	TOWN OF JOHNSON, VT. (LAMOILLE COUNTY)	DO	05/21
		APPROV BY	
		SUPERVISOR	W. J. GATTI

PROJ NO.	BRF 030-2(17)S	Q.A.	
CUSTOMER:	VT A O T		
<b>CASCO BAY STEEL STRUCTURES, INC.</b>		JOB NO.	DRG NO
75 SPRING HILL ROAD	SARCO, MAINE 04072	<b>323</b>	<b>4</b>
PHONE (207) 282-7360	FAX. (207) 282-1179	REV.	△

RECEIVED  
 CKD BY *ccs* OK'D BY \_\_\_\_\_  
 JUN 01 2007  
 RESUBMIT \_\_\_\_\_ APPROVED *As Notd*  
 BY *WJG* DATE *6/1/07*

15 JUN 11 2007 08:42:20 BR...