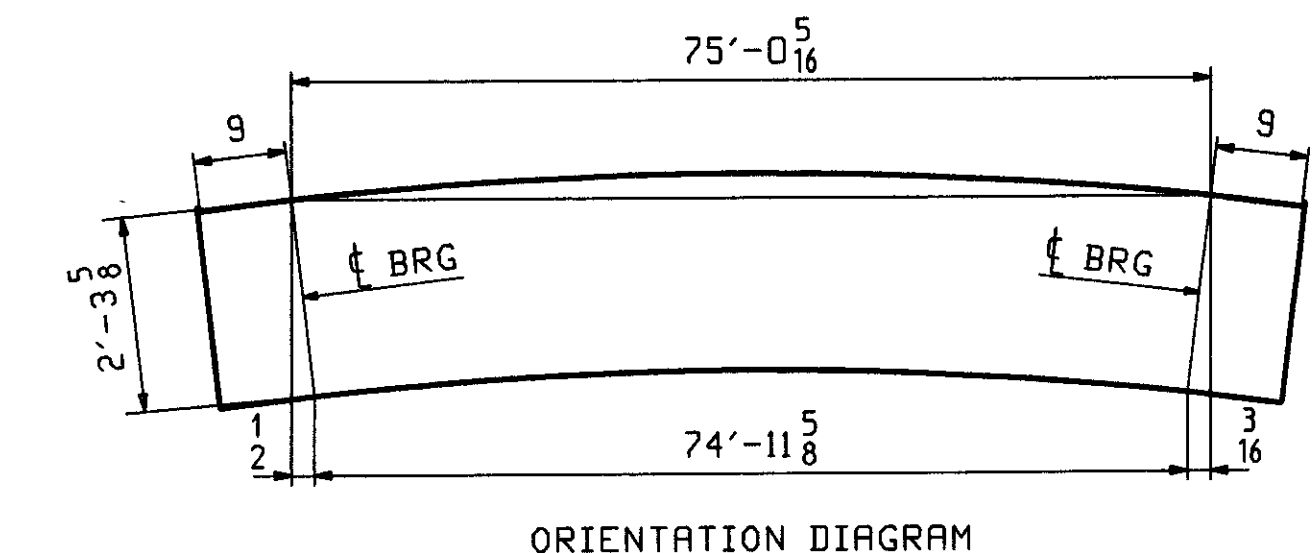
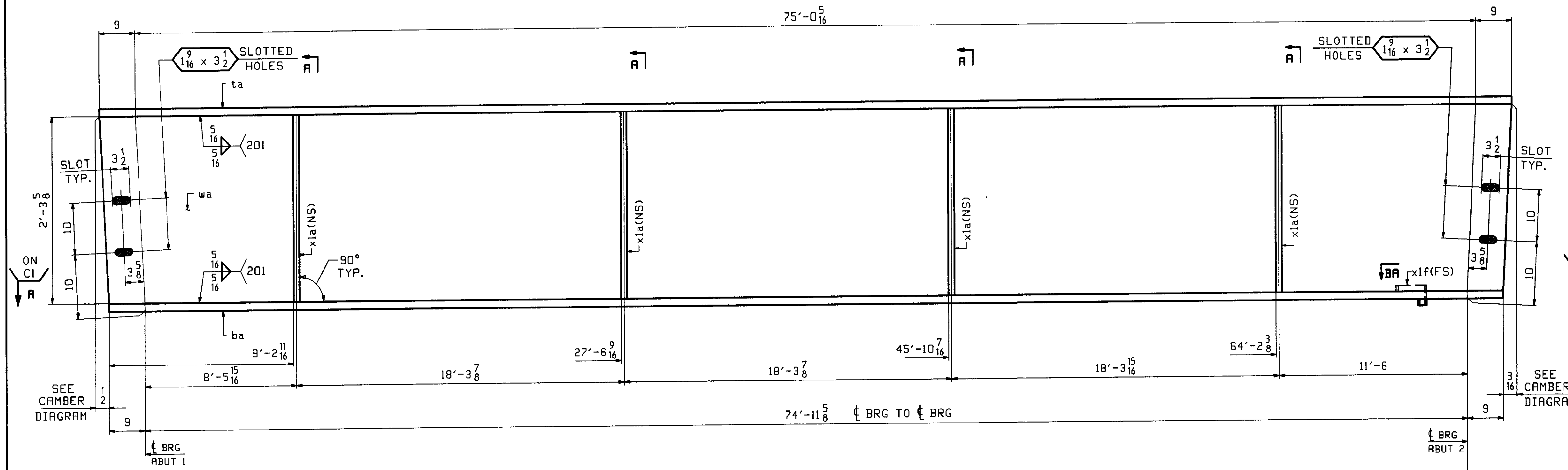


ABM INFO		SHIP		BILL OF MATERIAL				JOB NO	DRAWING NO.	REV
								323	1	
PAGE	LINE	MARK	QTY	MARK	MATERIAL	LENGTH FT	INCHES	REMARKS	WT	PROCUREMENT NOTES
		IG1A	1		GIRDER				14345	
1	E		1	wa	PL $\frac{1}{2} \times 27 \frac{5}{8}$	76	$\frac{5}{16}$	(M270-SQT2) (H2-3)		
1	C		1	ta	PL $\frac{7}{8} \times 16$	76	$\frac{5}{16}$			
1	A		1	ba	PL $1 \frac{1}{2} \times 18$	76	$\frac{5}{8}$	(M270-SQT2) (H2-3)		
2	B		4	x1a	PL $\frac{1}{2} \times 5$	2	$\frac{3}{8}$			
2	D		1	x1f	PL $\frac{1}{4} \times 3 \frac{1}{2}$	1	$\frac{1}{8}$	(M270-36)		

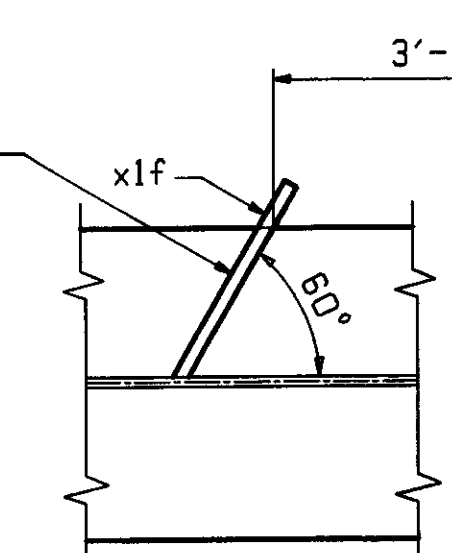


ONE - GIRDER - IG1A

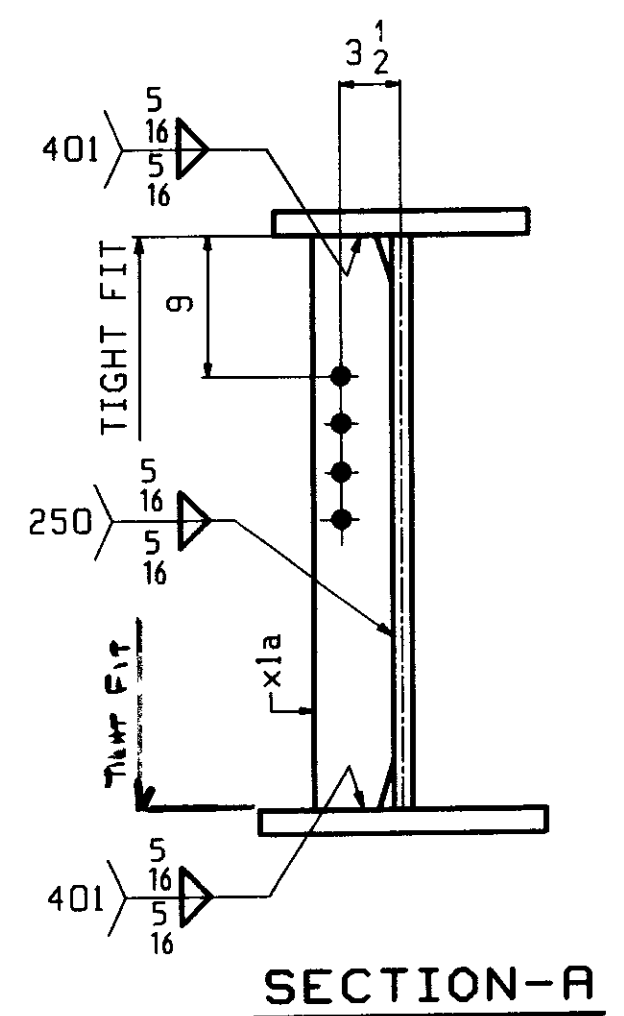
FOR GIRDER STANDARD DETAILS SEE DRAWING XI.
 FOR CAMBER DIAGRAM SEE DRAWING C1.
 FOR GENERAL NOTES SEE DRAWING GNI.
 H2-3 DENOTES MATERIAL SUBJECT TO CHARPY V-NOTCH TESTING.

SEAL WELD ALL AROUND
 TIGHT FIT TO FLANGE
 (TYP 401)

OK.
 ENGR.
 PLEASE VERIFY



SECTION BA



SECTION A-A

OUT FOR APPROVAL	5-24-07										
OUT FOR APPROVAL											
ISSUED TO SHOP											
FIELD & OFFICE											
REV.	REMARKS	DATE	DWN	CHK	APP	Q.A.	NO.	DIA.	LGT	TYPE	WASHER
	MATERIAL (UN)-	ELECTRODES									SHOP BOLTS
	M270 GR. 50										NONE
	SURFACE PREP & PAINT-										
	SEE PRINT NOTES ON DWG GNI										
DESCRIPTION:		GIRDER - IG1A				DRAWN BY		DATE			
JOB:		VT. ROUTE 15 OVER THE GIHON RIVER				WR		05/17			
		BRIDGE NO 37				CHKD BY					
		TOWN OF JOHNSON, VT. (LAMOLLE COUNTY)				DO		05/21			
						APPROV BY					
						SUPERVISOR		M. J. GATTI			
PROJ NO.		BRF 030-2(17)S									
CUSTOMER.		VT. R.O.T.									
CASCO BAY STEEL STRUCTURES, INC.		JOB NO.		DRG. NO.							
75 SPRING HILL ROAD		323		1							
PHONE (207) 282-7360											
SACO, MAINE 04072											
FAX. (207) 282-1179											

RECEIVED
 CKD BY elo OK'D BY _____
 JUN 01 2007
 RESUBMIT _____ APPROVED MSW
 BY WY DATE _____