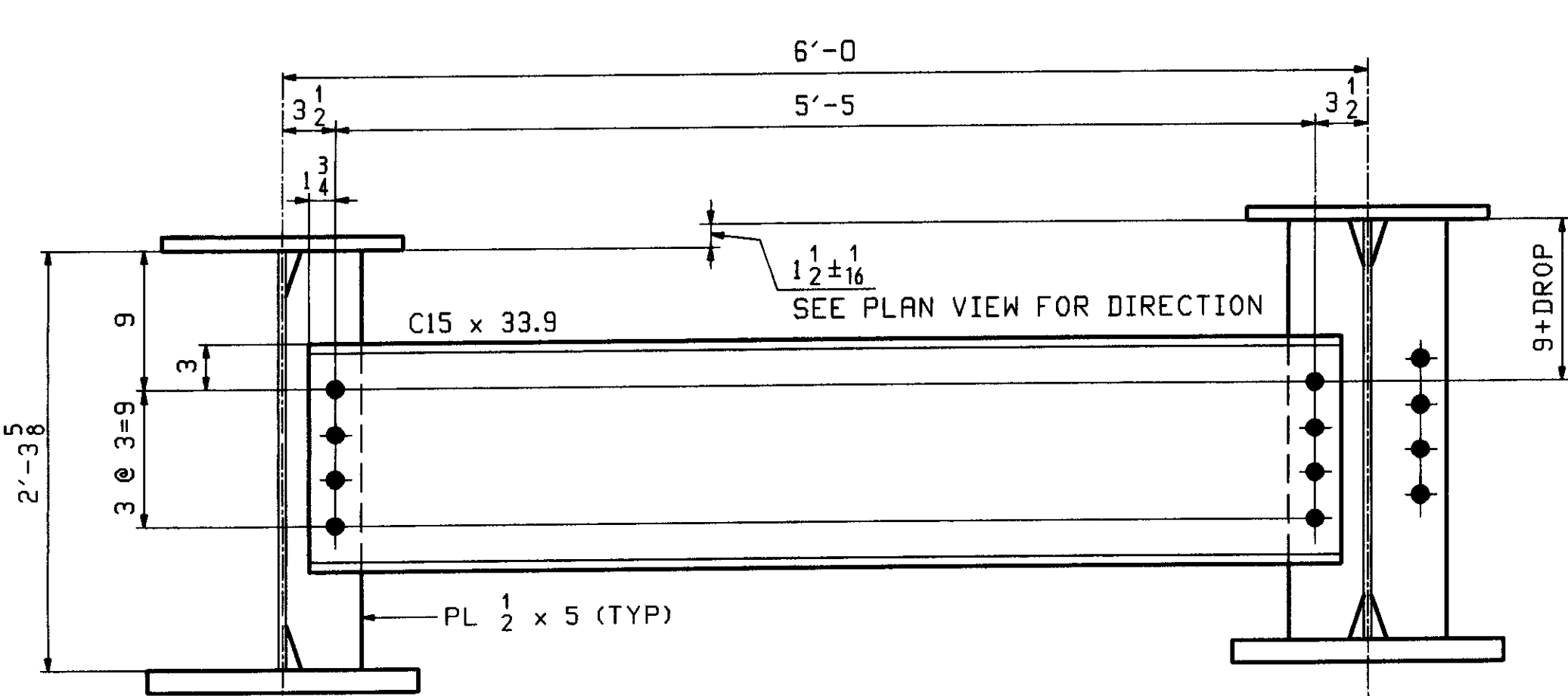


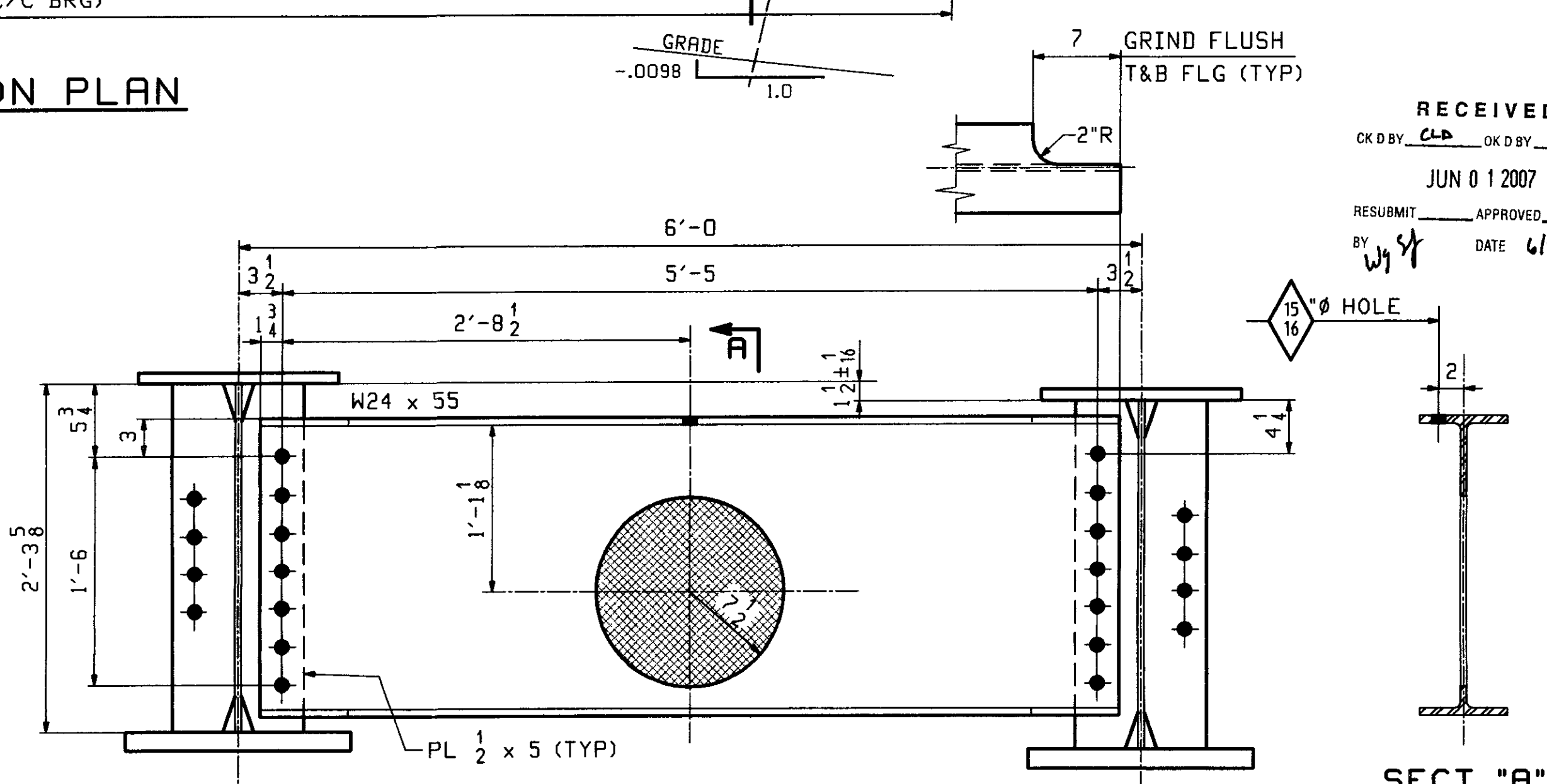
CALCULATION PLAN

**** NOTE ****
 THE PURPOSE OF THIS DRAWING IS TO COORDINATE GEOMETRIC CONTROL INFORMATION. THIS DWG IS SUBMITTED FOR INFORMATION ONLY AND IS NOT INTENDED FOR SHOP FABRICATION.

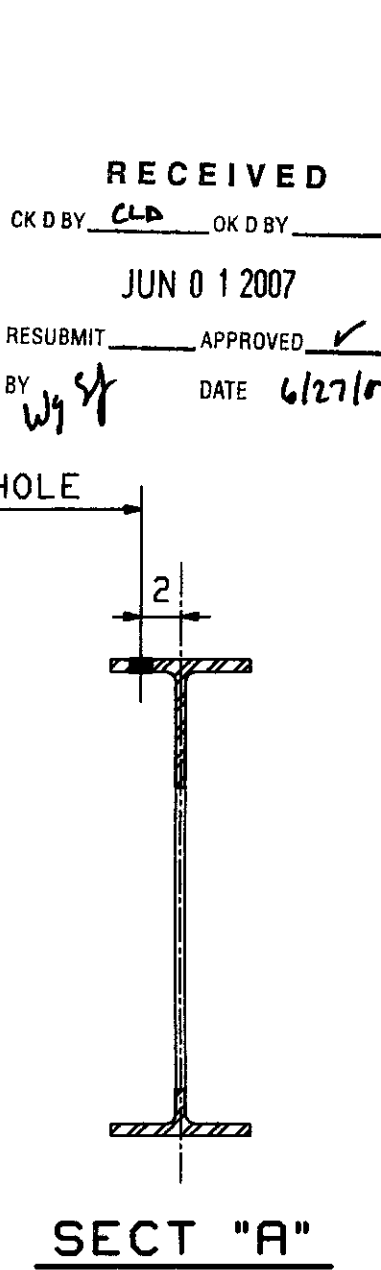
- NOTES
- 1 LONGITUDINAL DIMENSIONS ARE SLOPING ALONG BOTTOF WEB WITH CORRECTIONS MADE FOR VERTICAL CURVE, GRADE & DL CAMBER (UN)
 2. TRANSVERSE DIMENSIONS ARE IN A HORIZ. PLANE (UN).
 3. DROP ARROW POINTS TOWARDS LOW END OF MEMBER.
 4. ENDS OF GIRDERS AND BRG. STIFF'S ARE VERTICAL AFTER DL ROTATION.
 5. DIAPH CONN STIFFENERS ARE NORMAL TO GRADE.
 6. BOTTOF PT NUMBERS = TOP PT NUMBERS + 200.
 7. COMBINE INT CROSSFRAMES FOR DIFF IN DROPS OF +/- 1/16
 8. CROSSFRAME DROPS ARE CALCULATED IN THEIR FINAL POSITION.



TYP. INT DIAPHRAGM
 LOOKING BACK STATION



INT DIAPHRAGM @ WATERLINE
 LOOKING BACK STATION



SECT "A"

OUT FOR APPROVAL	5/24/07								
OUT FOR APPROVAL									
ISSUED TO SHOP									
FIELD & OFFICE									

REV.	REMARKS	DATE	DWN	CHK	APP	Q.A.	NO.	DIA.	LGT	TYPE	WASHER
MATERIAL (UN.)	ELECTRODES	HOLES									SHOP BOLTS
M270 GR. 50		15 16 Ø (UN)									

SURFACE PREP & PAINT.
 SEE PAINT NOTES ON DWG GNI

DESCRIPTION:	CALCULATION PLAN	DRAWN BY	WL	DATE	05/11
JOB:	VT ROUTE 15 OVER THE GIHON RIVER	CHKD BY	PCP	DATE	05/14
	BRIDGE NO 37	APPROV BY			
	TOWN OF JOHNSON, VT (LAMOILLE COUNTY)	SUPERVISOR	M. J. GATTI		

PROJ NO.	BRF 030-2(17)S	Q.A.	
CUSTOMER:	VT R.O.T		
CASCO BAY STEEL STRUCTURES, INC.	JOB NO. 323	DRG. NO. WSI	REV. 1
75 SPRING HILL ROAD PHONE (207) 282-7360	SACO, MAINE 04072 FAX. (207) 282-1179		

Date: May 15, 2007 12:33:38 PM
 User: jshar/2716/MSI Rev: 0