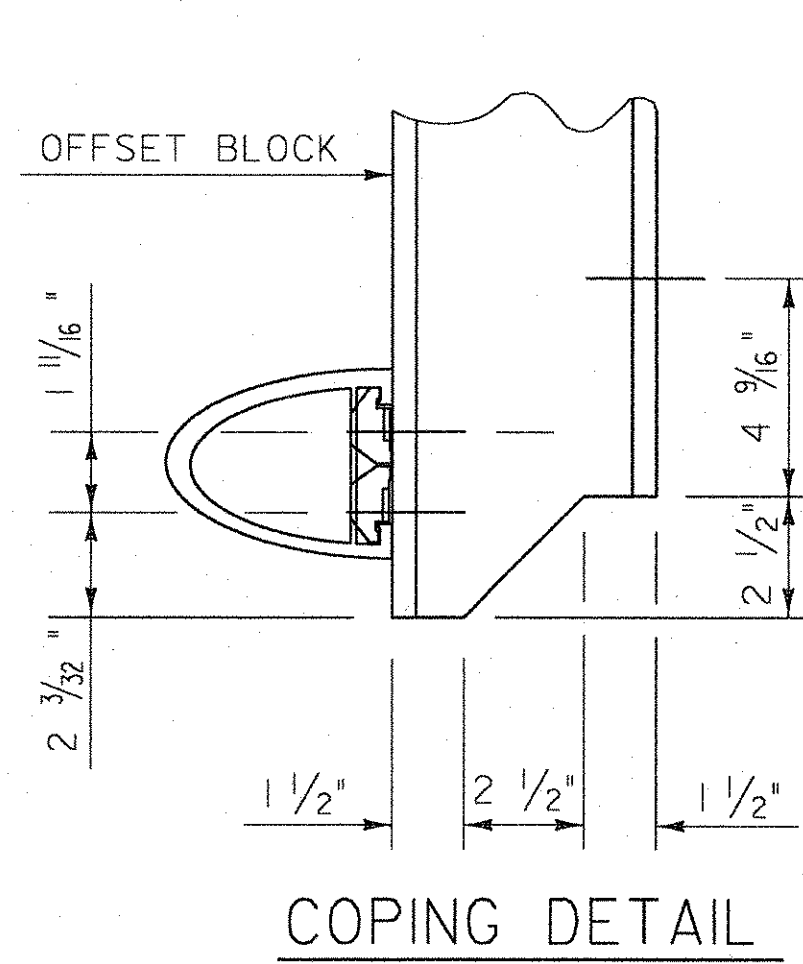
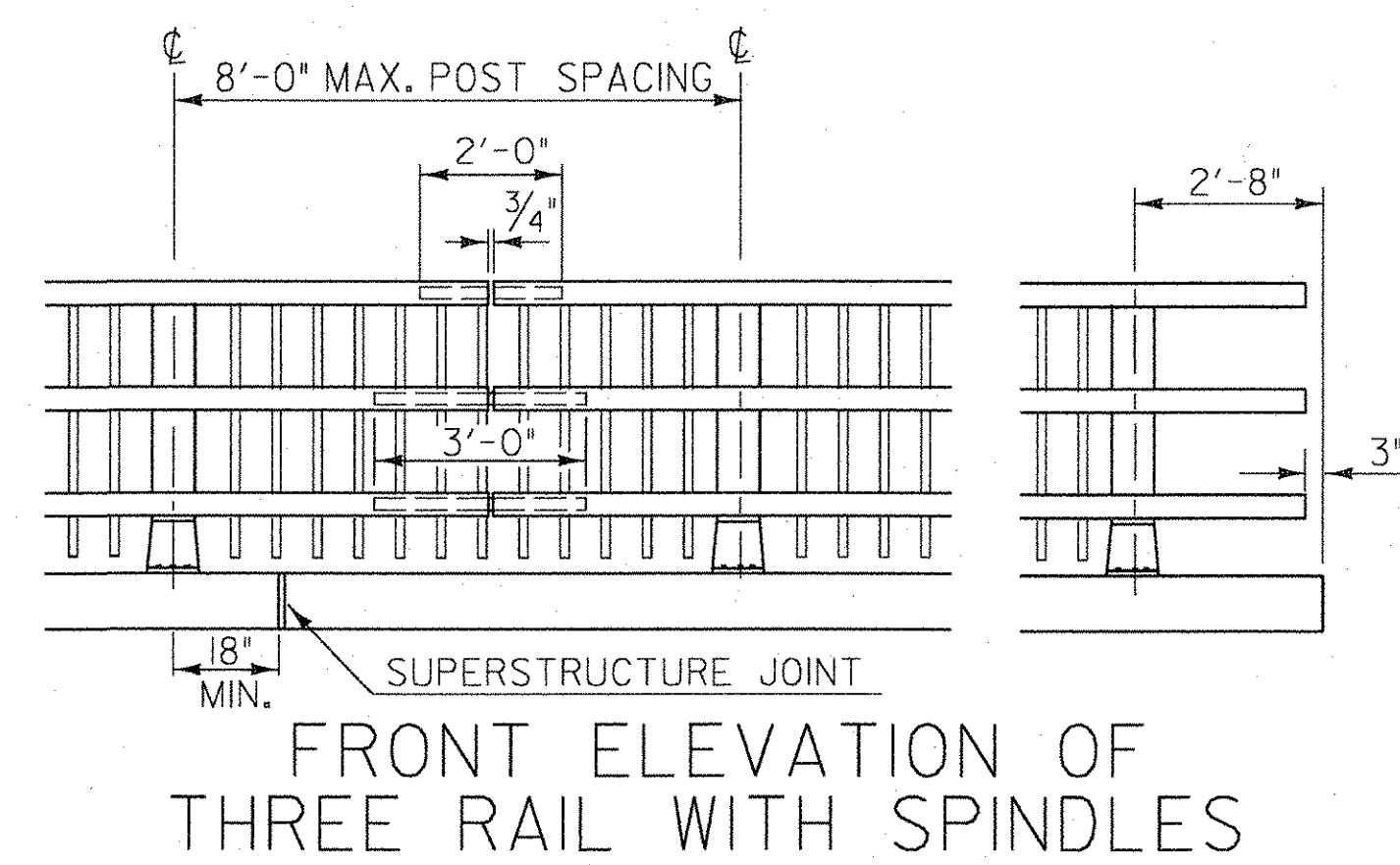


POST SIDE VIEW

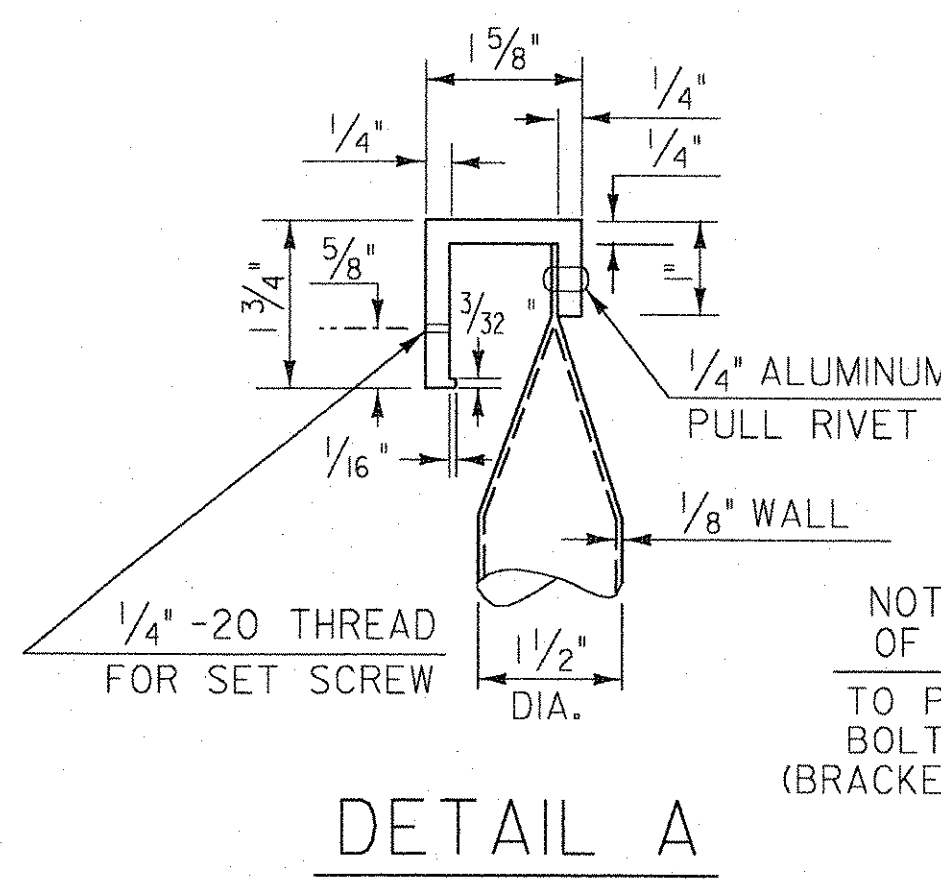


COPING DETAIL

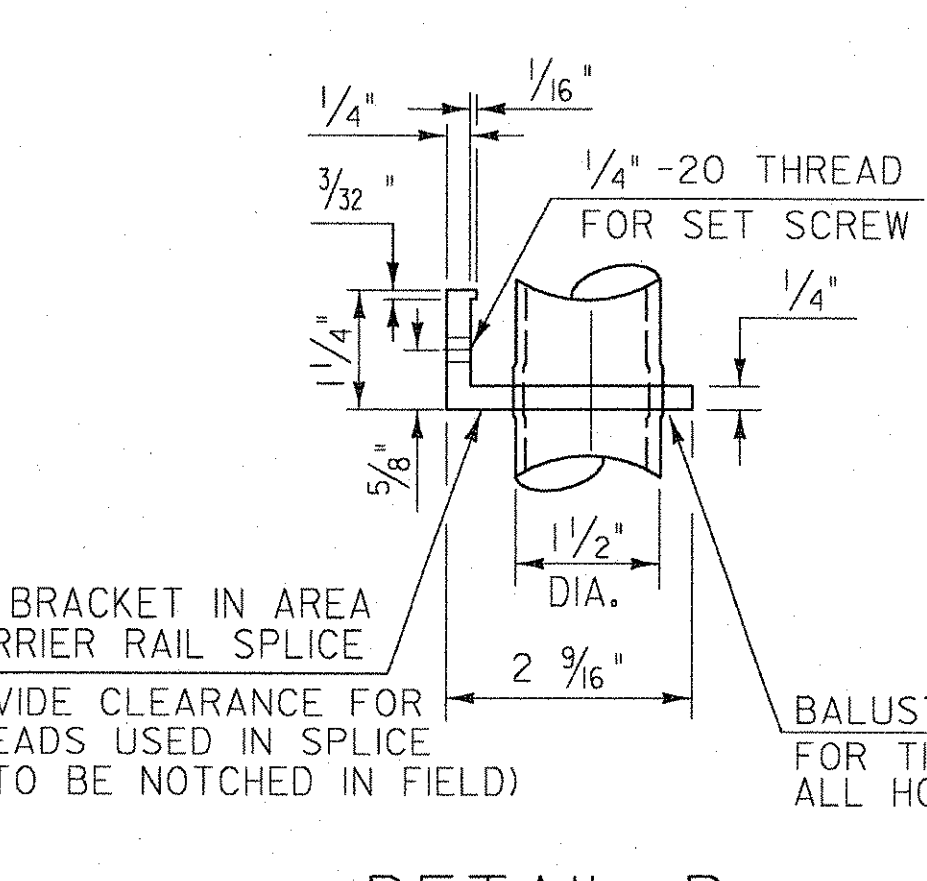


FRONT ELEVATION OF THREE RAIL WITH SPINDLES

NOTE: RAIL POSTS ARE TO BE SET NORMAL TO GRADE UNLESS OTHERWISE DESIGNATED ON BRIDGE PLANS. ALL DIMENSIONS ARE TYPICAL UNLESS OTHERWISE DESIGNATED ON BRIDGE PLANS.



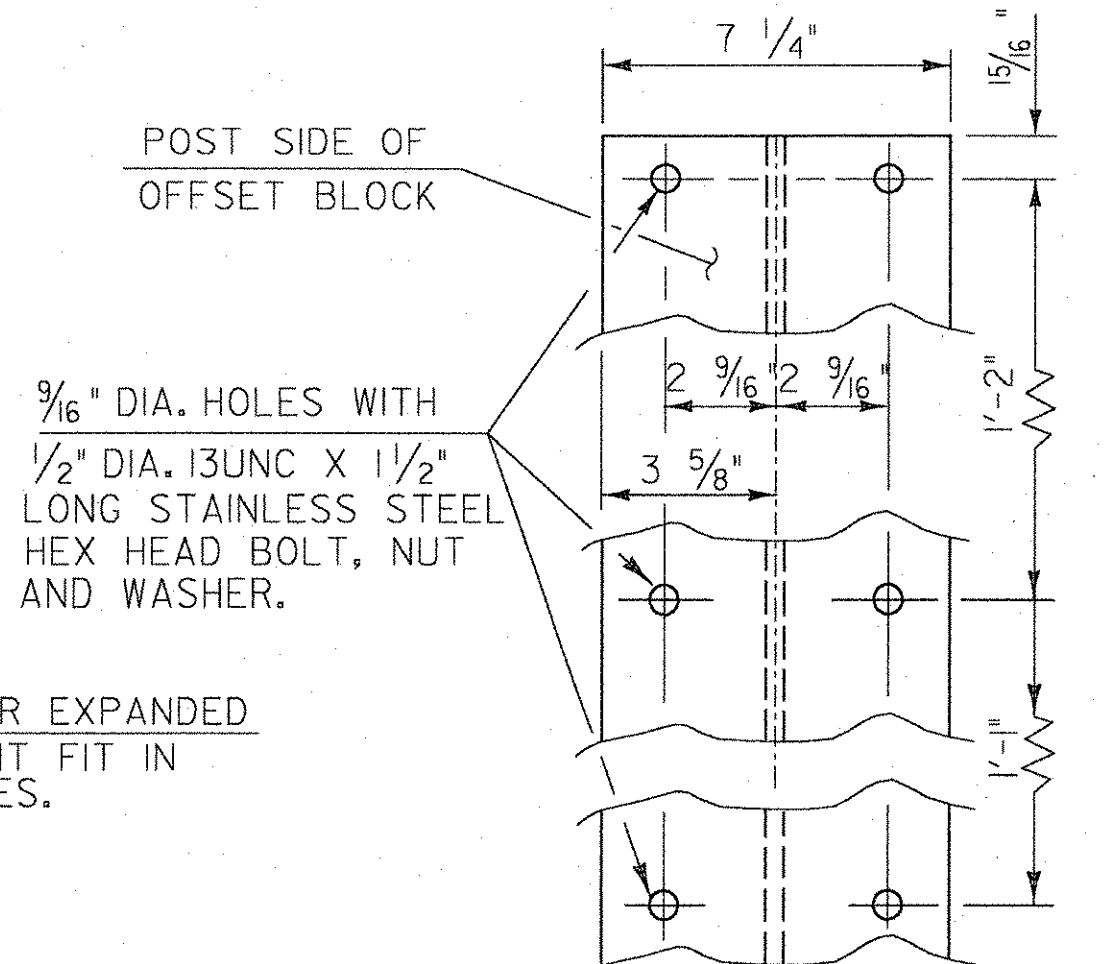
DETAIL A



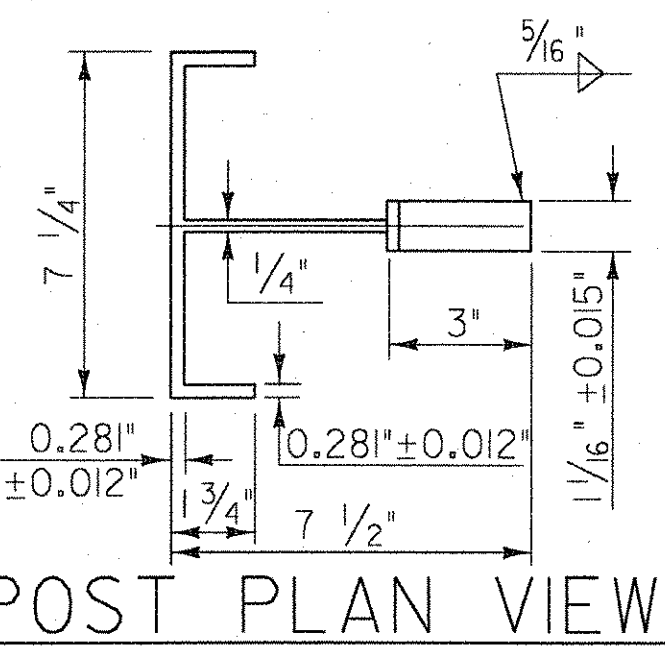
DETAIL B

NOTCH BRACKET IN AREA OF BARRIER RAIL SPLICE TO PROVIDE CLEARANCE FOR BOLT HEADS USED IN SPLICE (BRACKET TO BE NOTCHED IN FIELD)

BALUSTER EXPANDED FOR TIGHT FIT IN ALL HOLES.



OFFSET BLOCK CONNECTION



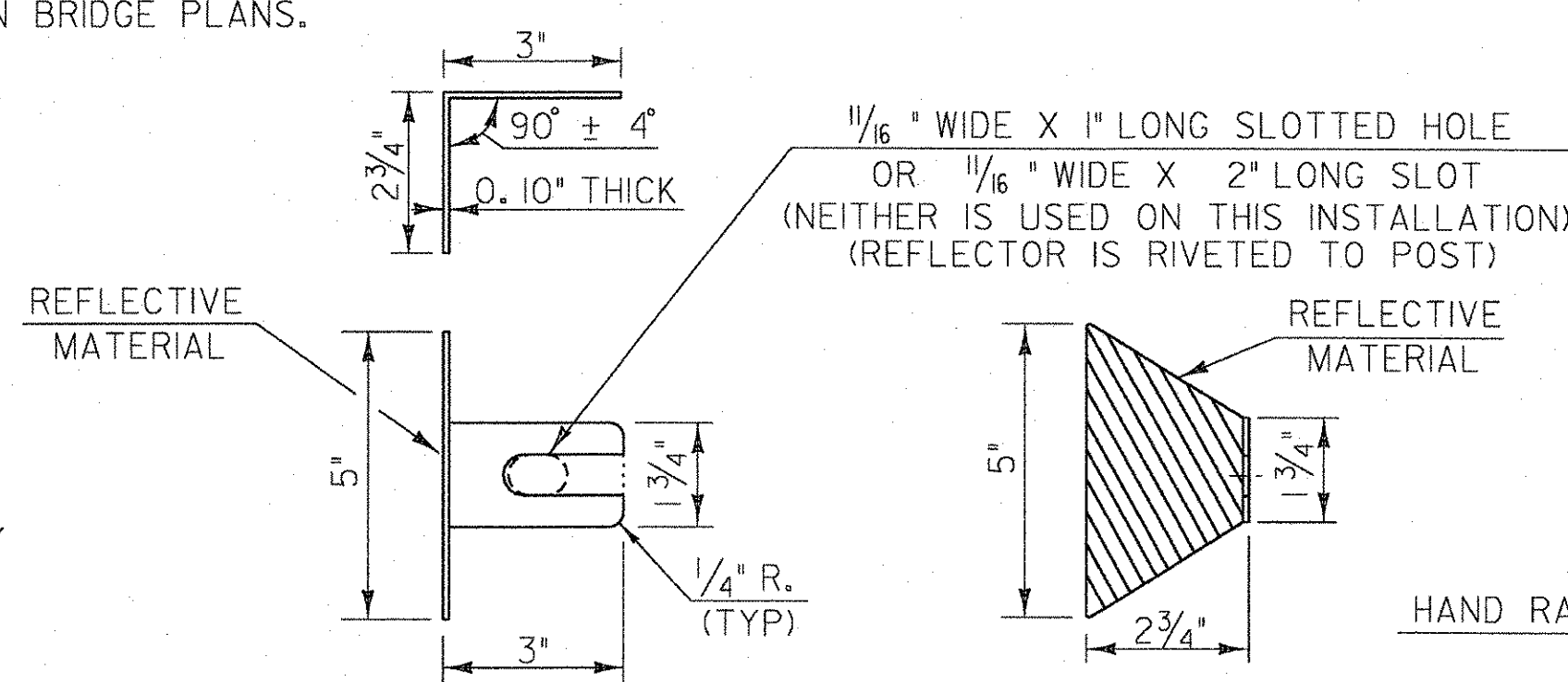
POST PLAN VIEW

THIS REFLECTORIZED ALUMINUM DELINEATOR IS TO BE ERECTED EVERY 30 FEET (OR CLOSEST POST) WITH 2 NO. 8 X 3/4" SELF-TAPPING SCREWS.

DELINEATORS SHALL MEET SPECIFICATION REQUIREMENTS FOR ASTM B209 ALLOY 5052-H32.

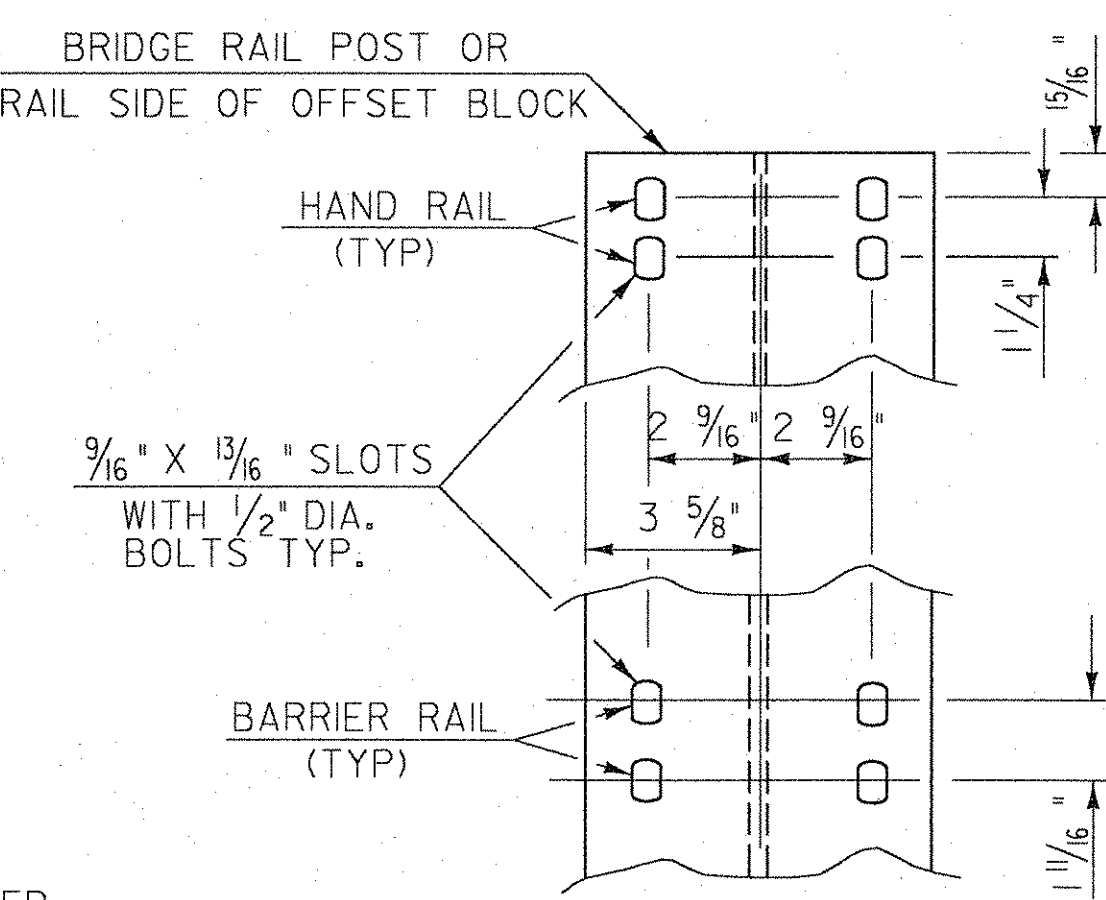
REFLECTIVE MATERIAL SHALL MEET THE REQUIREMENTS OF SUBSECTION 750.08 AND SHALL BE OF ENCAPSULATED LENS SILVER OR AMBER. AMBER IS TO BE INSTALLED ON THE DRIVER'S LEFT AND SILVER ON THEIR RIGHT.

ON BRIDGES WITH A SIDEWALK, DELINEATORS ARE NOT TO BE INSTALLED ON THE SIDEWALK SIDE OF THE BRIDGE (I.E. DELINEATORS INSTALLED ONLY ON THE CURB SIDE AND ON THE APPROACH RAIL ON THE CURB SIDE) PAYMENT SHALL BE SUBSIDIARY TO ALL OTHER ITEMS.

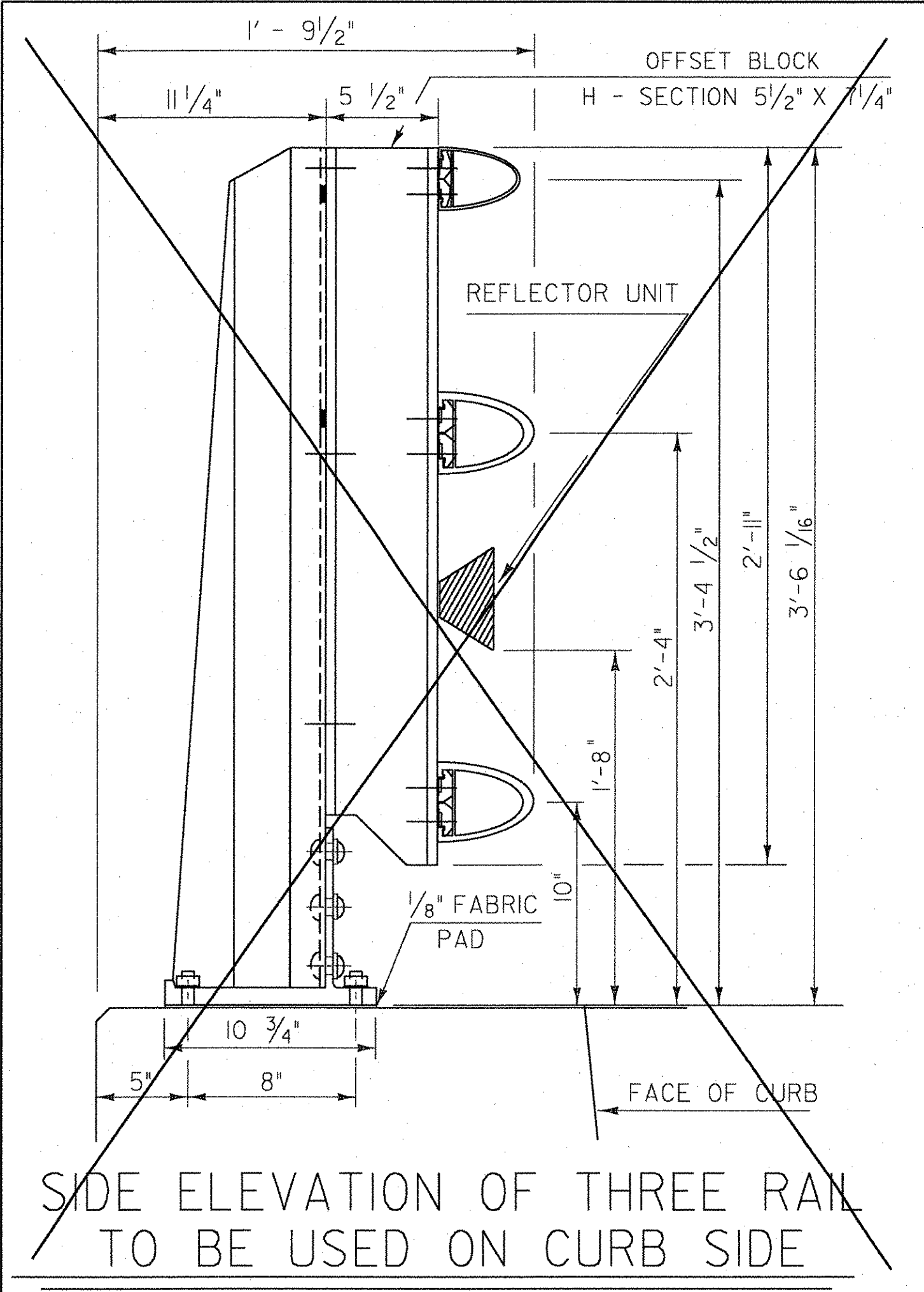


REFLECTOR DETAILS

ALLOWABLE STRESSES:  
RAILING: 21,000 PSI TENSION  
22,000 PSI COMPRESSION  
POSTS: 17,000 PSI TENSION  
19,000 PSI COMPRESSION

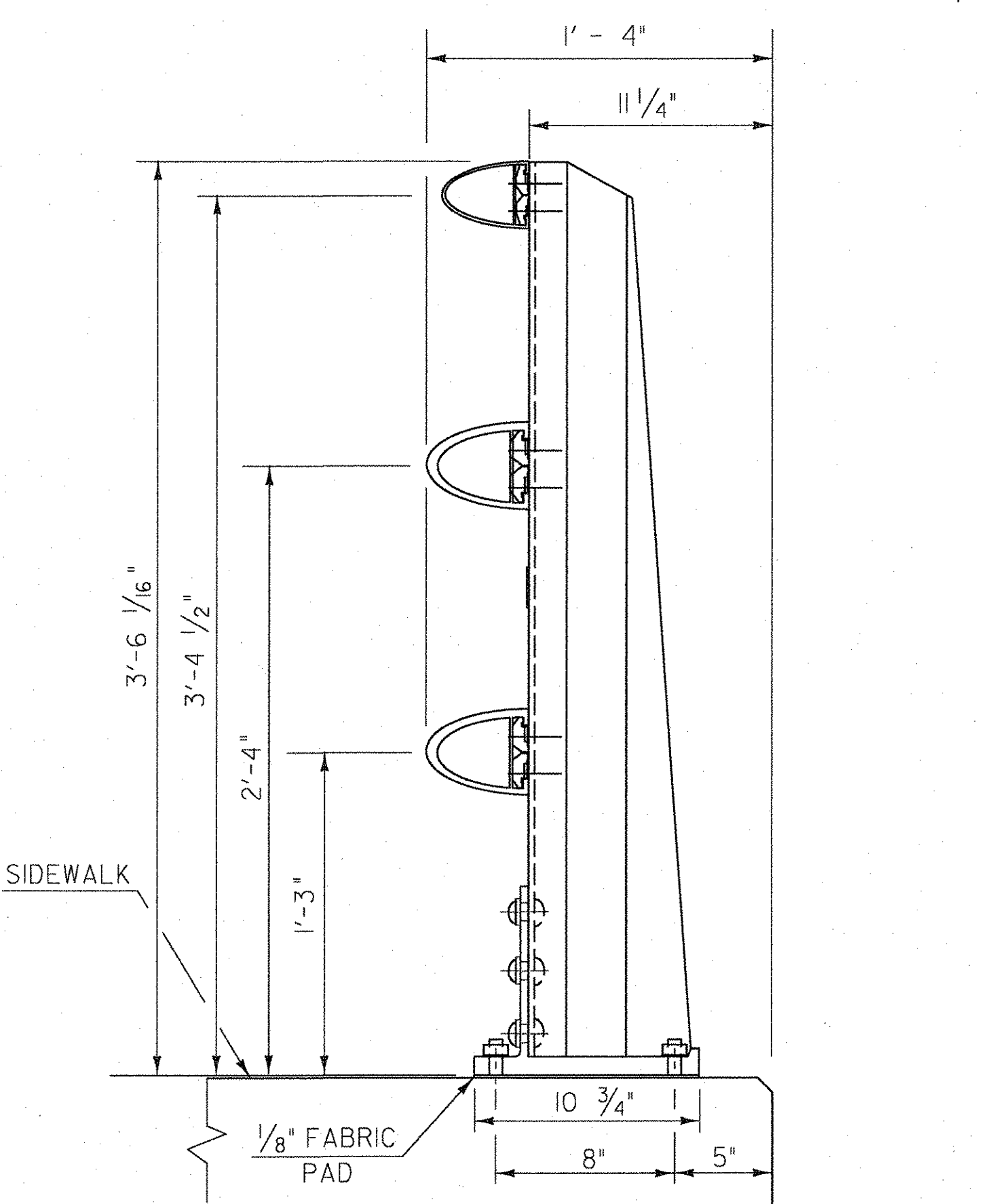


RAIL CONNECTION

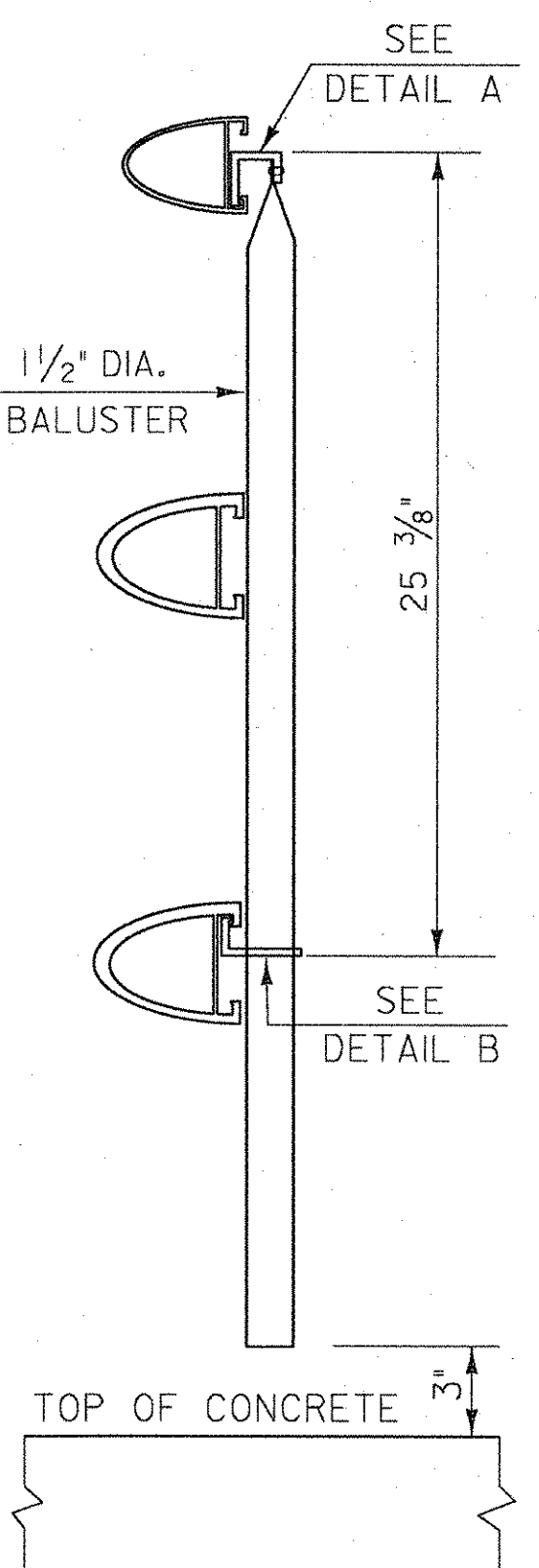


SIDE ELEVATION OF THREE RAIL TO BE USED ON CURB SIDE

RAIL POST DETAILS ON SUPERSTRUCTURE

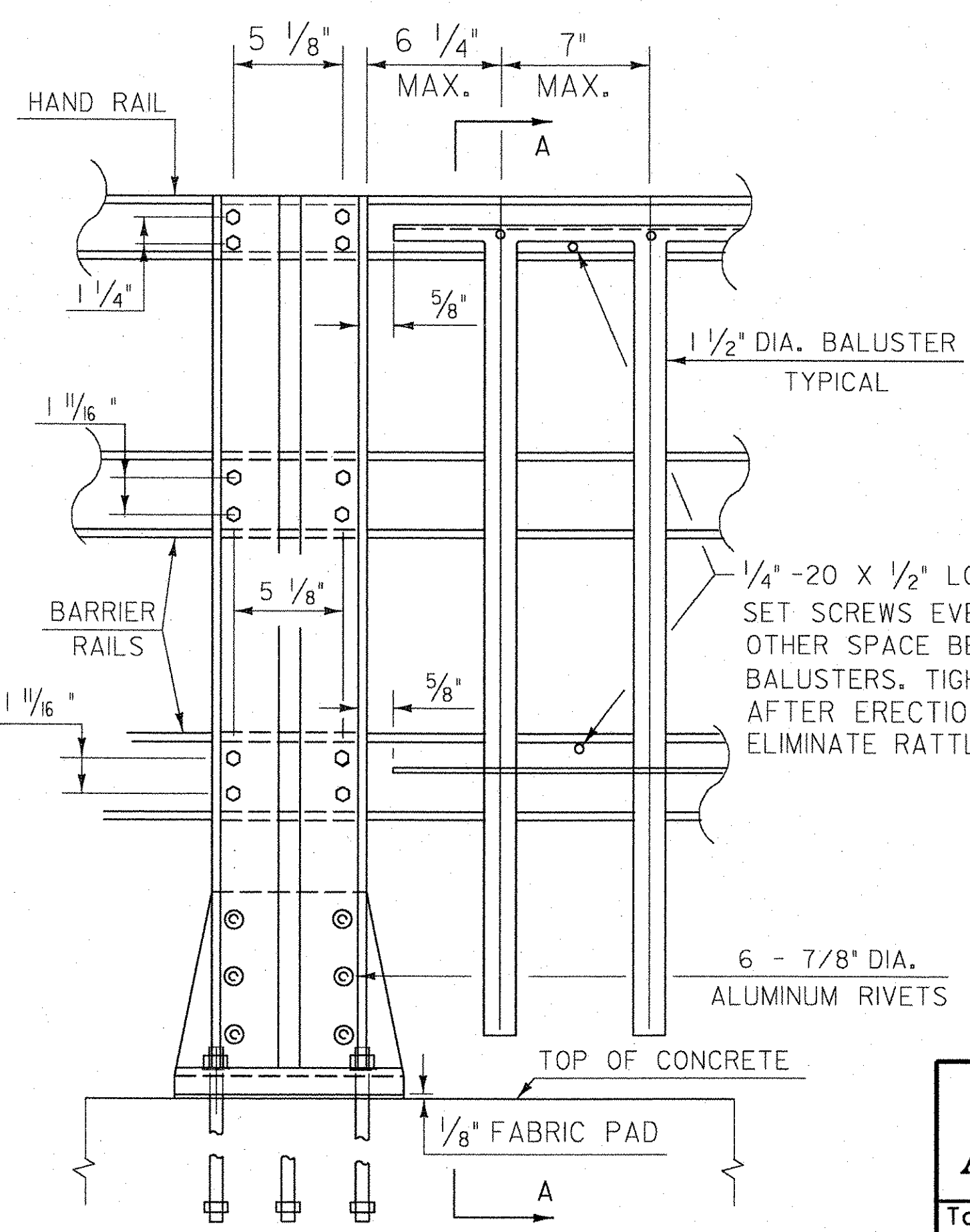


SIDE ELEVATION OF THREE RAIL TO BE USED ON SIDEWALK SIDE

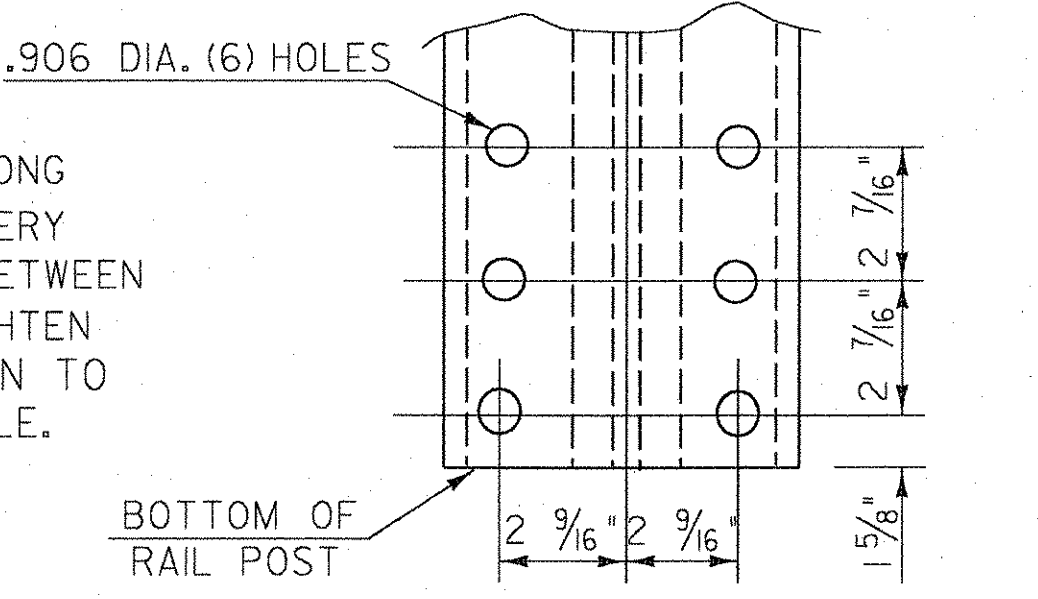


SECTION AA

DETAILS OF SPINDLES FOR ALUMINUM RAILING



OUTSIDE ELEVATION OF THREE RAIL POST & SPINDLES



POST BASE BOLT HOLE DETAILS

<b>STATE OF VERMONT AGENCY OF TRANSPORTATION</b>			
Town Of	JOHNSON	Bridge No.	37
Highway No.	VT ROUTE 15	Log Sta.	
		Surv. Sta.	
VT ROUTE 15 OVER THE GHON RIVER			
<b>ALUMINUM BRIDGE RAILING DETAILS</b>			
Designed By	VTRANS	Drawn By	VTRANS
Checked By	Date	Bridge Design Supervisor	
		J. BYATT	Date 11/06
PROJECT	JOHNSON	PROJECT NO.	BRF 030-2(17)S
I.C.C. Info.			
Bridge Sheet No.		Sheet 57	of 85