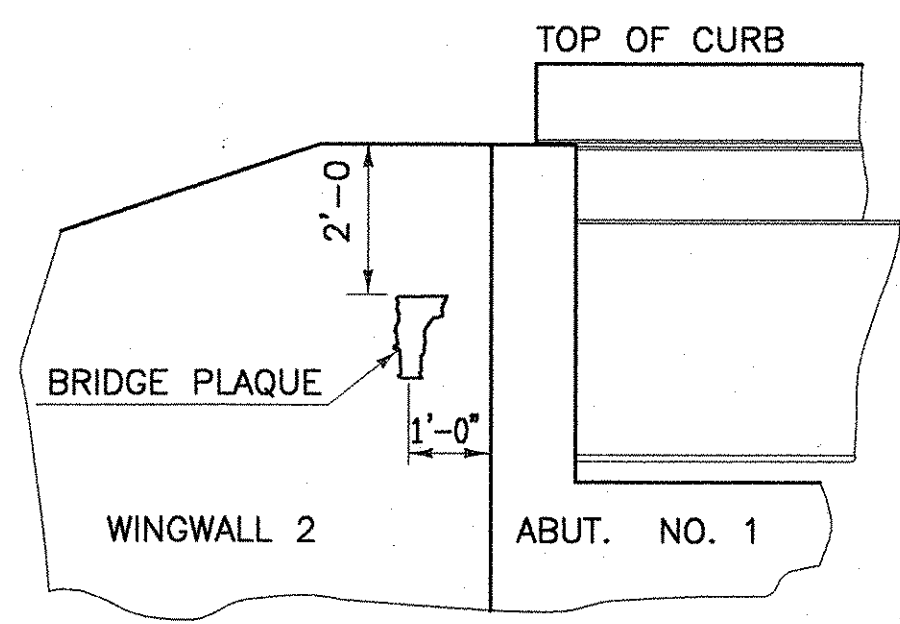


NOTE: REMOVAL OF PAVEMENT FOR PLACEMENT OF PHASE IV SIDEWALK TO BE SUBSIDIARY TO ITEM 406.25 BITUMINOUS CONCRETE PAVEMENT.

PHASE I - II CONSTRUCTION JOINT

(UPON COMPLETION OF PHASE II)
SCALE: 1" = 1'-0"



ELEVATION

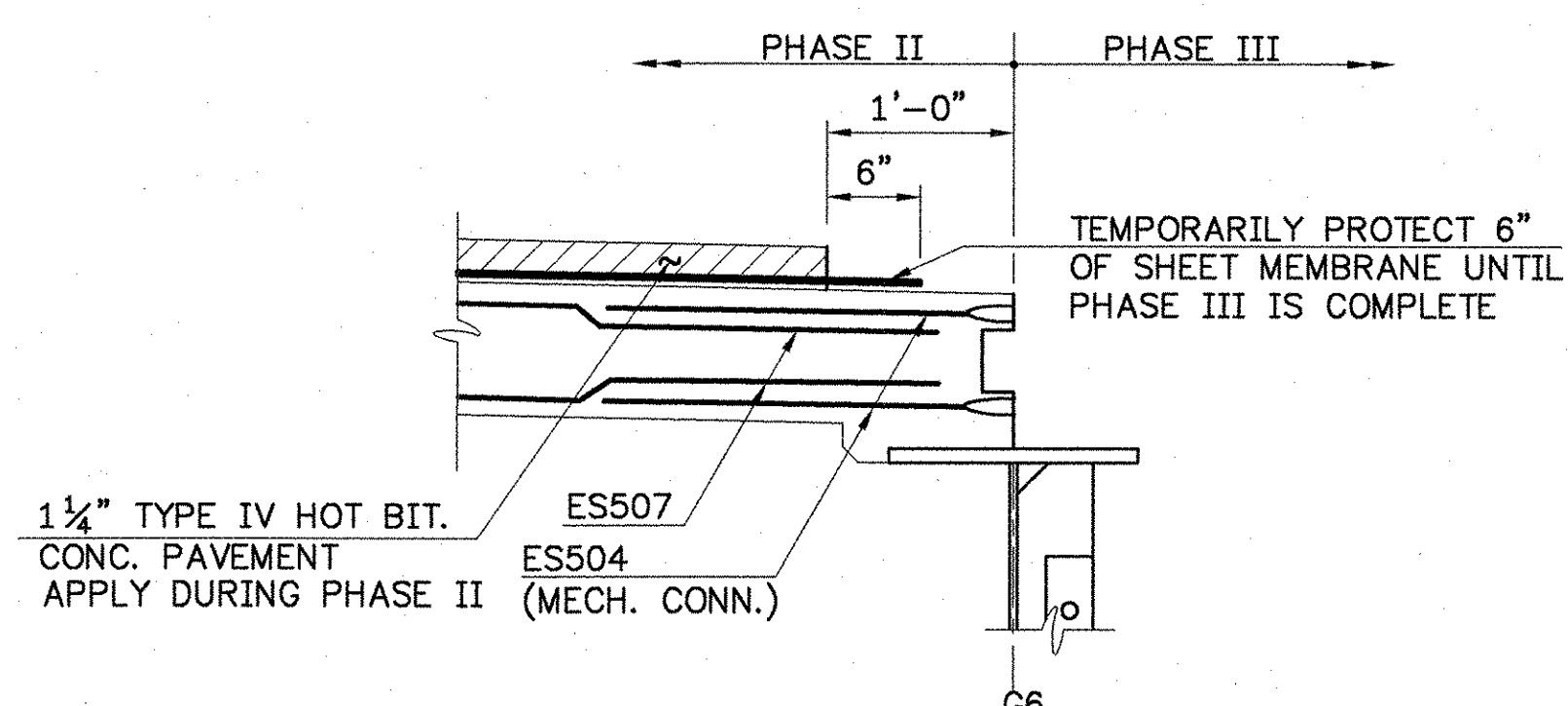
NOT TO SCALE

LOCATE BRIDGE PLAQUE

THE BRIDGE PLAQUE WILL BE SUPPLIED BY THE AGENCY OF TRANSPORTATION AND SHALL BE INSTALLED BY THE CONTRACTOR AT ABUTMENT NO. 1 ON THE RIGHT SIDE AS SHOWN OR AS DIRECTED BY THE ENGINEER. (DETAILS ABOVE ARE NOT MEANT TO BE SITE SPECIFIC)

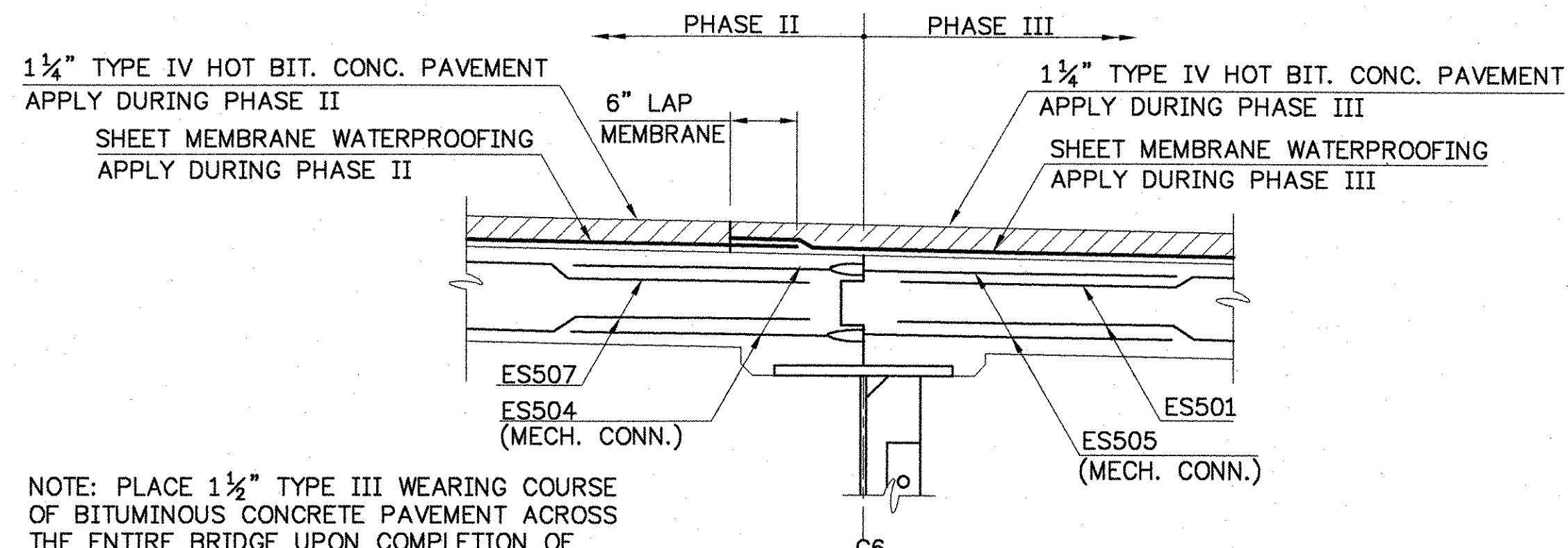
NOTES:

- SHEET MEMBRANE WATERPROOFING, TORCH APPLIED SHALL EXTEND FROM FACE OF CURB TO FACE OF CURB AND UP FACE OF CURB TO TOP OF EPOXY MORTAR. SEE SHEET 55 OF 85 FOR DETAIL. ALTERNATES FOR MEMBRANE AT THE PHASE IV SIDEWALK CURB MAY BE USED PER APPROVAL OF THE ENGINEER.



PHASE II - III CONSTRUCTION JOINT

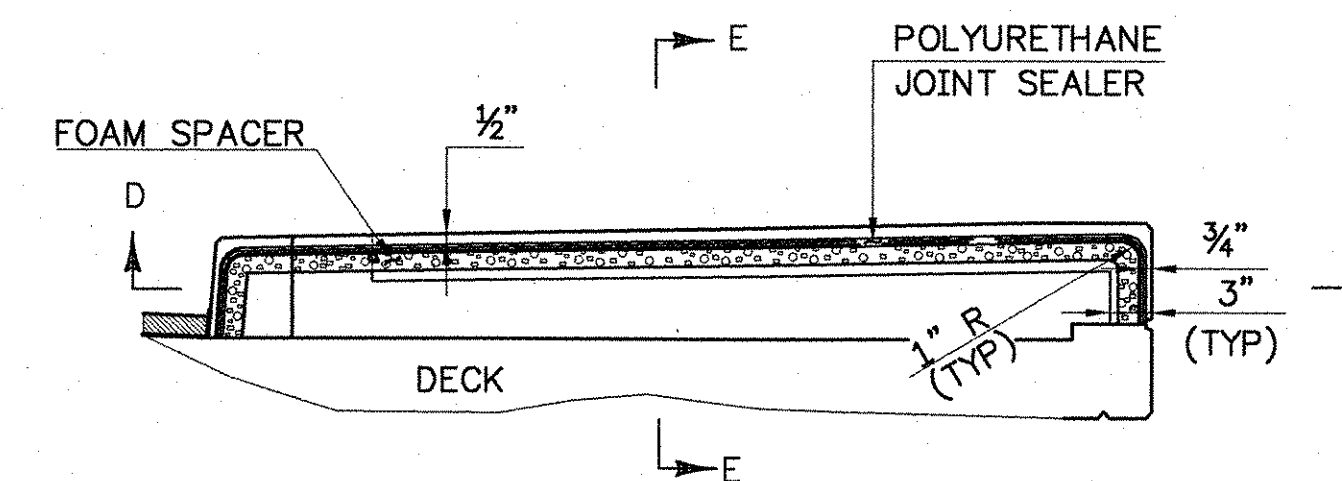
(UPON COMPLETION OF PHASE II)
SCALE: 1" = 1'-0"



PHASE II - III CONSTRUCTION JOINT

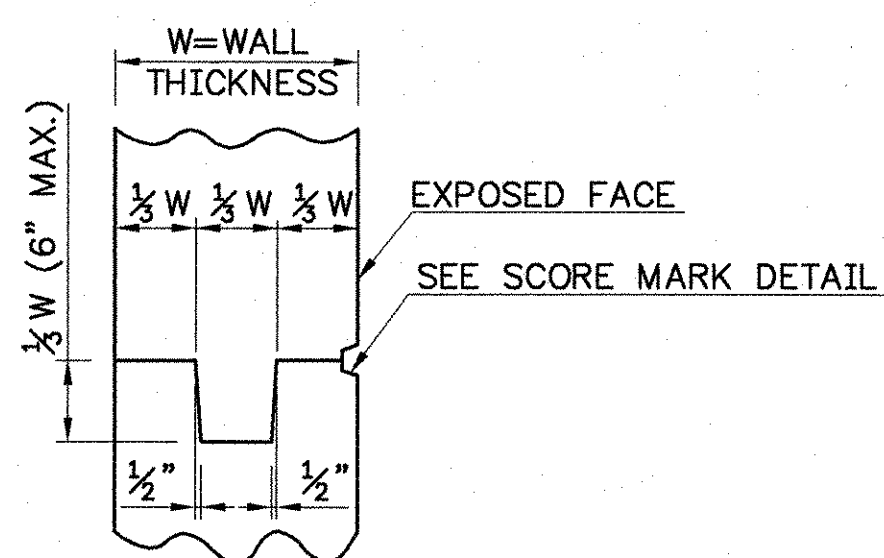
(UPON COMPLETION OF PHASE III)
SCALE: 1" = 1'-0"

NOTE: PLACE 1 1/2" TYPE III WEARING COURSE OF BITUMINOUS CONCRETE PAVEMENT ACROSS THE ENTIRE BRIDGE UPON COMPLETION OF PHASE IV SIDEWALK.



TYPICAL SECTION THROUGH SIDEWALK JOINT BETWEEN BRIDGE AND ROADWAY SIDEWALK

NOT TO SCALE

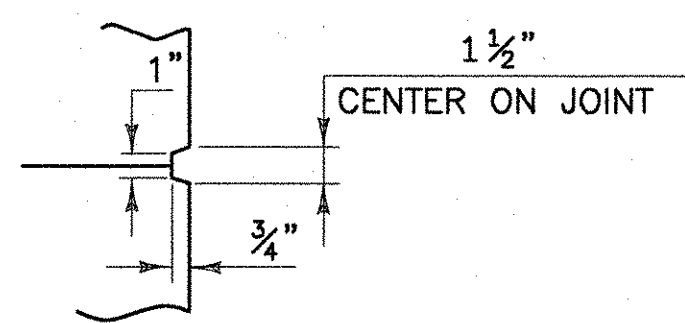


TYPICAL CONCRETE CONSTRUCTION JOINT

N.T.S.

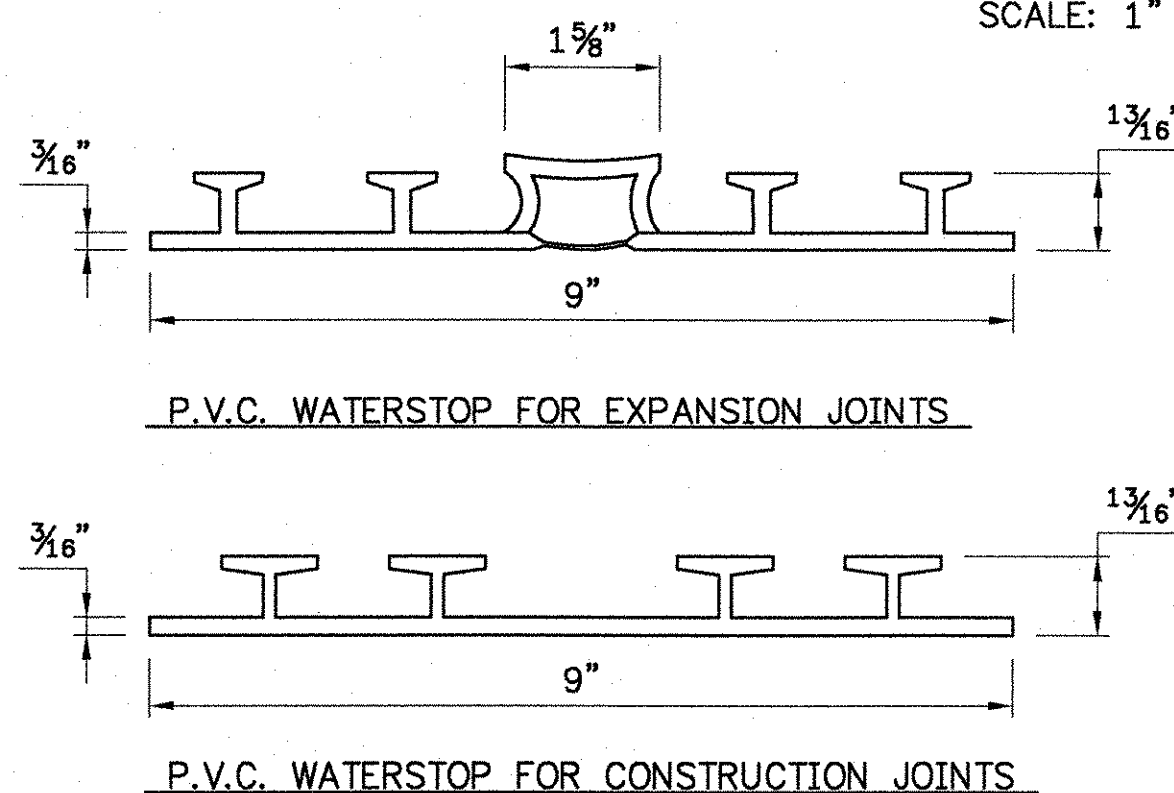
NOTE:

WHERE "CONSTRUCTION JOINT" IS DESIGNATED ON THE DRAWINGS, PROVIDE A CONSTRUCTION JOINT AND SCORE MARK. WHERE "SCORE MARK" IS DESIGNATED ON THE DRAWINGS, PROVIDE A SCORE MARK WITHOUT CONSTRUCTION JOINT, FOR RUSTICATION ONLY.



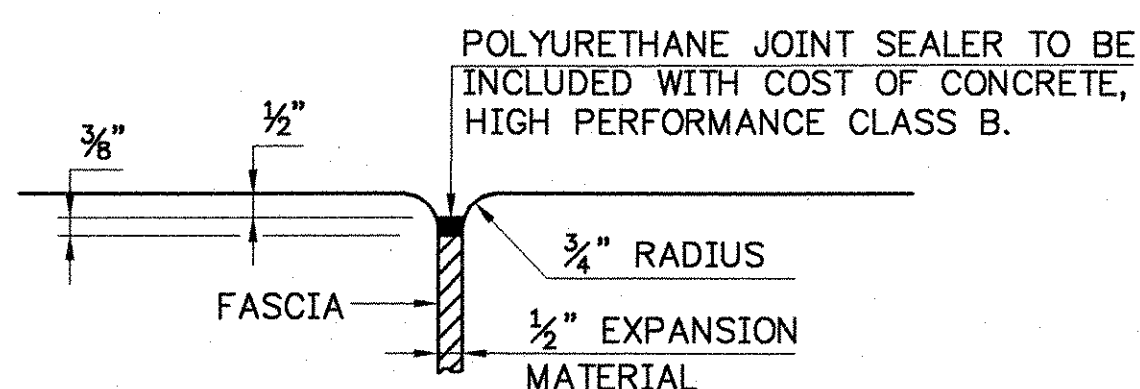
SCORE MARK DETAIL

NOT TO SCALE



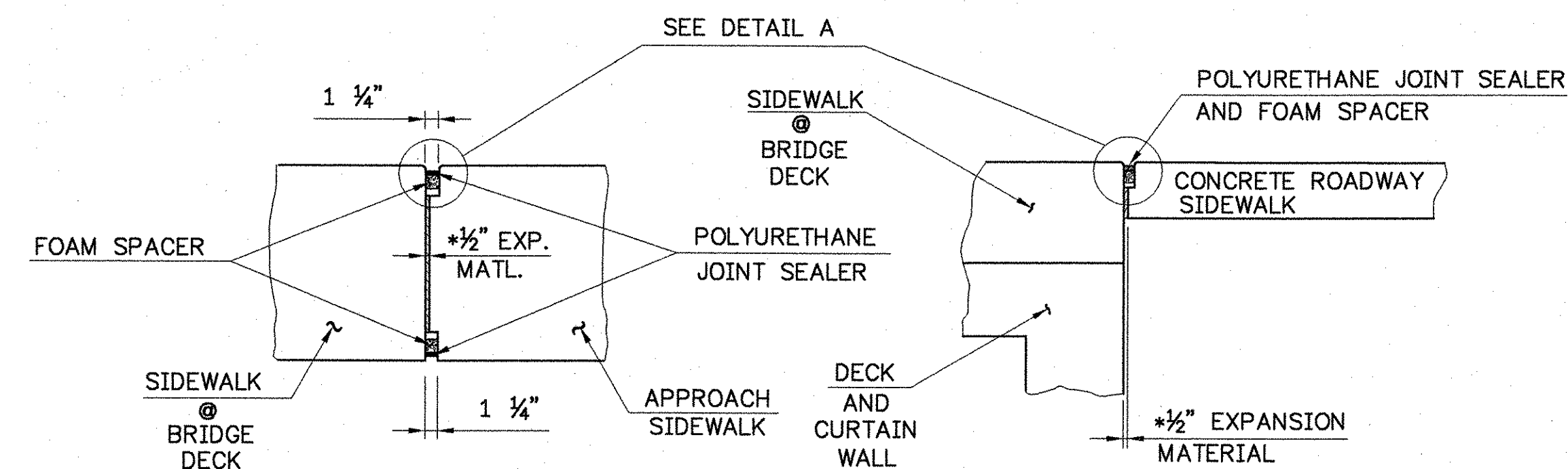
P.V.C. WATERSTOPS

THE COST FOR P.V.C. WATERSTOPS SHALL BE INCLUDED IN THE UNIT PRICE BID FOR CONCRETE, HIGH PERFORMANCE CLASS A. OTHER CONFIGURATIONS MAY BE USED UPON APPROVAL OF THE STRUCTURES ENGINEER.



JOINT BETWEEN FASCIA AND WINGWALL

NOT TO SCALE



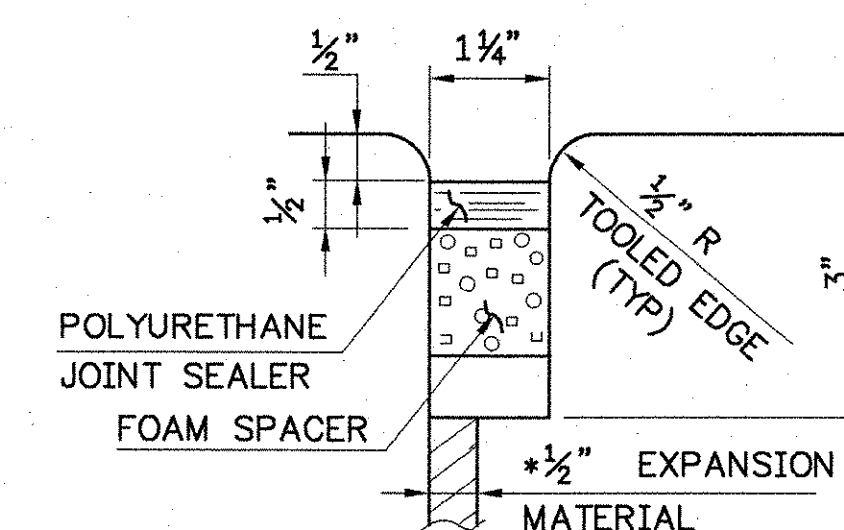
SECTION D - D

NOT TO SCALE

SECTION E - E

NOT TO SCALE

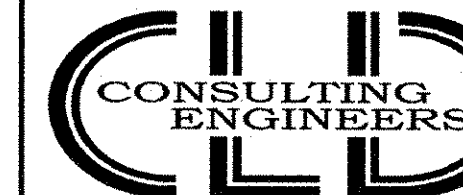
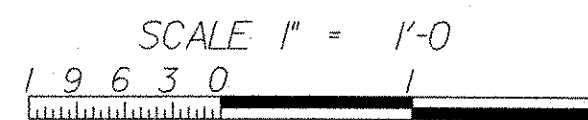
* FIXED END JOINT SHOWN USE 1 1/2" EXP. MATERIAL AT EXP. END



DETAIL "A"

NOT TO SCALE

FOR DETAILS OF POLYURETHANE JOINT SEALER AND FOAM SPACER SEE SUBSECTION 524.06



540 Commercial Street • Manchester, NH 03101
(603) 668-8223 • Fax: (603) 668-8802
cld@cldeengineers.com • www.cldeengineers.com
Maine • New Hampshire • Vermont

STATE OF VERMONT AGENCY OF TRANSPORTATION

Town Of	JOHNSON	Bridge No.	37
Highway No.	VT. ROUTE 15	Log Sta.	
		Surv. Sta.	
VT. ROUTE 15 OVER GIHON RIVER			
MISCELLANEOUS DETAILS (1 OF 2)			
Designed By	R.RICARD	Drawn By	D.DUGAL
Checked By	Date	Bridge Design Supervisor	
S. BEAUMONT	11/06	J. BYATT	Date 11/06
PROJECT	JOHNSON	PROJECT NO.	BRF 030-2(17)S
I.G.C. Info.			
Bridge Sheet No.		Sheet	54 Of 85