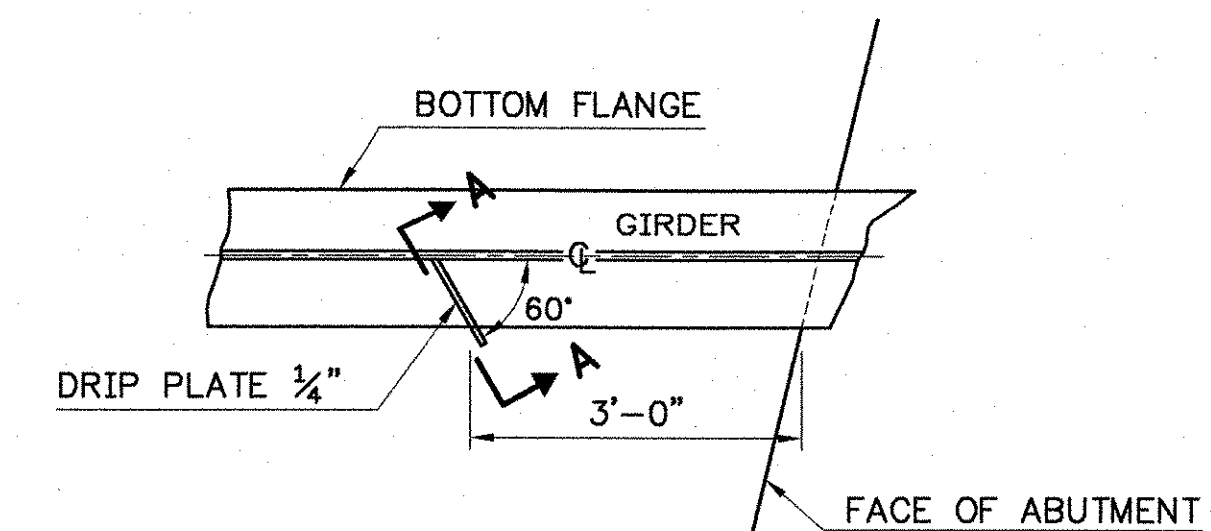
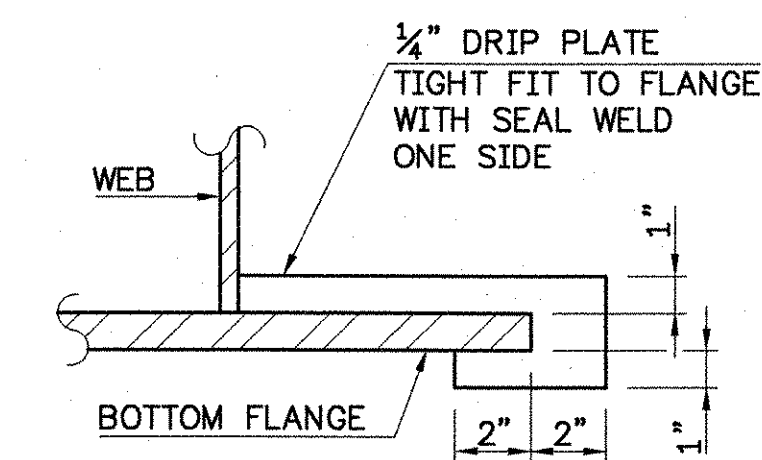


FRAMING PLAN
SCALE: 3/16" = 1'-0"

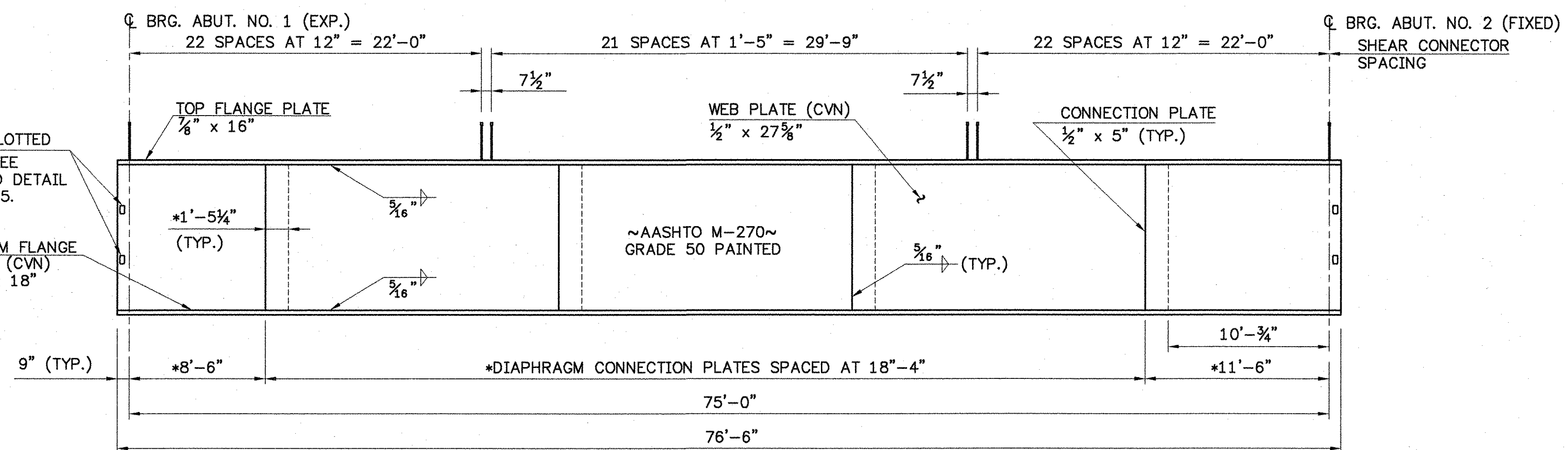


DRIP PLATE PLAN
NOT TO SCALE



SECTION A-A
NOT TO SCALE

NOTE:
DRIP PLATES SHALL BE PLACED ON OUTSIDE EDGE OF FASCIA GIRDERS ON THE HIGH SIDE OF ALL PIERS AND ABUTMENTS OR AS INDICATED ON PROJECT PLANS.



TYPICAL GIRDER ELEVATION
(LOOKING LEFT)

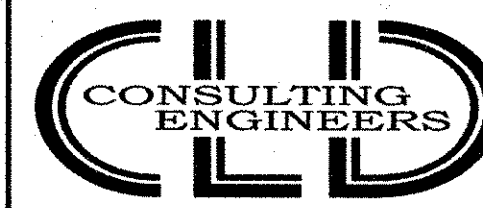
HORIZONTAL SCALE: 3/16" = 1'-0"
VERTICAL SCALE: 3/4" = 1'-0"

FABRICATION NOTE:
1. THE CHARPY V-NOTCH TEST WILL BE REQUIRED FOR ALL PLATES LABELED WITH CVN. SEE STANDARD SPECIFICATION 714 OF THE 2001 STANDARD SPECIFICATIONS.

SCALE 3/16" = 1'-0"
1 0 2 4 6 8

STATE OF VERMONT
AGENCY OF TRANSPORTATION

Town Of	JOHNSON	Bridge No.	37
Highway No.	VT. ROUTE 15	Log Sta.	
		Surv. Sta.	
VT. ROUTE 15 OVER GIHON RIVER			
FRAMING PLAN AND GIRDER ELEVATION			
Designed By	R.RICARD	Drawn By	D.DUGAL
Checked By	Date	Bridge Design Supervisor	Date
R.ROONEY	11/02	J. BYATT	11/06
PROJECT	JOHNSON	PROJECT NO.	BRF 030-2(17)S
I.G.C. Info.			
Bridge Sheet No.		Sheet	52 Of 85



540 Commercial Street • Manchester, NH 03101
(603) 668-8223 • Fax: (603) 668-8802
cld@cldeengineers.com • www.cldeengineers.com
Maine • New Hampshire • Vermont

91236FRAME.DWG