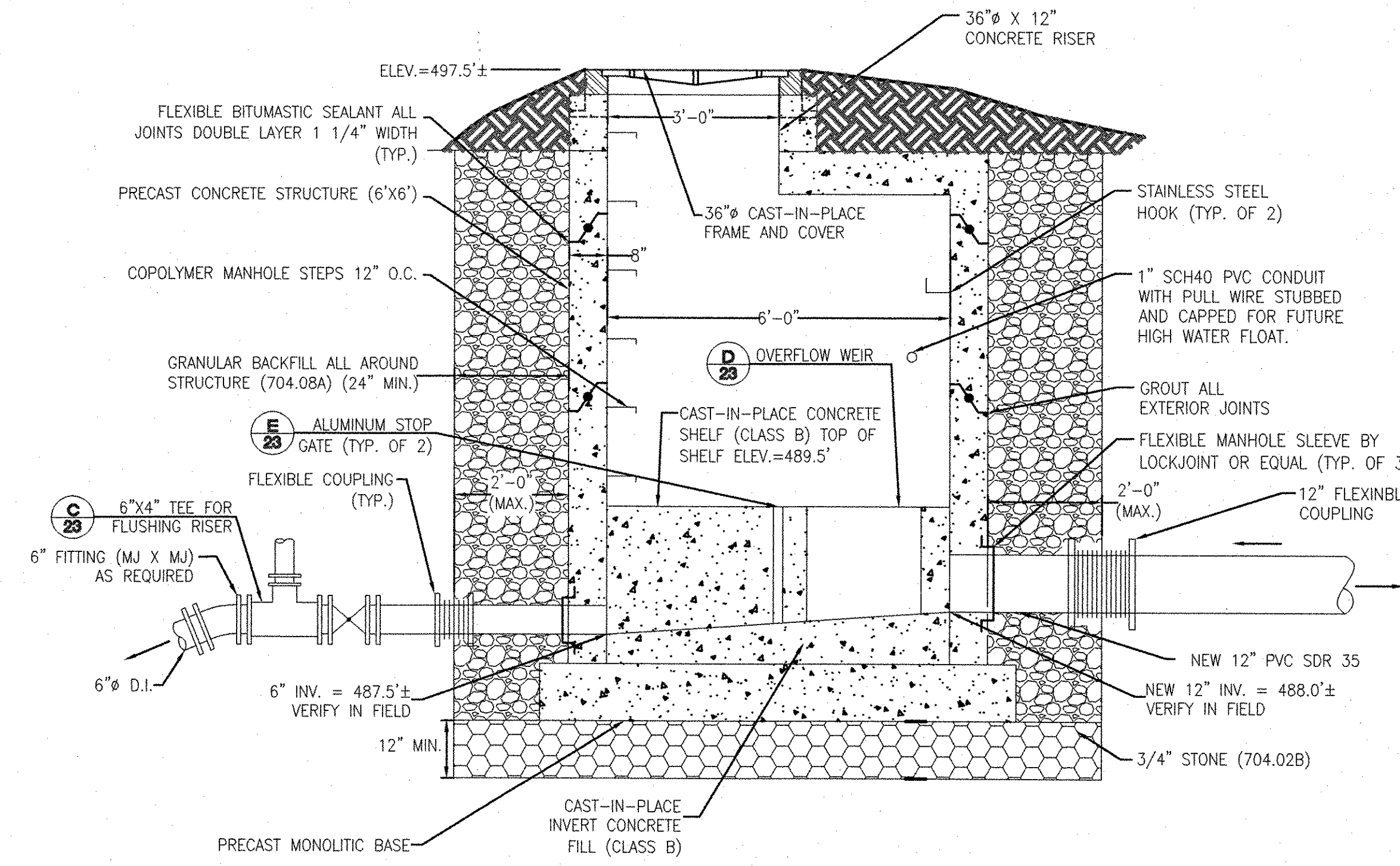
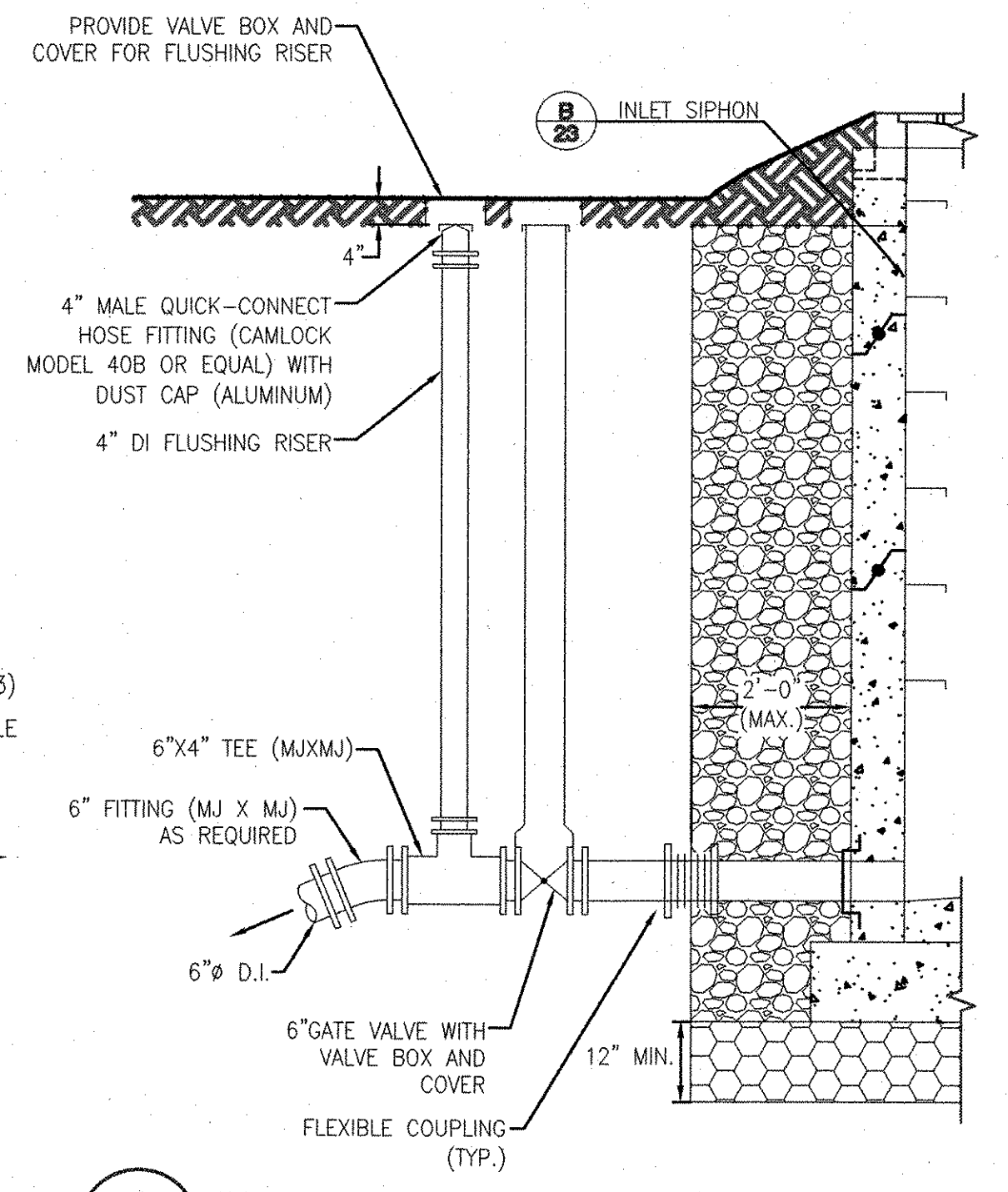


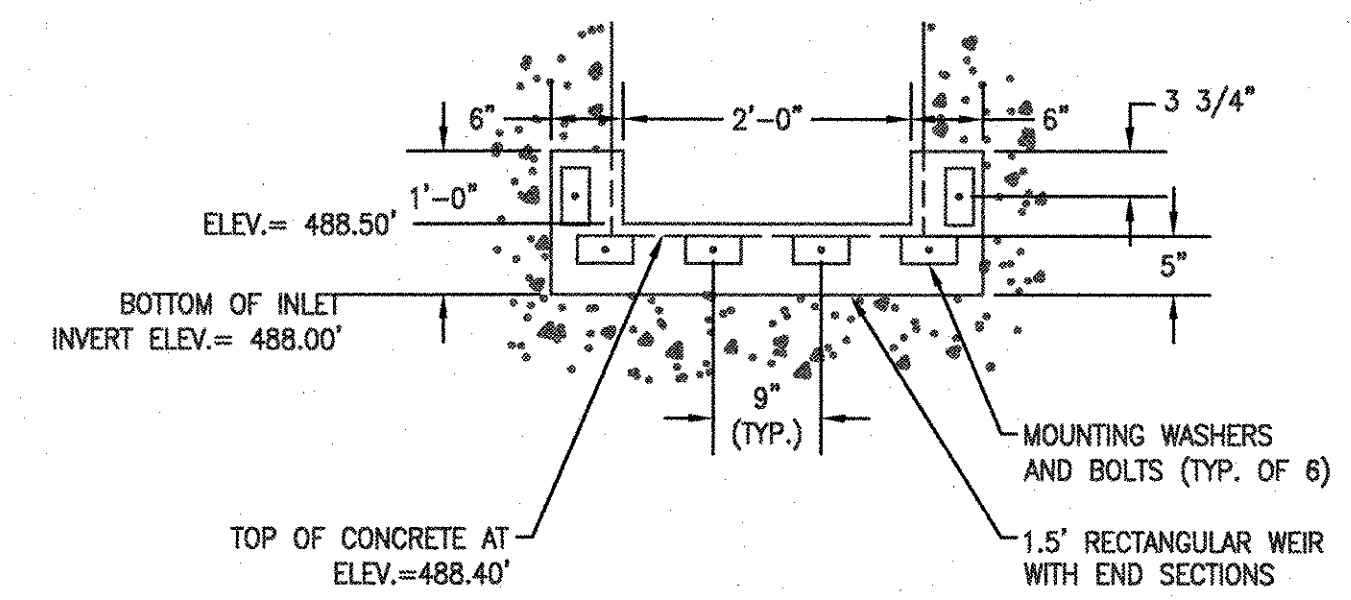
A SECTION - OUTLET SIPHON
SCALE: 1/2"=1'-0"



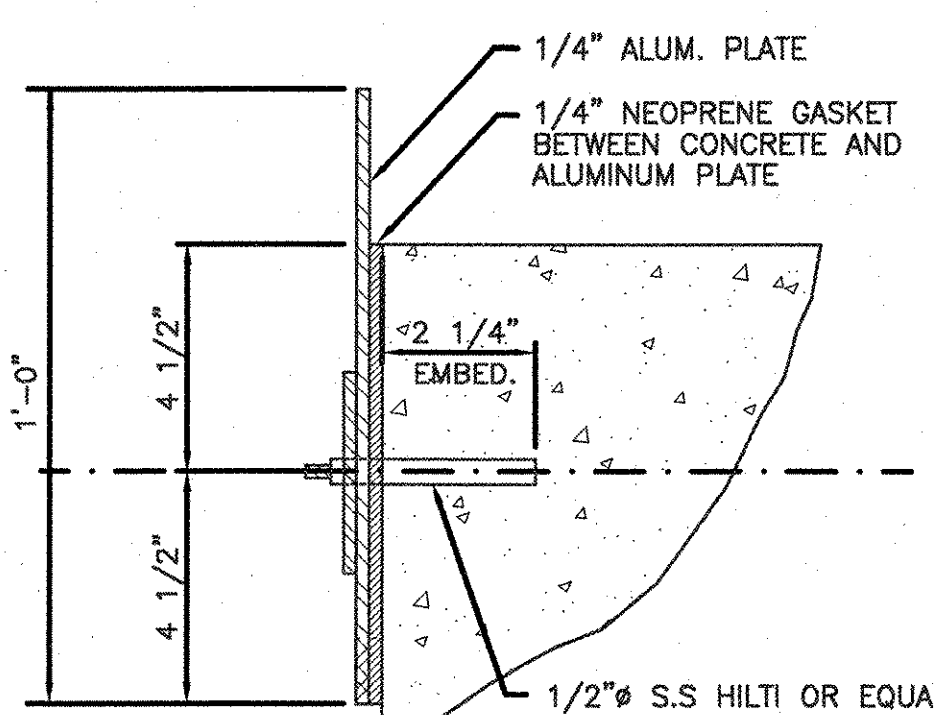
B SECTION - INLET SIPHON
SCALE: 1/2"=1'-0"



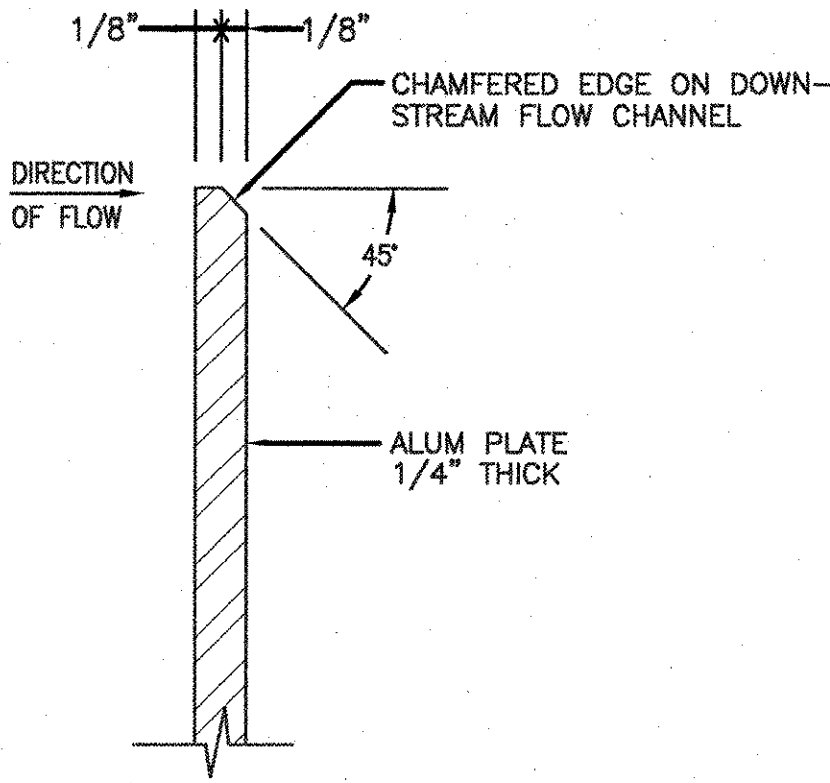
C FLUSHING VALVE AND RISER DETAIL
SCALE: 1/2"=1'-0"



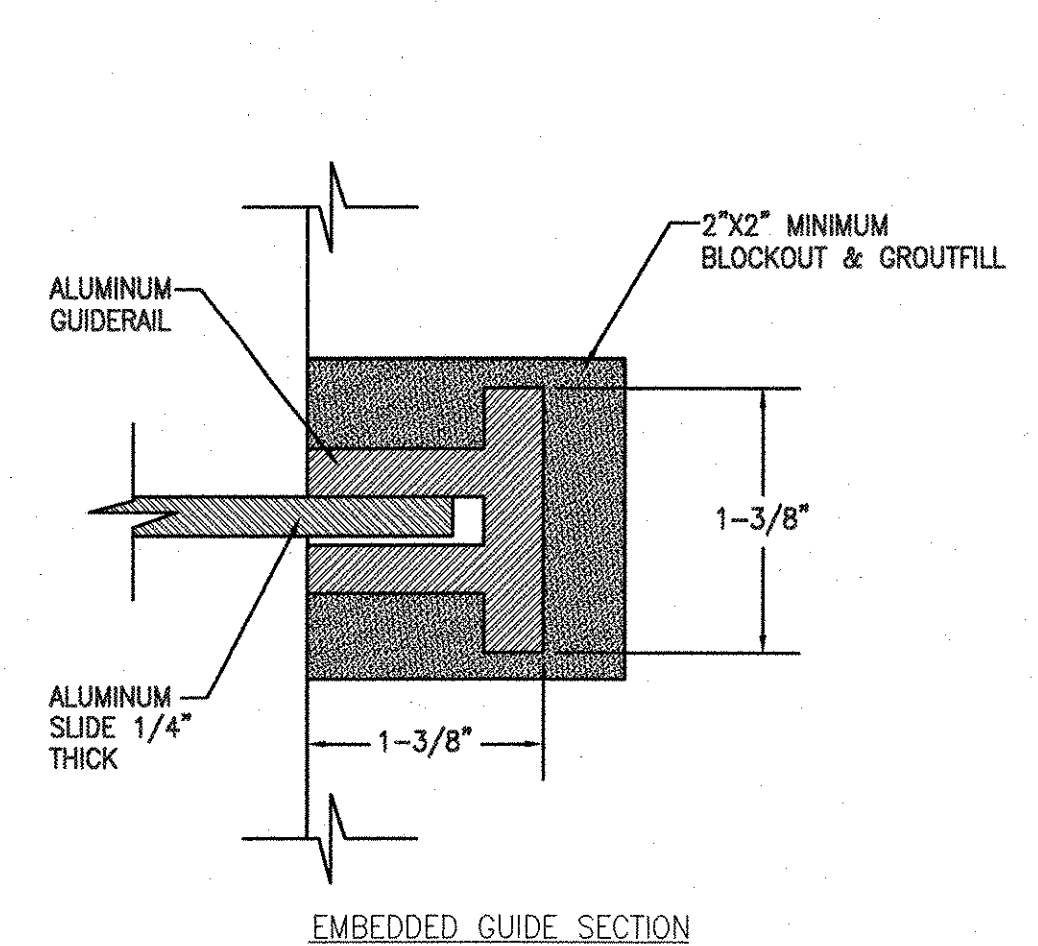
FRONT VIEW
SCALE: 3/4"=1'-0"



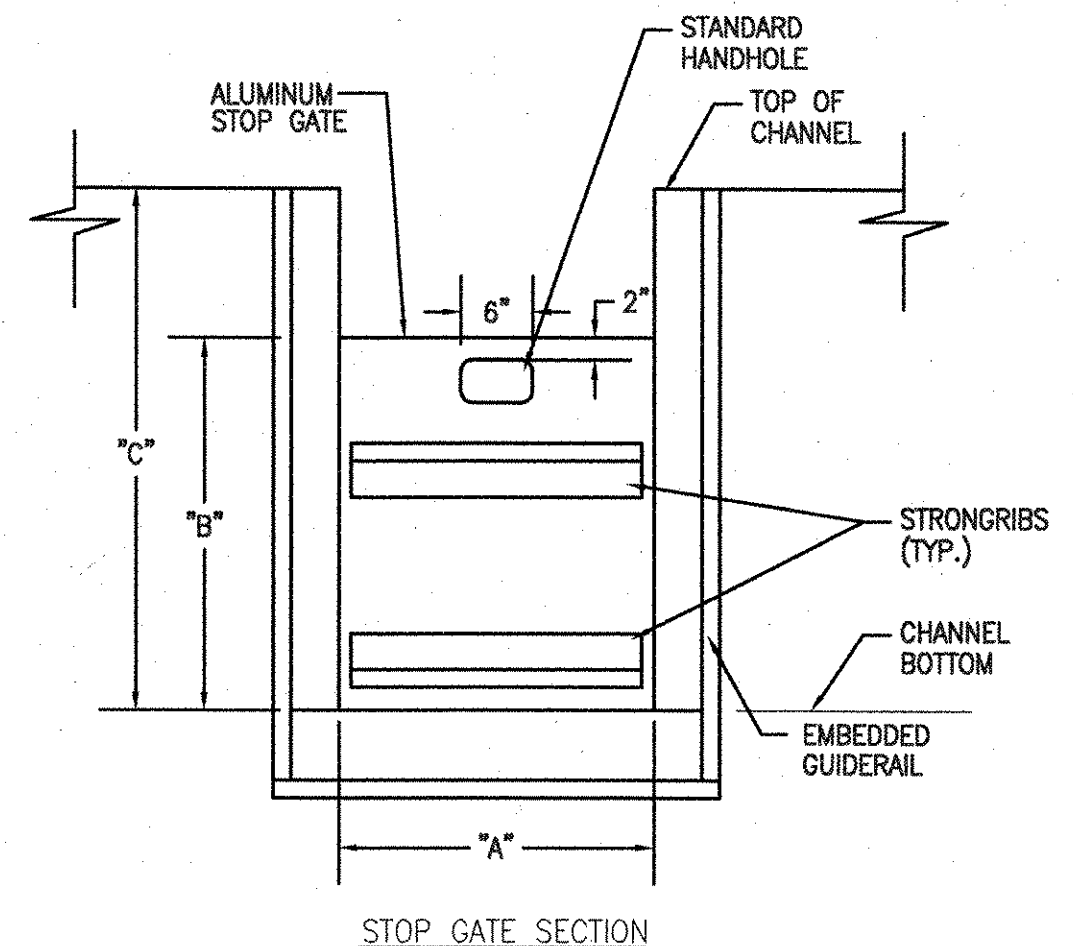
MOUNTING DETAIL-TOP VIEW
SCALE: NONE



ALUMINUM PLATE SECTION
SCALE: NONE



EMBEDDED GUIDE SECTION

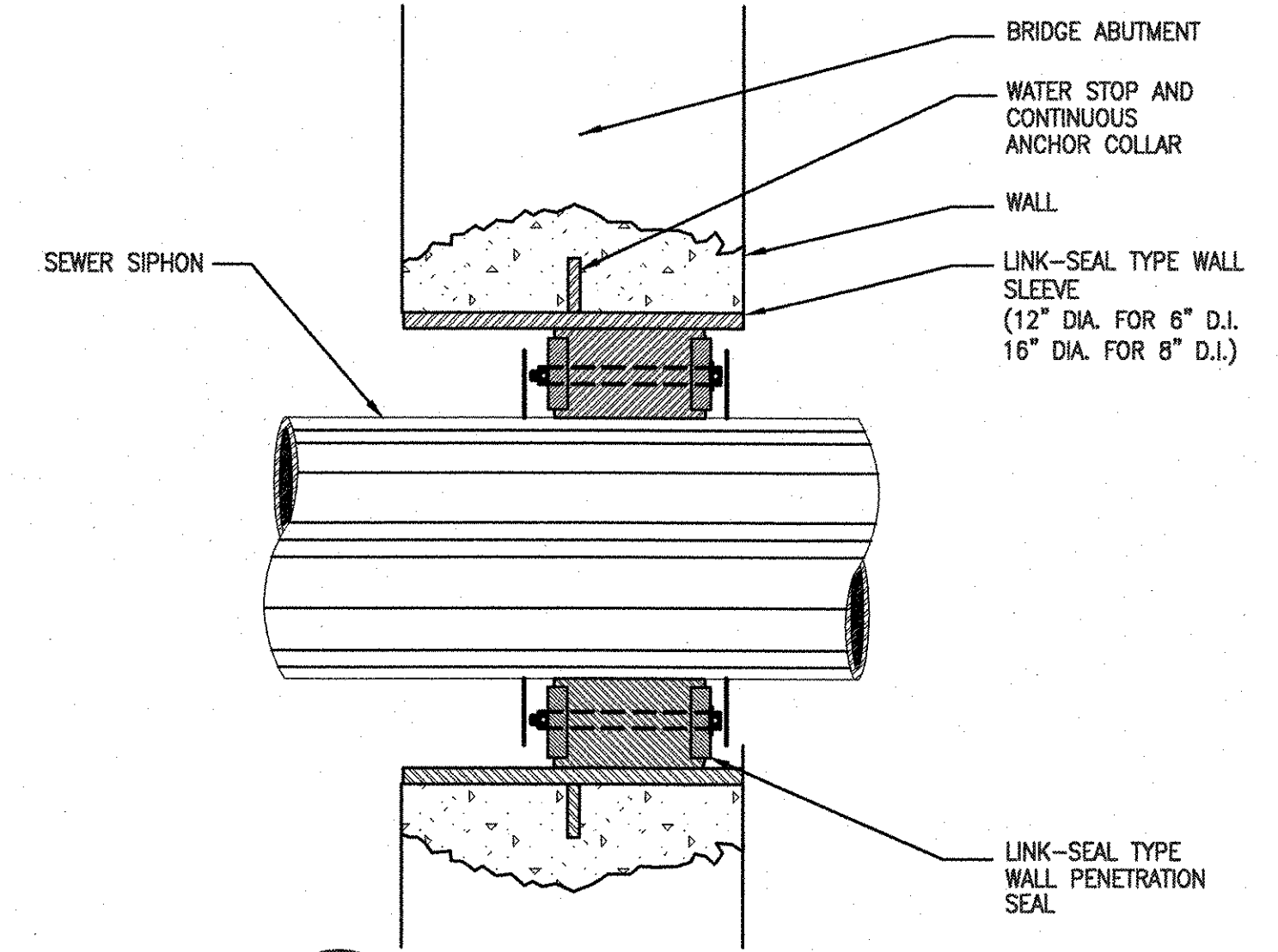


STOP GATE SECTION

STOP GATE AND FRAME SCHEDULE

GATE NO.	LOCATION	"A"	FRAME "B"	"C"	COMMENTS
1	INLET SIPHON	6"	1'-6"	1'-8"	"J" BULB SEALS
2	INLET SIPHON	8"	1'-6"	3'-6"	"J" BULB SEALS
3	OUTLET SIPHON	6"	2'-0"	2'-3"	"J" BULB SEALS
4	OUTLET SIPHON	8"	2'-0"	2'-3"	"J" BULB SEALS

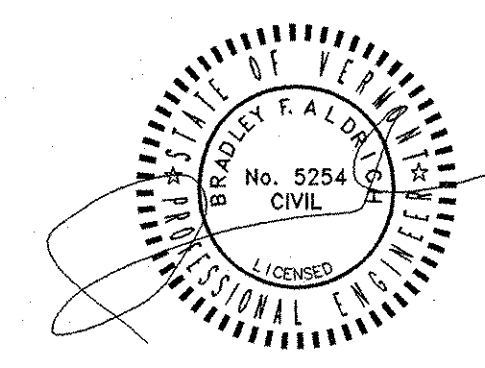
E STOP GATE DETAILS
SCALE: NOT TO SCALE



F LINK-SEAL DETAIL-SEWER SIPHON
SCALE: NONE

DATUM	VERTICAL	NGVD 1929
	HORIZONTAL	N/A

D OVERFLOW WEIR DETAIL
SCALE: AS NOTED



Forcier Aldrich & Associates
Consulting Engineers
8 Market Place, Suite 2
Essex Junction, VT 05495 (802) 879-7733 (802) 879-1742 (Fax)

STATE OF VERMONT
AGENCY OF TRANSPORTATION

Town Of	JOHNSON	Bridge No.	37
Highway No.	VT ROUTE 15	Log Sta.	
		Surv. Sta.	

VT ROUTE 15 OVER THE GHION RIVER

WASTEWATER DETAILS

Designed By	JJD	Drawn By	JEB/JEN
Checked By	Date	Bridge Design Supervisor	Date
JJD	1-07	J. Byatt	11/06

PROJECT	JOHNSON	PROJECT NO.	BRF 030-2(17)S
---------	---------	-------------	----------------

I.G.C. Info.
Bridge Sheet No. Sheet 23 Of 85