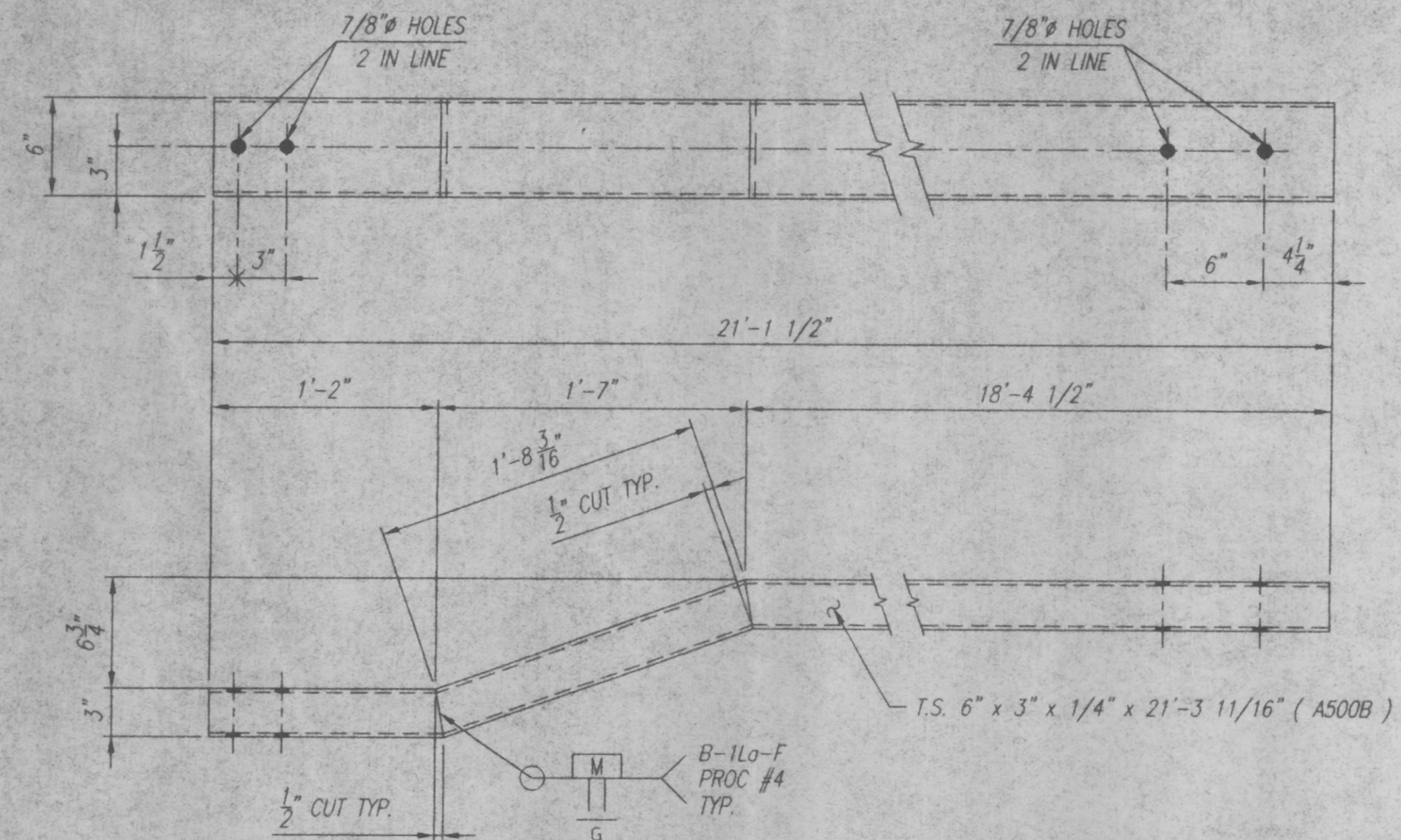
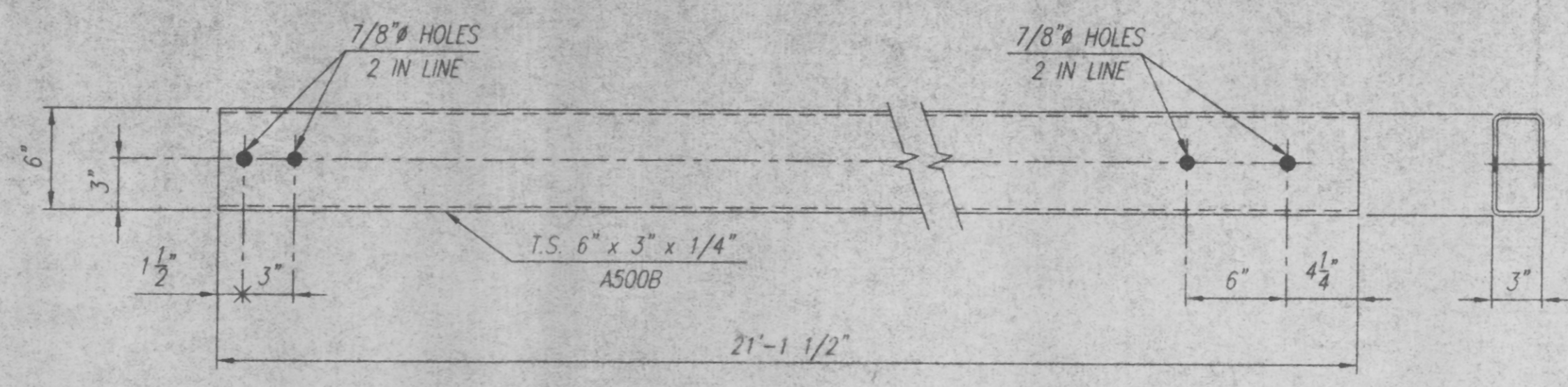


BILL

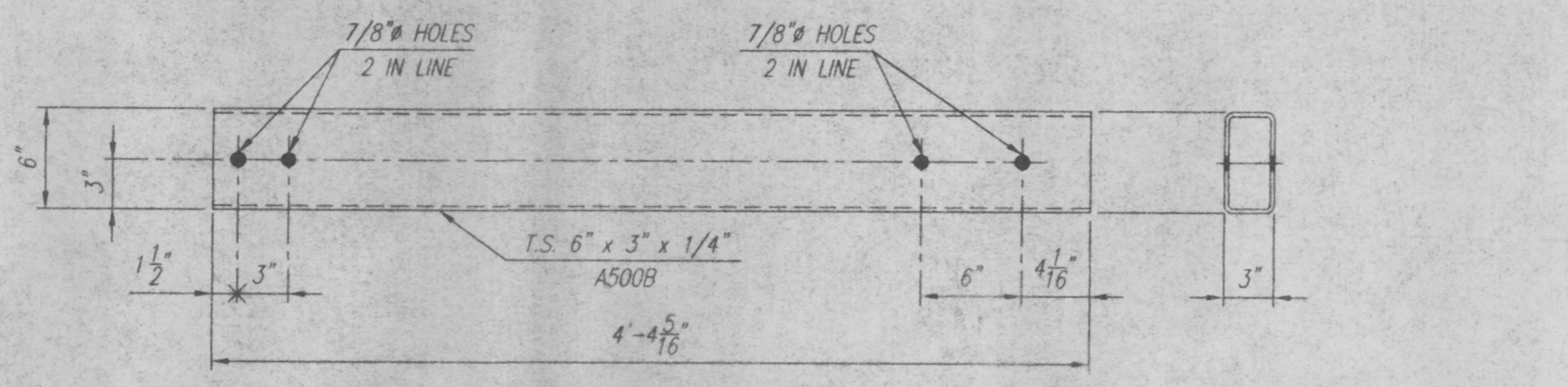
PRODUCT CODE	QTY	DESC
		RAILS
76654A	2	TS 6 x 3 x 1/4 x 21'
76655A	2	TS 6 x 3 x 1/4 x 4'
76656G	2	TS 6 x 3 x 1/4 x 21'
76657G	2	TS 6 x 3 x 1/4 x 4'
76658G	14	TS 6 x 3 x 1/4 x 29'
76659G	2	TS 6 x 3 x 1/4 x 20'
76660G	2	TS 6 x 3 x 1/4 x 9'



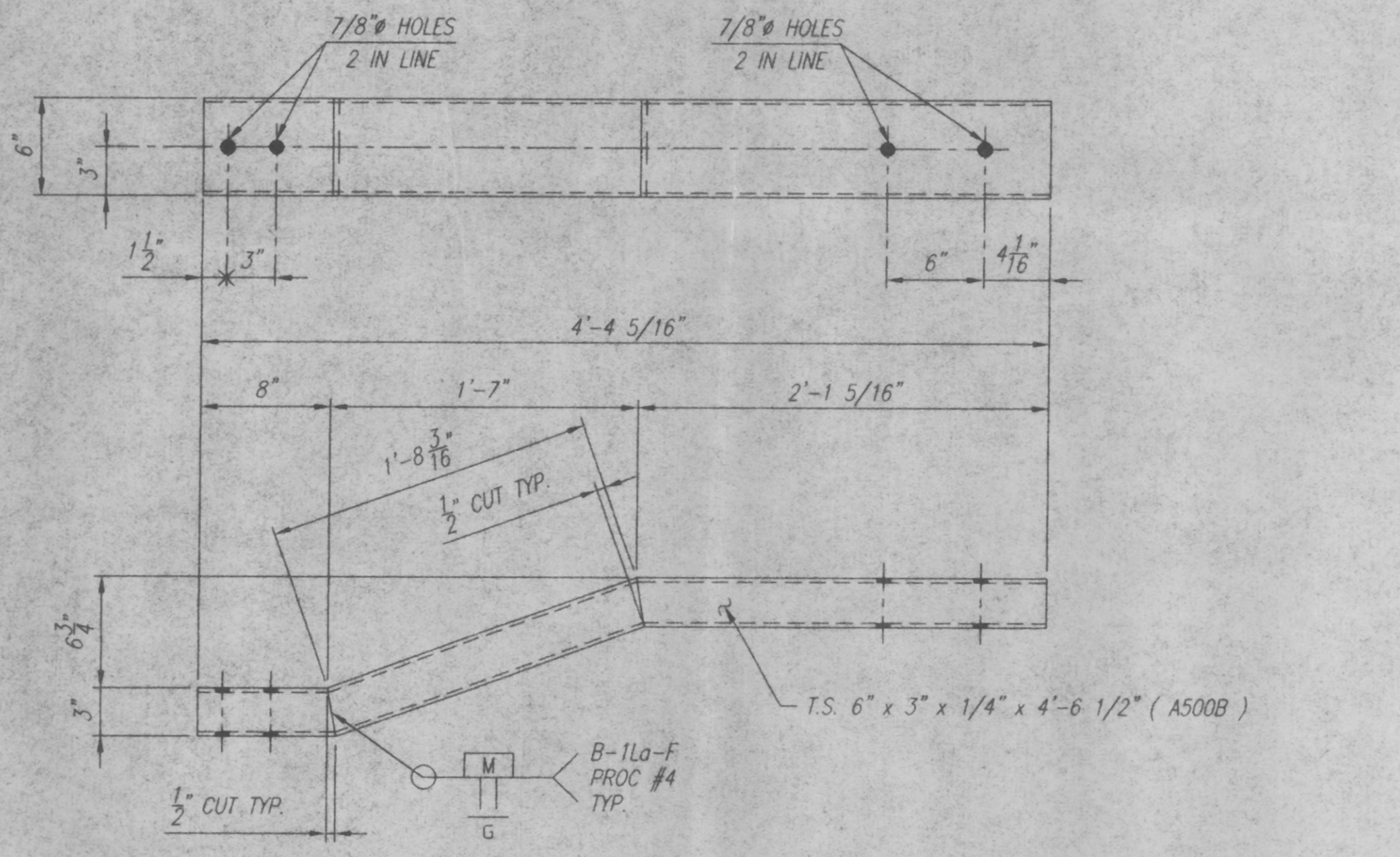
2 ~ END RAILS ~ 76654A



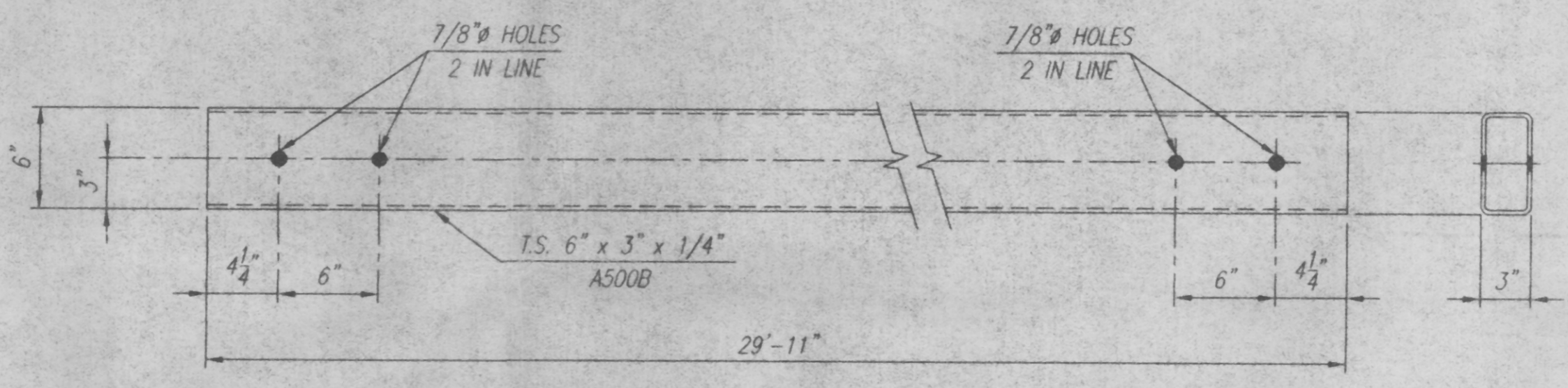
2 ~ END RAILS ~ 76656G



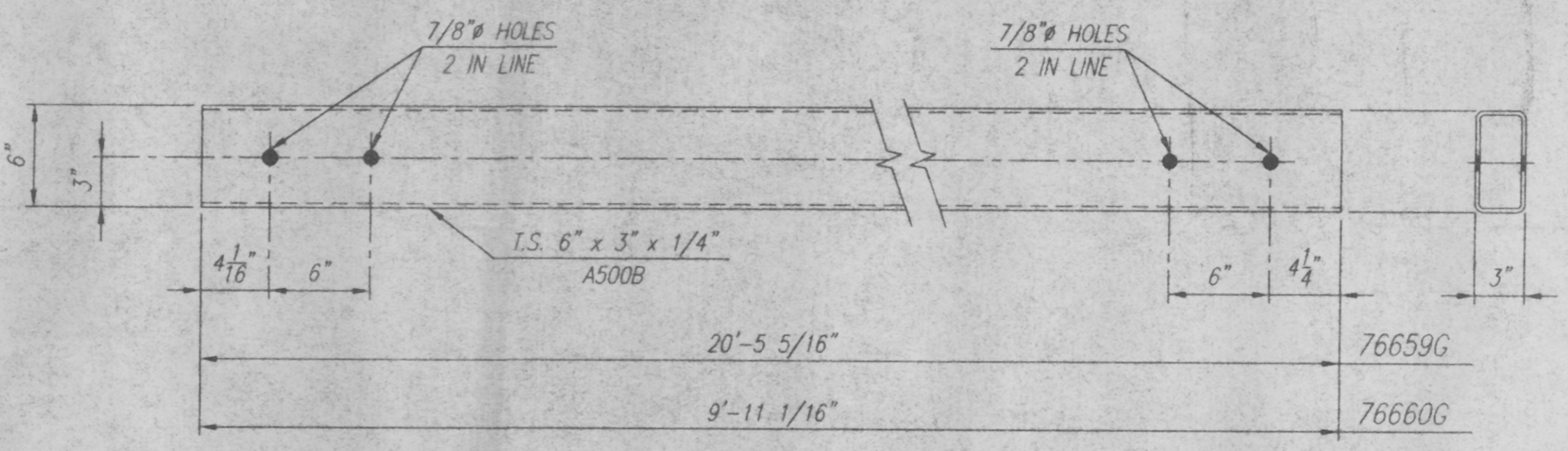
2 ~ END RAILS ~ 76657G



2 ~ END RAILS ~ 76655A



14 ~ RAILS ~ 76658G



2 ~ RAILS (AS NOTED) ~ 76659G
2 ~ RAILS (AS NOTED) ~ 76660G

NOTES:
1. ALL POSTS TO BE CHAPPY V-
2. INSPECTED BY CONWELL
3. FINISH: GALV. A123
4. ALL POSTS MATERIAL, INCLUDING
MINIMUM CHAPPY V-NOTCH TOUGH
5. ALL WELDING SHALL CONFORM
SPECIFICATIONS SECTION 506.10.

APPROV

ERECTION DETAILS ARE ON SHEETS E1 & E2

REV.	CHK'D	BY	DATE
			02/07/97 SENT FOR APPROVAL

STATE OF VERMONT
AGENCY OF TRANSPORTATION
BOX BEAM BRIDGE
TOWN OF BRAINTREE, COULTON
VT ROUTE 12A, BRIDGE
PROJECT: BRS 0

CUSTOMER F.R. LAFAYETTE, INC.

This drawing and the information shown thereon is the sole property of TRINITY INDUSTRIES, INC. Neither the drawing nor such information is to be used for any purpose other than that for which it was specifically furnished by TRINITY INDUSTRIES, INC. nor is any reproduction authorized without written permission.

