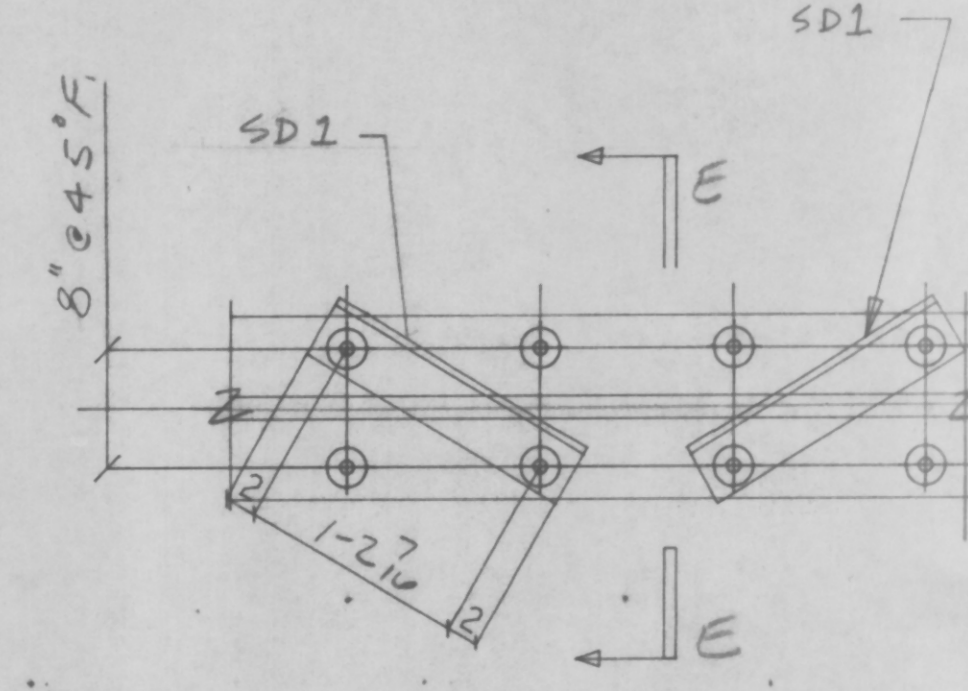
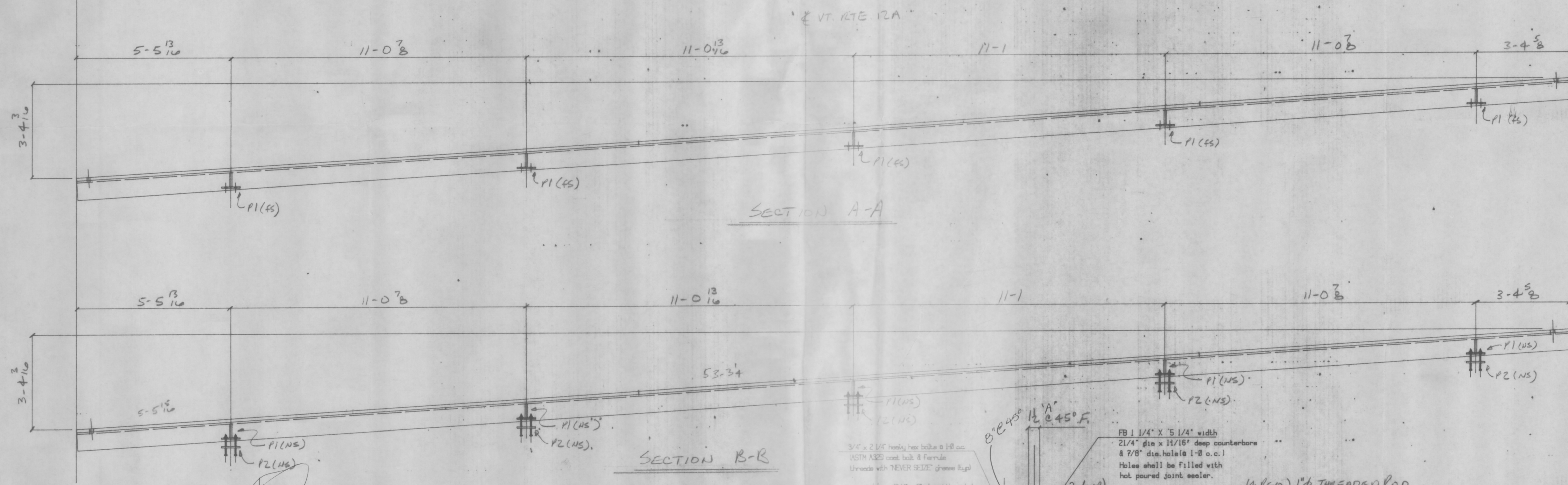
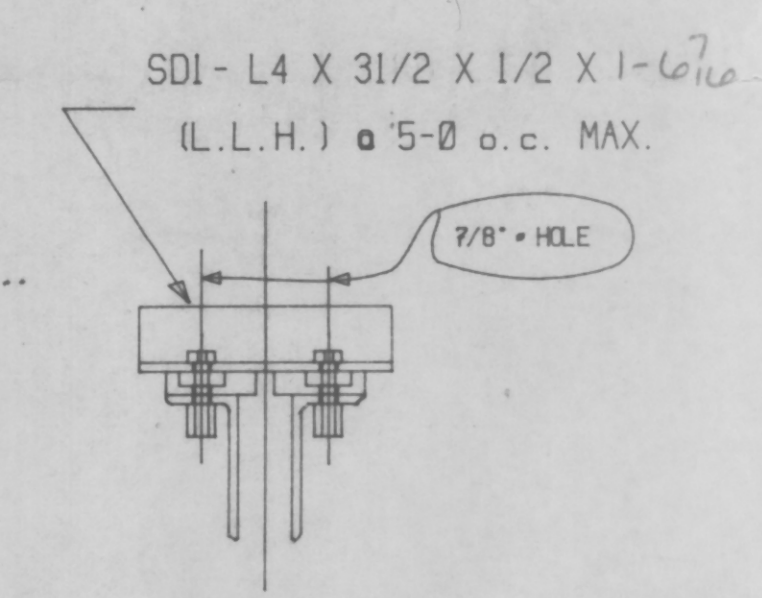


FIELD ADJUST CHART	
TEMP.	DIM. "A"
0°F	1 7/8"
15°F	1 3/4"
30°F	1 5/8"
45°F	1 1/2"
60°F	1 3/8"
75°F	1 1/4"
90°F	1 1/8"
105°F	1"

PLAN-EXPANSION JOINT @ ABUT. #1-(EJ-1)

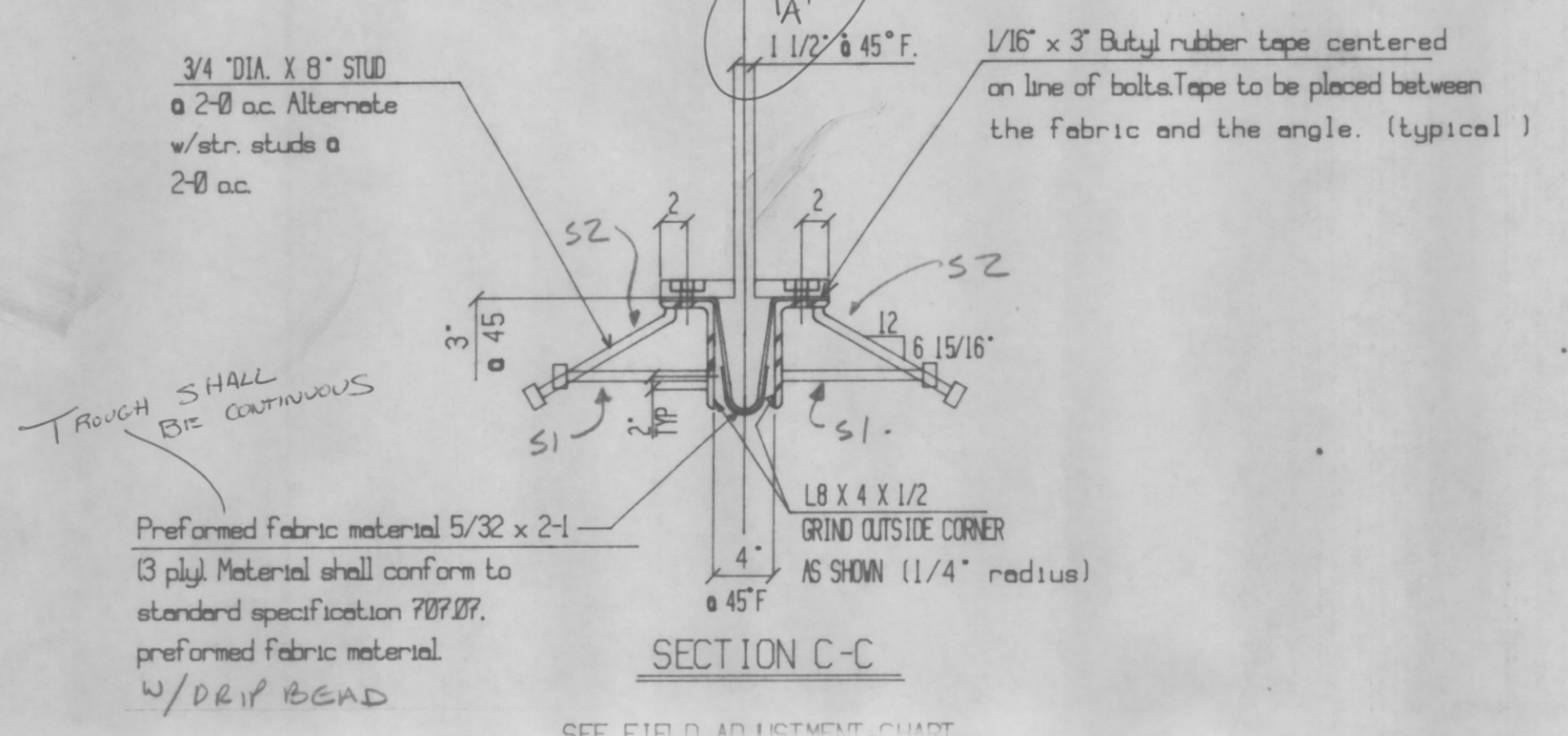


SHIPPING DEVICE DETAIL



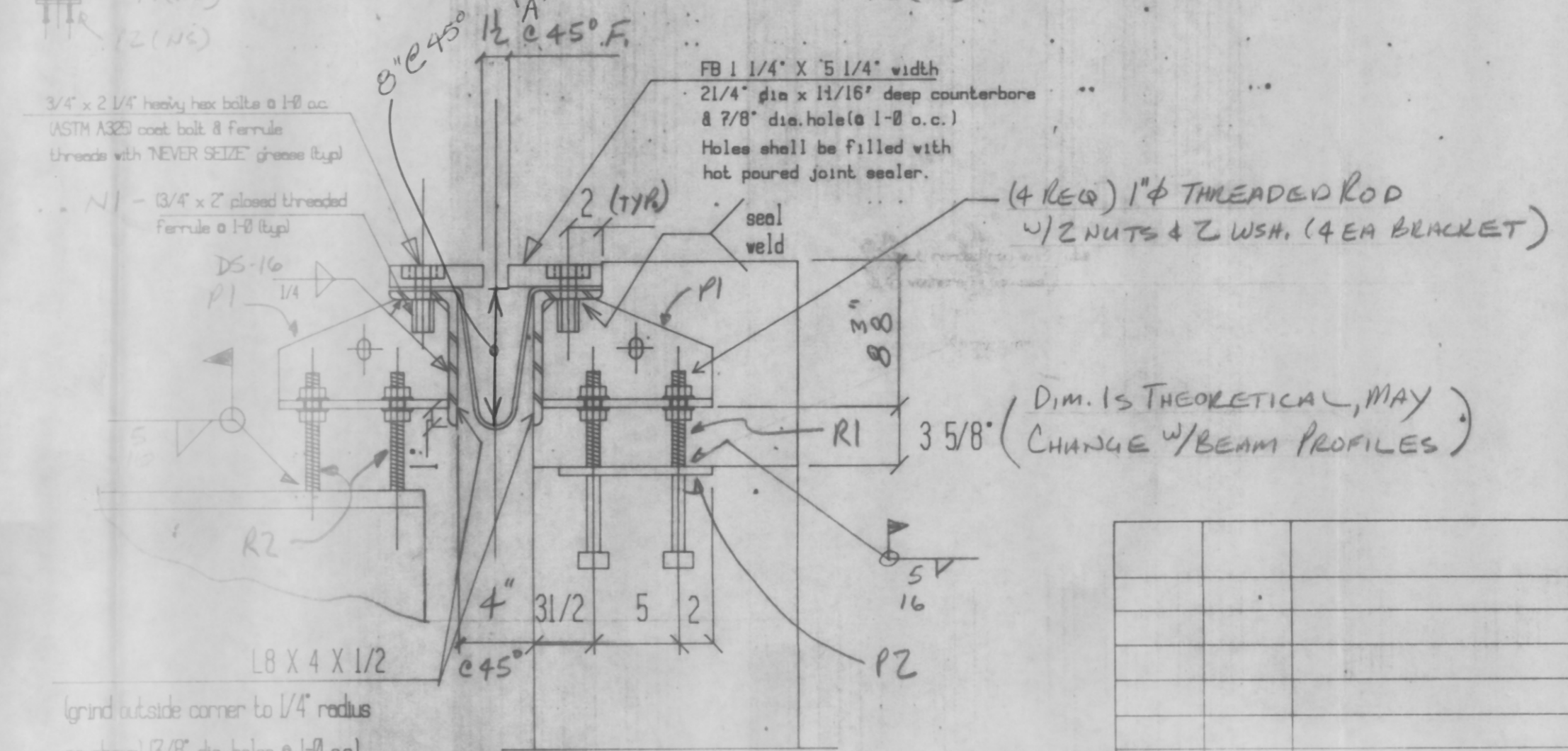
SECTION E-E

Note: Make sure SPACING OF STUDS ARE ADJUSTED FOR CLEARANCE IN VICINITY OF BRACKETS AND BLOCKOUT FOR DOWNSPOUT.



SECTION C-C

SHOP DRAWING REVIEW
 REVIEW IS ONLY FOR GENERAL CONFORMANCE WITH DESIGN CONCEPT
 PROVIDE AS SUBMITTED
 REVISE AND RESUBMIT
 REJECTED - SEE REMARKS
 THIS REVIEW IS ONLY FOR GENERAL CONFORMANCE WITH THE DESIGN CONCEPT OF THE PROJECT AND GENERAL COMPLIANCE WITH DOCUMENTS. ANY ACTION ON CONTRACT COMMENTS SHOWN AND/OR NOTED ARE SUBJECT TO THE REQUIREMENTS OF THE CONTRACT DOCUMENTS. CONTRACTOR IS RESPONSIBLE FOR DETERMINING THE ACCURACY AND COMPLETENESS OF DETAILS, SUCH AS DIMENSIONS AND INSTALLATION OR PERFORMANCE OF EQUIPMENT OR SYSTEMS. THE SEASONS, METHODS, TECHNIQUES, SEQUENCES AND PROCEDURES OF FABRICATION, INCLUDING SAFETY PRECAUTIONS AND PROCEDURES, AND THE SELECTION OF A SPECIFIC ITEM SHALL NOT INDICATE APPROVAL OF AN ASSEMBLY OF WHICH THE ITEM IS A COMPONENT. FURTHER, ENGINEER'S REVIEW RELIEVE THE CONTRACTOR OF ITS OBLIGATIONS RESPECT TO THE PRELIMINARY AND/OR APPROVAL OF SUCH SUBMITTALS.
 COSTELLO CONSULTING ENGINEERS
 BY: RMR
 DATE: 12/12/96



SECTION D-D

REV. NO.	DATE	DESCRIPTION
1	12/12/96	HOLES 1 3/16 ONLY DATE: PAINT: GALVANIZED

PLAN-EXPANSION JOINT @ ABUT. #1-(EJ-1)

DATE SUB.	PROJECT	VT. RTE. 12A OVER 3RD BRANCH OF THE WHITE RIVER
DATE APP.	LOCATION	BRAINTREE, VT.
DATE DIST.	ARCHITECT	
	ENGINEER	
	CUSTOMER	MILLER CONST. CO.

MERRIMACK SHEET METAL
 119 HALL STREET
 CONCORD, N.H. 03301
 TEL. (603) 224-7766

DR BY: KJM
 REV BY:
 JOB NO. #2202
 DWG NO. E1